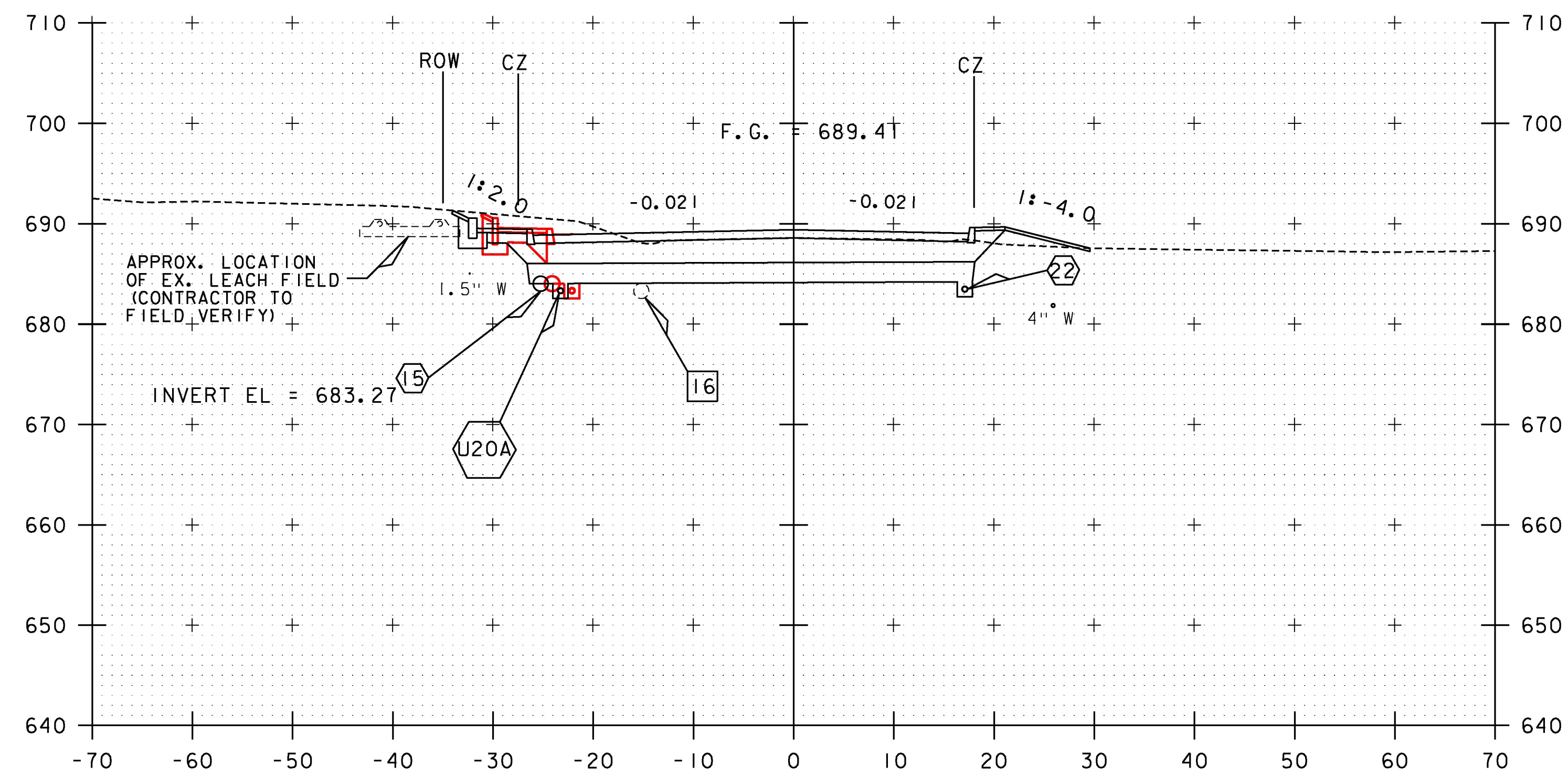
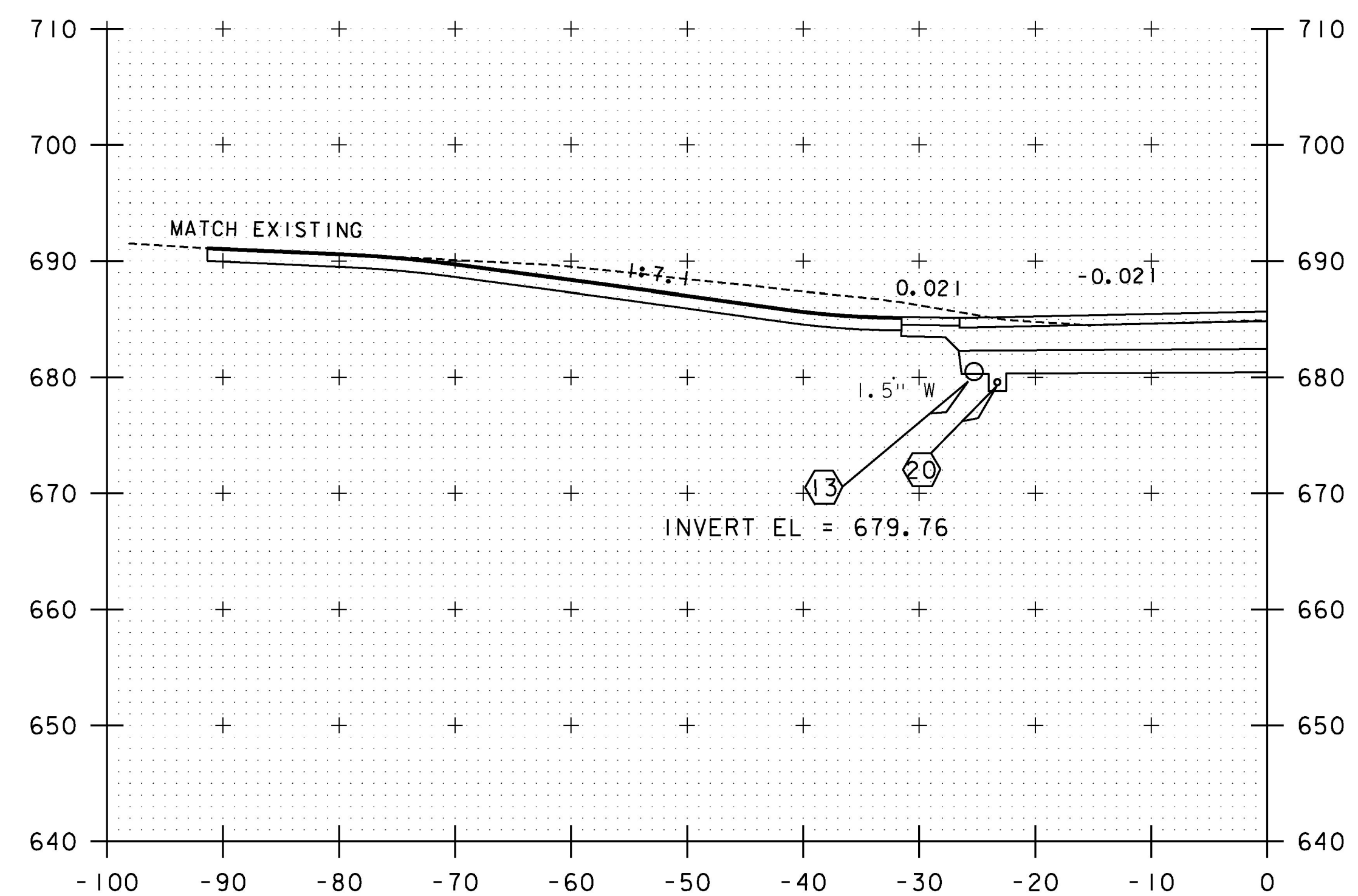


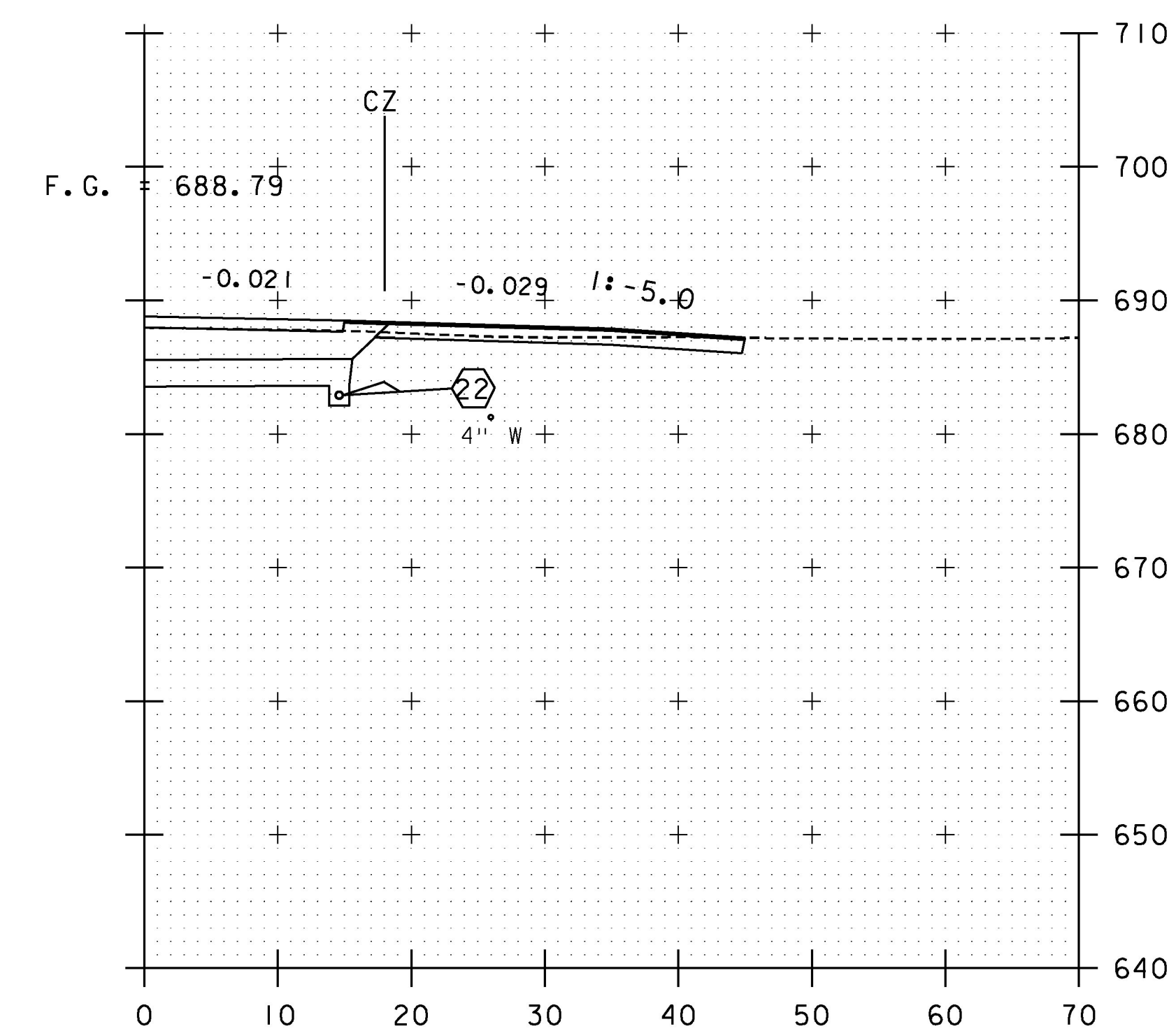
146+00



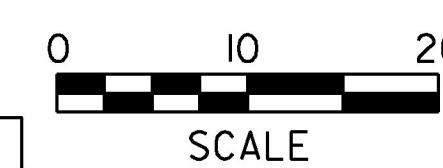
146+50



145+96
(DRIVE LEFT)



146+40
(DRIVE RIGHT)



Stantec

STA. 146+00 TO STA. 146+50

PROJECT NAME: EAST MONTPELIER	PROJECT LEADER: T. KNIGHT
PROJECT NUMBER: BRF 037-1(7)	DESIGNED BY: C. GENDRON
FILE NAME: 32_Cross Sections.dgn	US 2 CROSS SECTIONS UXS-4
PLOT DATE: 7/28/2017	SHEET 6 OF 6
DRAWN BY: C. GENDRON	CHECKED BY: K. RICHARDSON