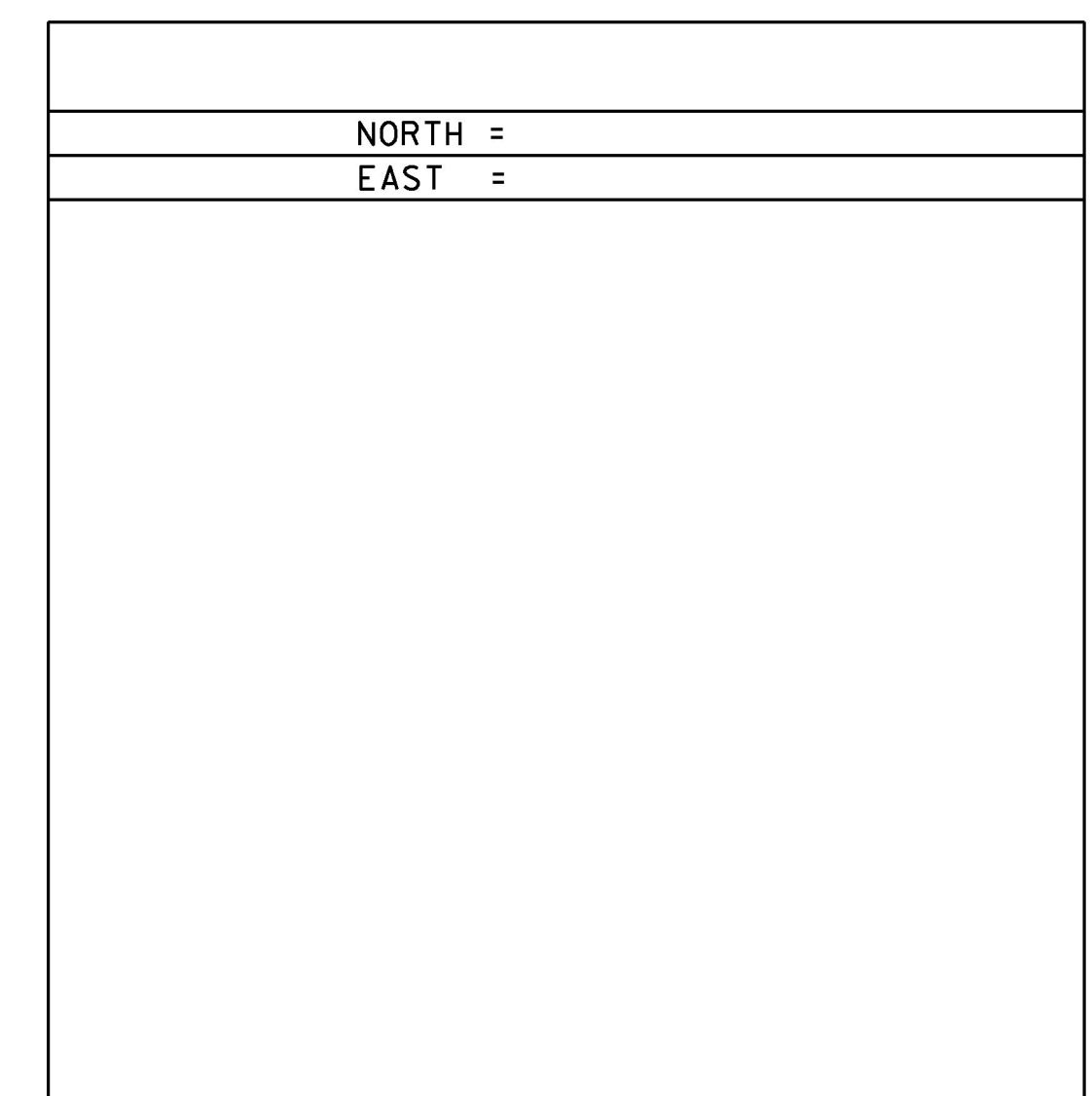
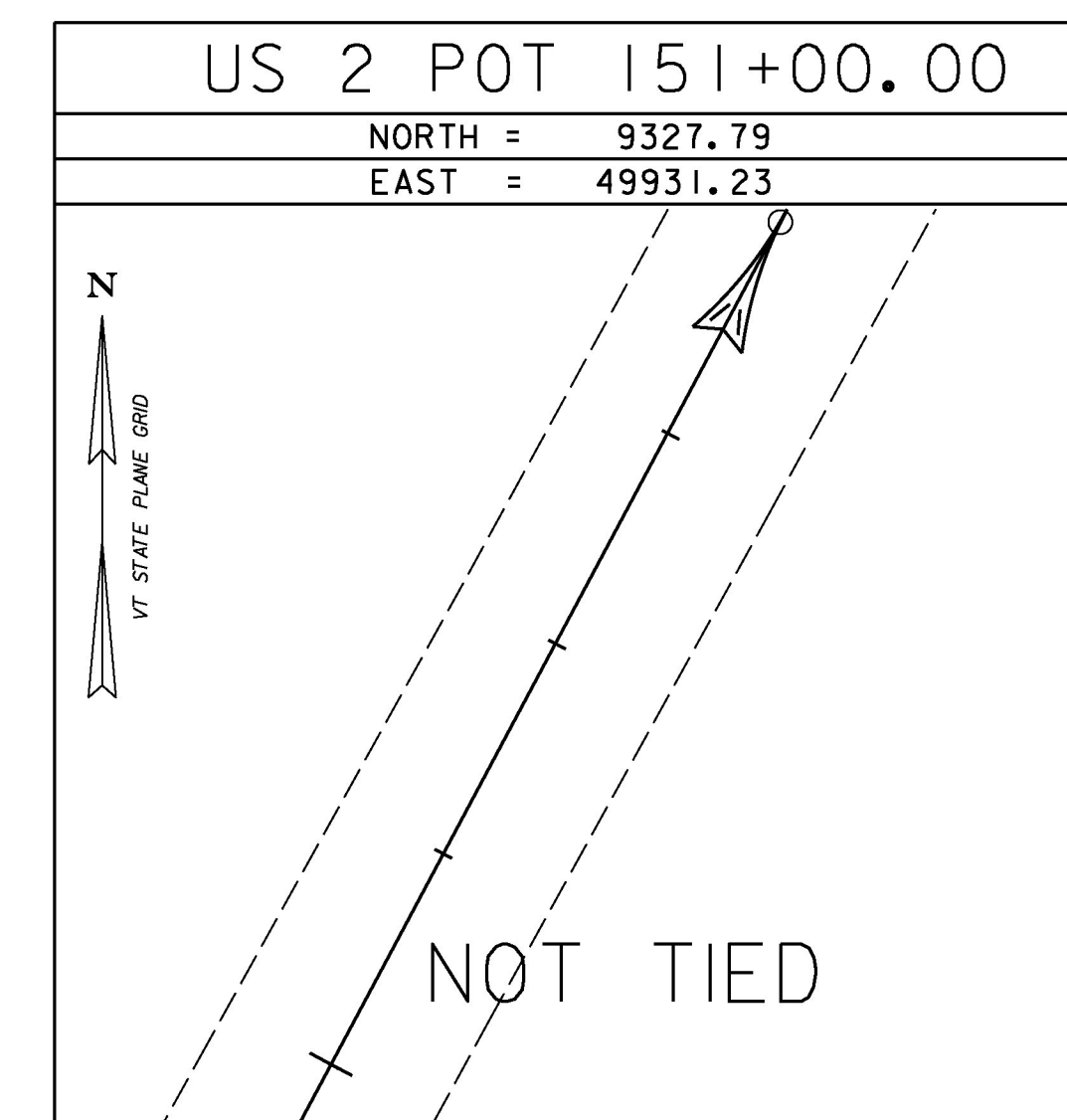
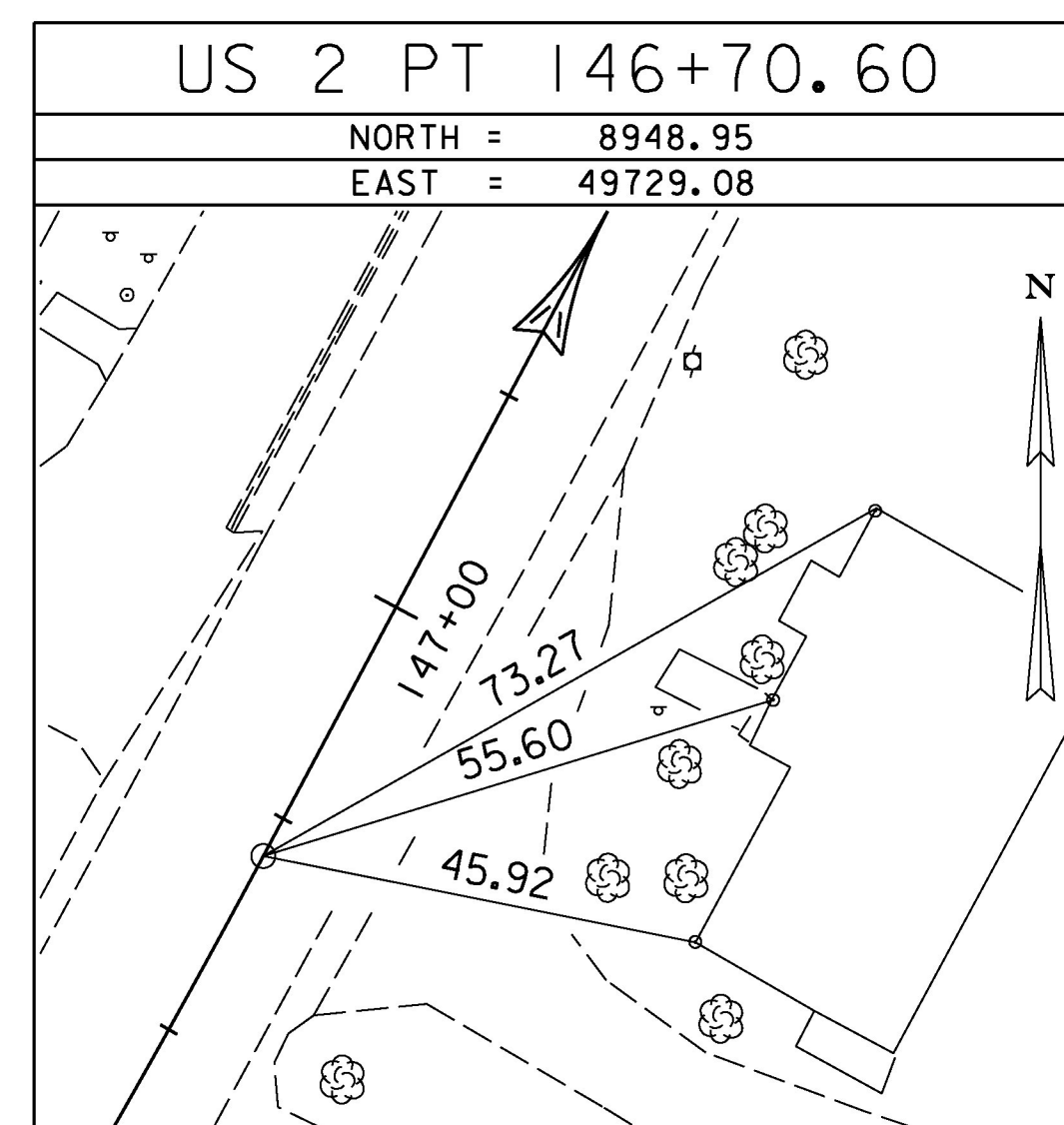
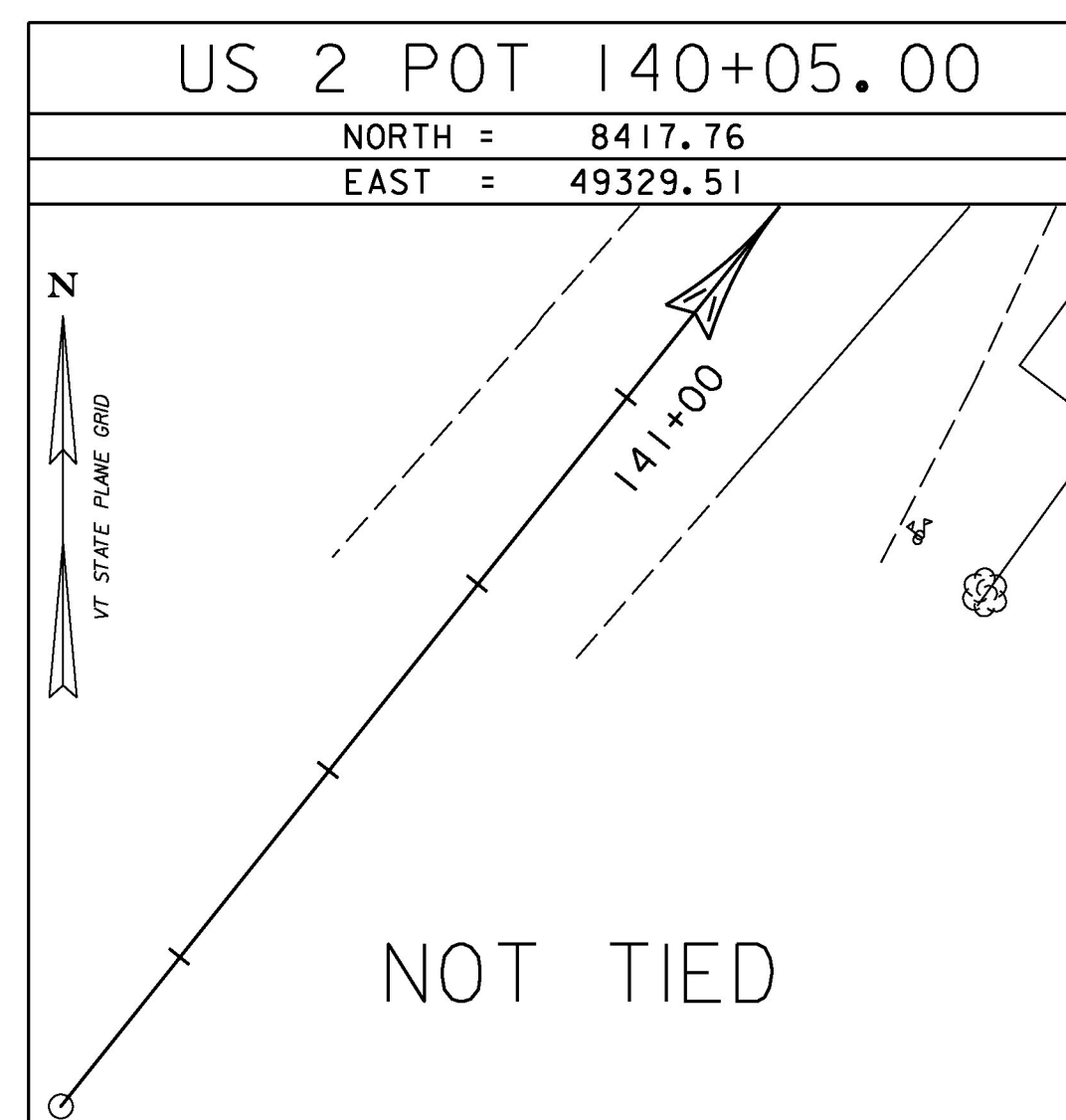


ALIGNMENT TIES



DATUM	
VERTICAL	NAVD 88
HORIZONTAL	NAD 83 (92)
ADJUSTMENT	Compass

PROJECT NAME:	EAST MONTPELIER
PROJECT NUMBER:	BRF 037-1(7)
FILE NAME: 05_Survey Tie.dgn	PLOT DATE: 2/17/2017
PROJECT LEADER: T. KNIGHT	DRAWN BY: VTRANS
DESIGNED BY: VTRANS	CHECKED BY: VTRANS
SURVEY TIE SHEET - TIE 2	SHEET 16 OF 158