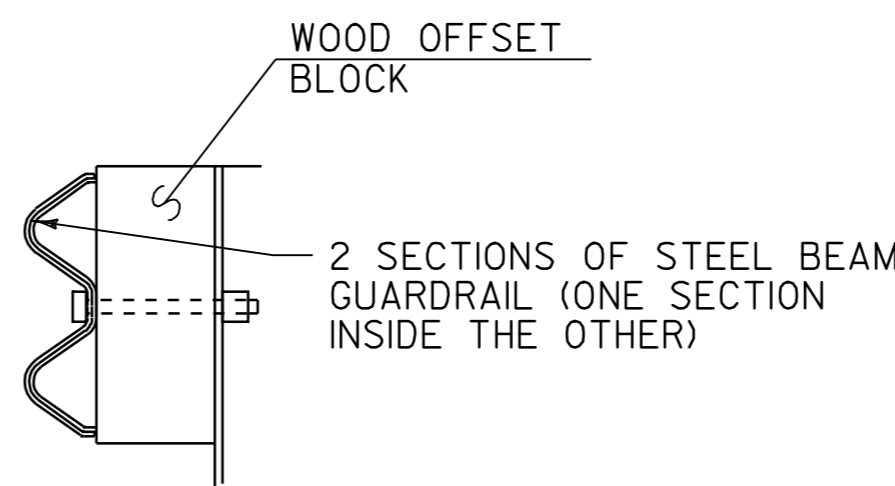
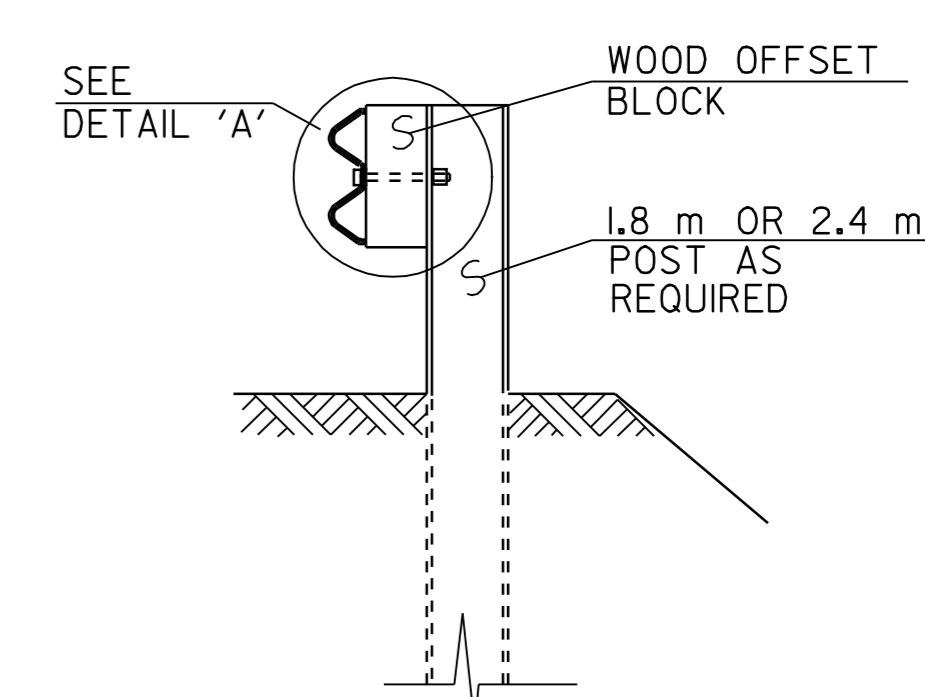


DETAIL A
NOT TO SCALE

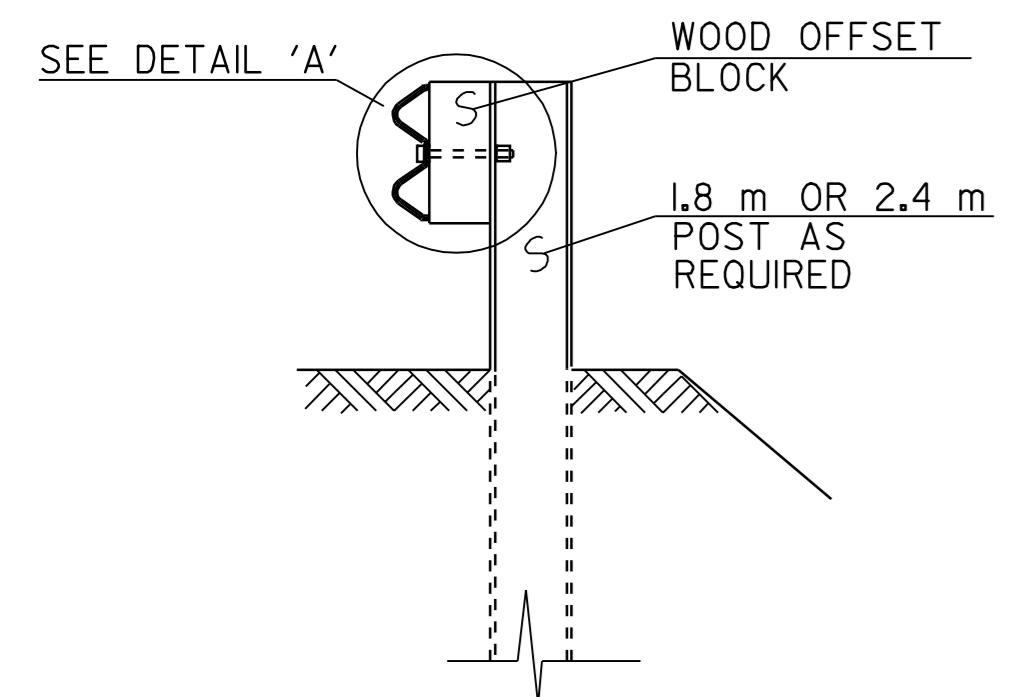
- NOTES**
1. SEE STANDARD G-IM FOR STEEL BEAM GUARDRAIL DETAILS.
 2. THIS WORK SHALL BE PAID UNDER ITEM 621.20 STEEL BEAM GUARDRAIL AT A PAY FACTOR OF 1.0.
 3. THIS DETAIL TO BE USED AS INDICATED ON THE ITEM DETAIL SUMMARY SHEETS OR AS DIRECTED BY THE RESIDENT ENGINEER.



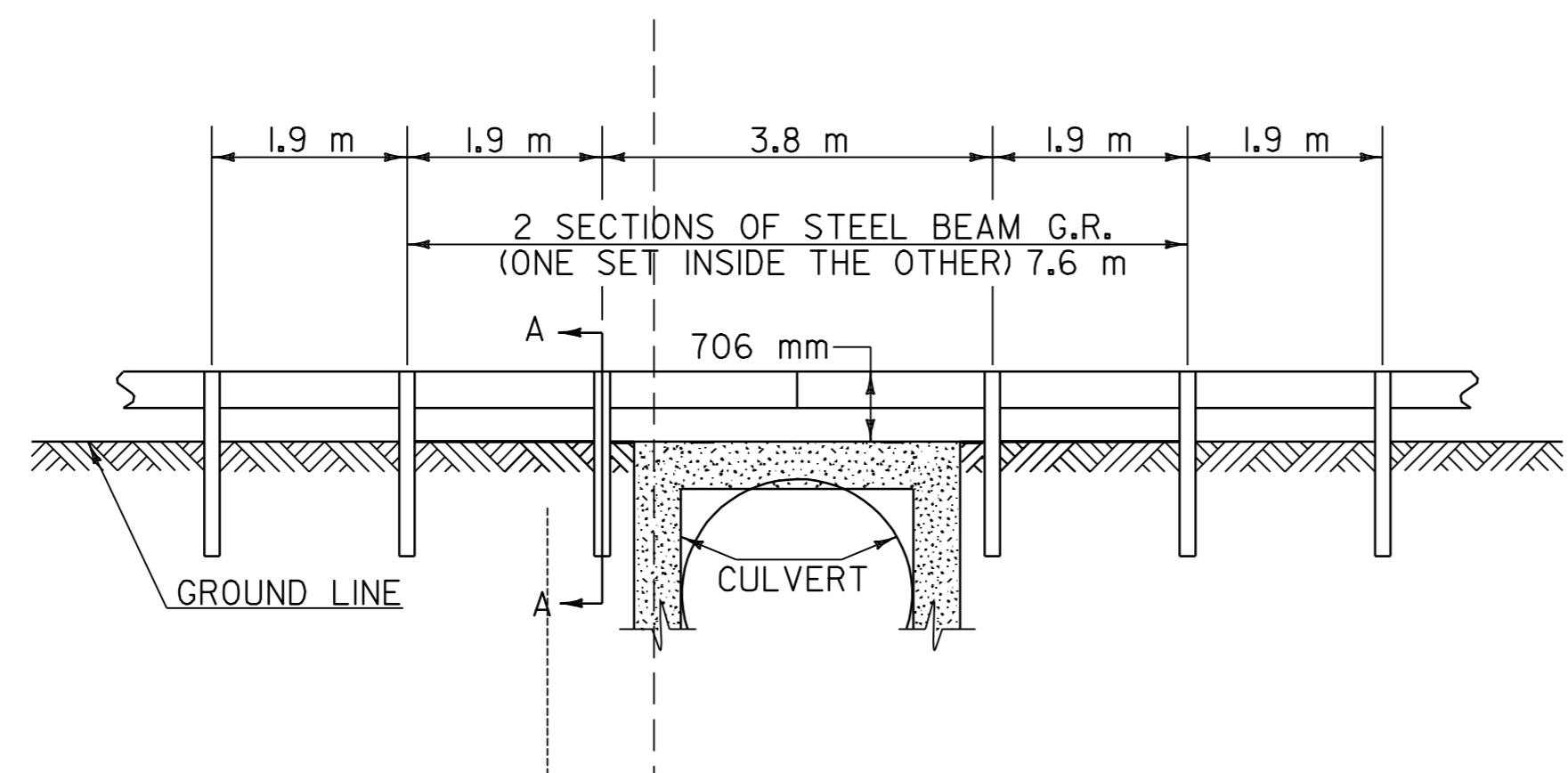
DETAIL A
NOT TO SCALE



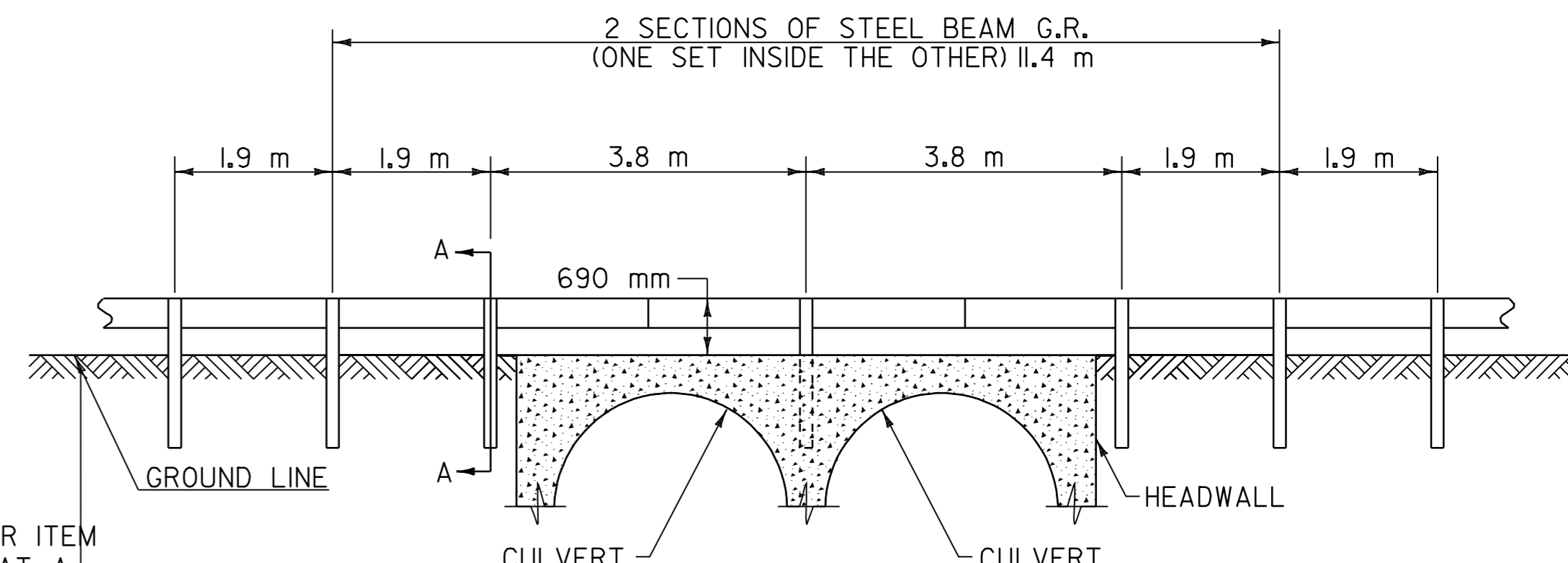
SECTION A-A
NOT TO SCALE



SECTION A-A
NOT TO SCALE

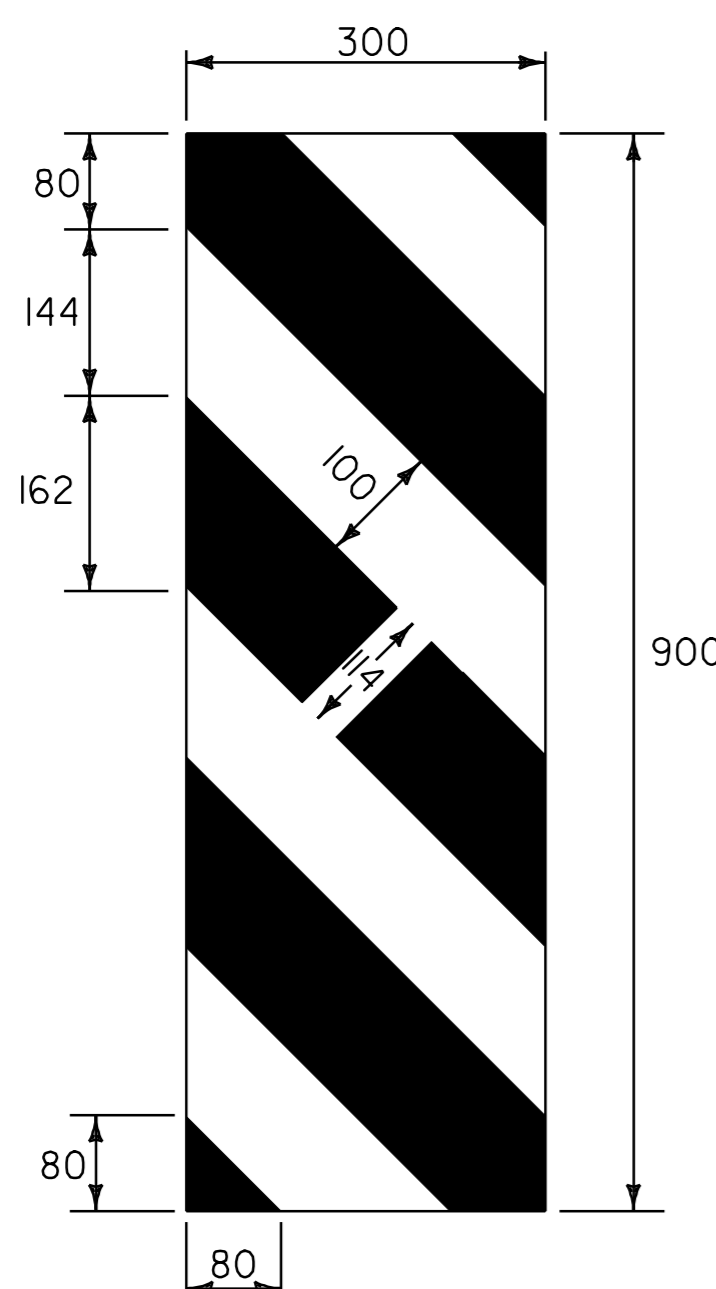


DETAIL OF STEEL BEAM GUARDRAIL AT SMALL CULVERTS
BR 146 HANCOCK STA. 3+830.239 RT
NOT TO SCALE

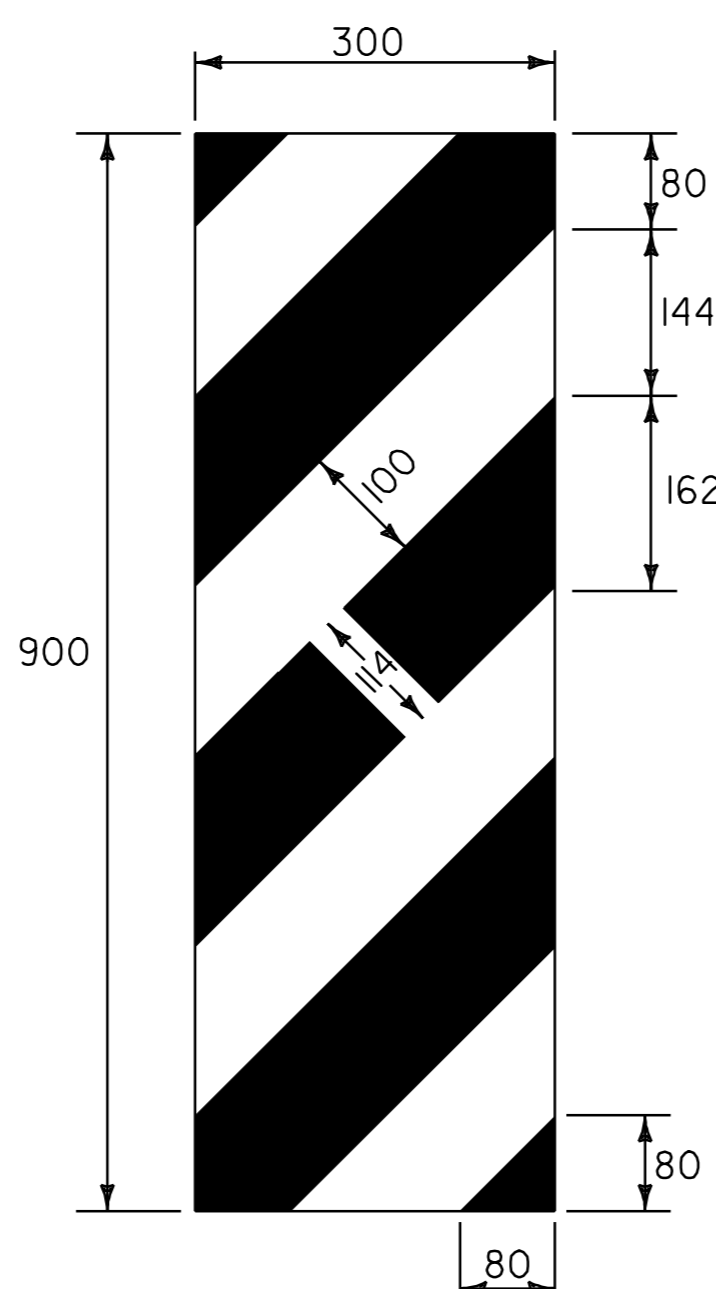


DETAIL OF STEEL BEAM GUARDRAIL AT BR 144A
BR 144A HANCOCK STA. 0+584.192 LT & RT
NOT TO SCALE

- NOTES**
1. SEE STANDARD G-IM FOR STEEL BEAM GUARDRAIL DETAILS.
 2. THIS WORK SHALL BE PAID UNDER ITEM 621.20 STEEL BEAM GUARDRAIL AT A PAY FACTOR OF 1.0.
 3. THIS DETAIL TO BE USED AS INDICATED ON THE ITEM DETAIL SUMMARY SHEETS OR AS DIRECTED BY THE RESIDENT ENGINEER.



COLOR: BLACK SYMBOL
YELLOW BACKGROUND (REFLECTORIZED)
MATERIAL: PER VAOT STANDARD E-150M
SIGN - VT. ROUTE 100
HANCOCK:
STA. 3+830.6, LT
STA. 3+833.0, RT

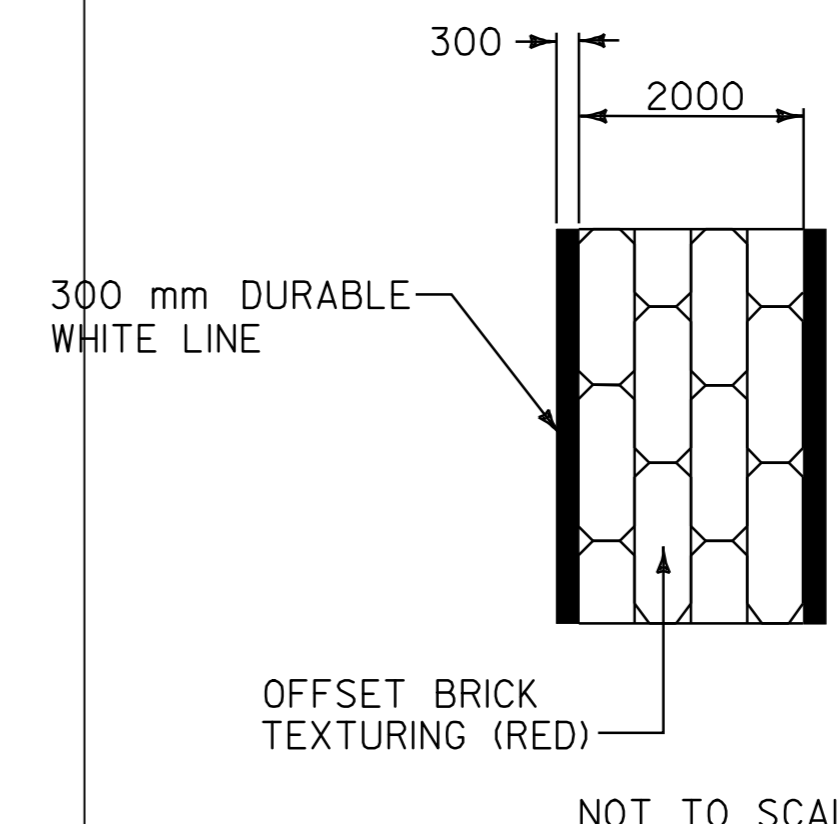


COLOR: BLACK SYMBOL
YELLOW BACKGROUND (REFLECTORIZED)
MATERIAL: PER VAOT STANDARD E-150M
SIGN - VT. ROUTE 100
HANCOCK:
STA. 3+825.0, RT
STA. 3+836.0, LT

GRANVILLE:
STA. 1+536.0, LT
STA. 1+557.0, RT

GRANVILLE:
STA. 1+539.0, RT
STA. 1+555.0, LT

DATUM	
VERTICAL	N/A
HORIZONTAL	N/A



DETAIL OF DURABLE CROSSWALK MARKINGS WITH BRICK TEXTURING
HANCOCK STA. 1+674.0

- NOTES**
1. THE OFFSET BRICK PATTERN SHALL BE IMPRINTED AS SPECIFIED IN THE SPECIAL PROVISIONS.
 2. THE PER METER COST OF INSTALLED CROSSWALK, INCLUDING THE 300 mm DURABLE WHITE LINES, SHALL BE PAID AS ITEM 646.51 DURABLE CROSSWALK MARKINGS WITH DIAGONAL LINES (MOD.).

GUARDRAIL, TRAFFIC-SIGN & CROSSWALK MARKINGS DETAIL SHEET	SURVEYED BY	N/A	DATE	N/A
	DRAWN BY	C.A.K.	DATE	11/00
	SQUAD LEADER	T.P.K.		
	DESIGN FILE NO.	/pave/98bl80/pbl80.dgn		
	IPARM FILE	pbl80d+li	DATE PLOTTED	21-DEC-2006 15
PROJ. NAME	ROCHESTER-GRANVILLE			
PROJ. NO.	AC_SIP_2124(1)S			
SHEET	48	OF	49	SHEETS