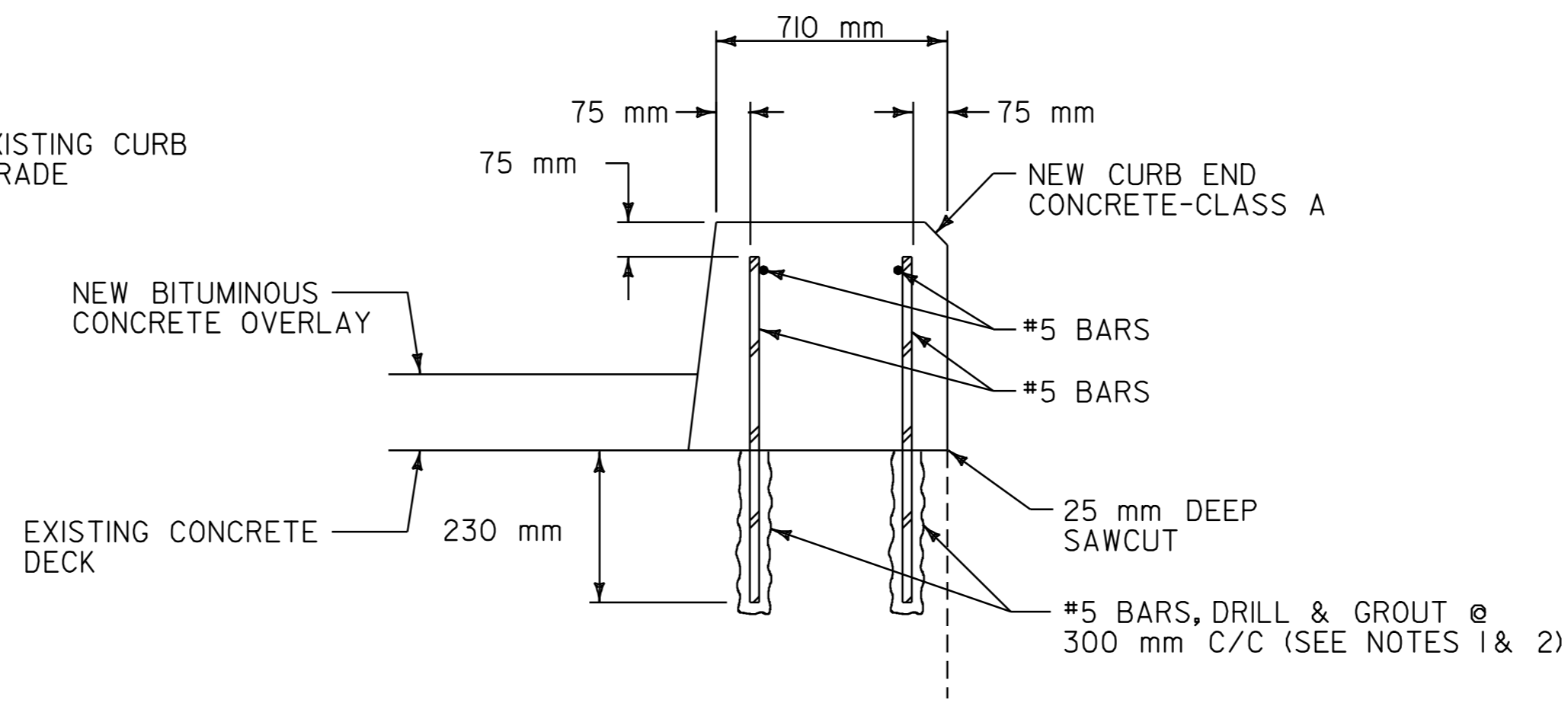
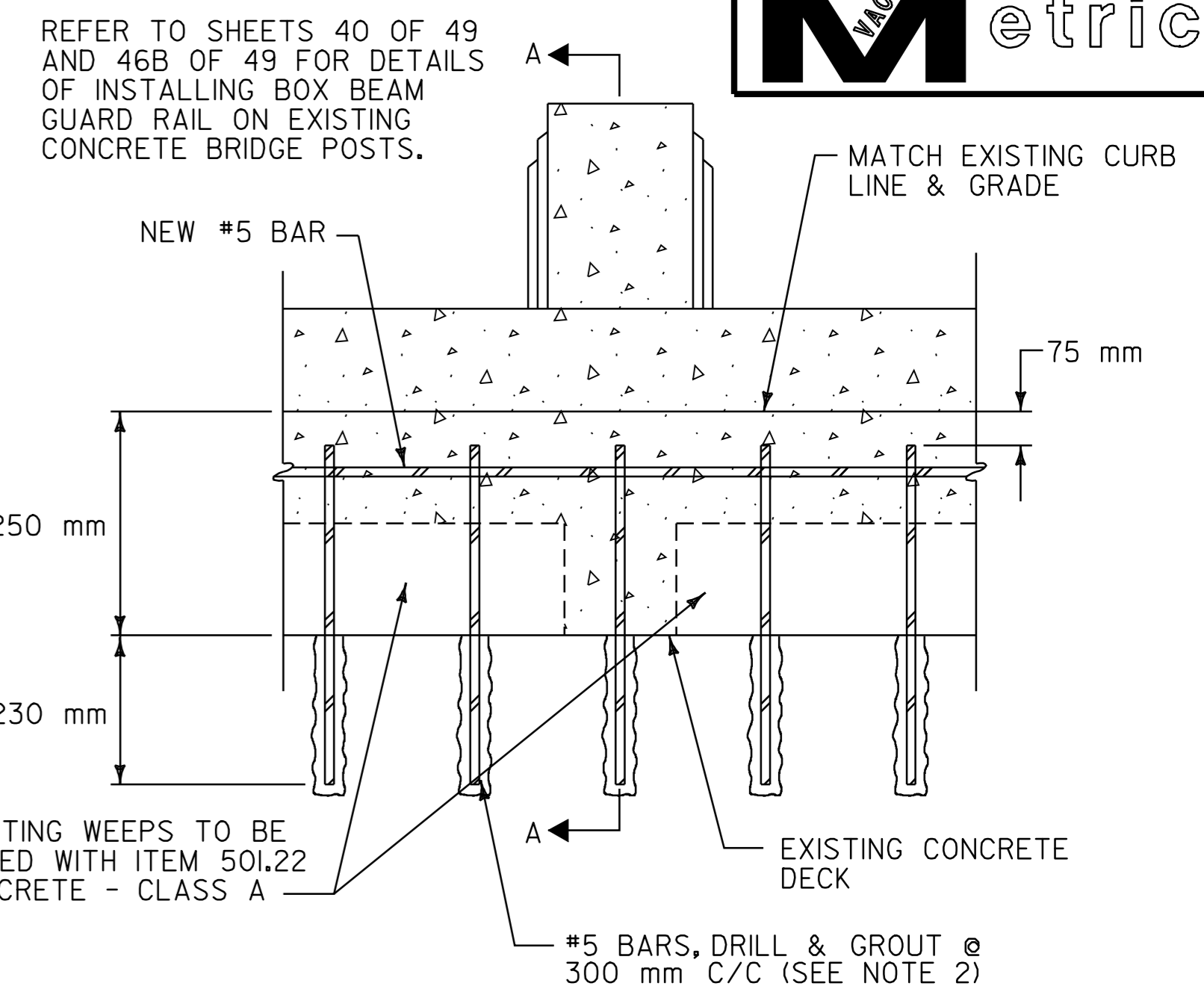


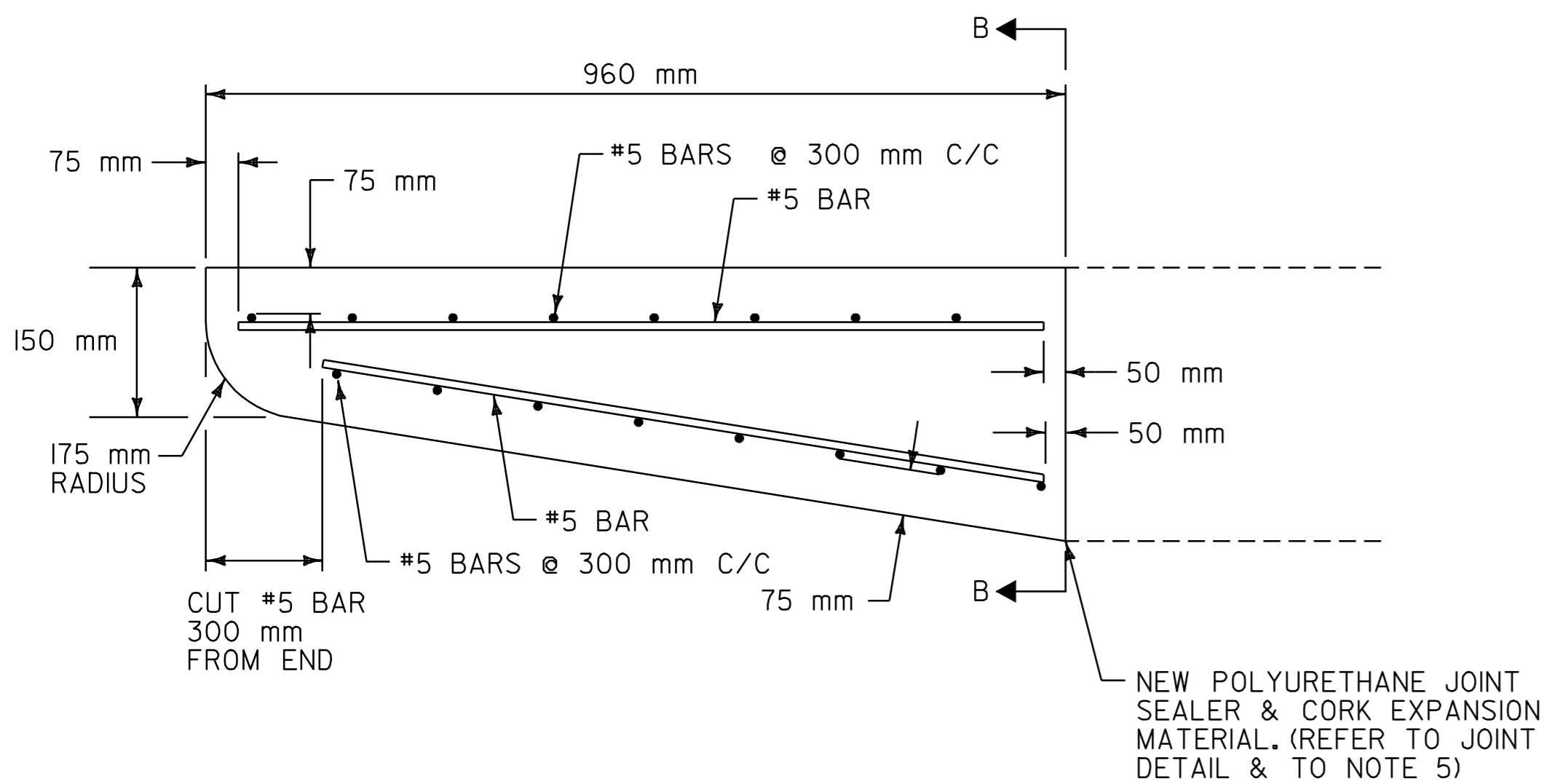
NEW CURB END TREATMENT ELEVATION VIEW
NOT TO SCALE



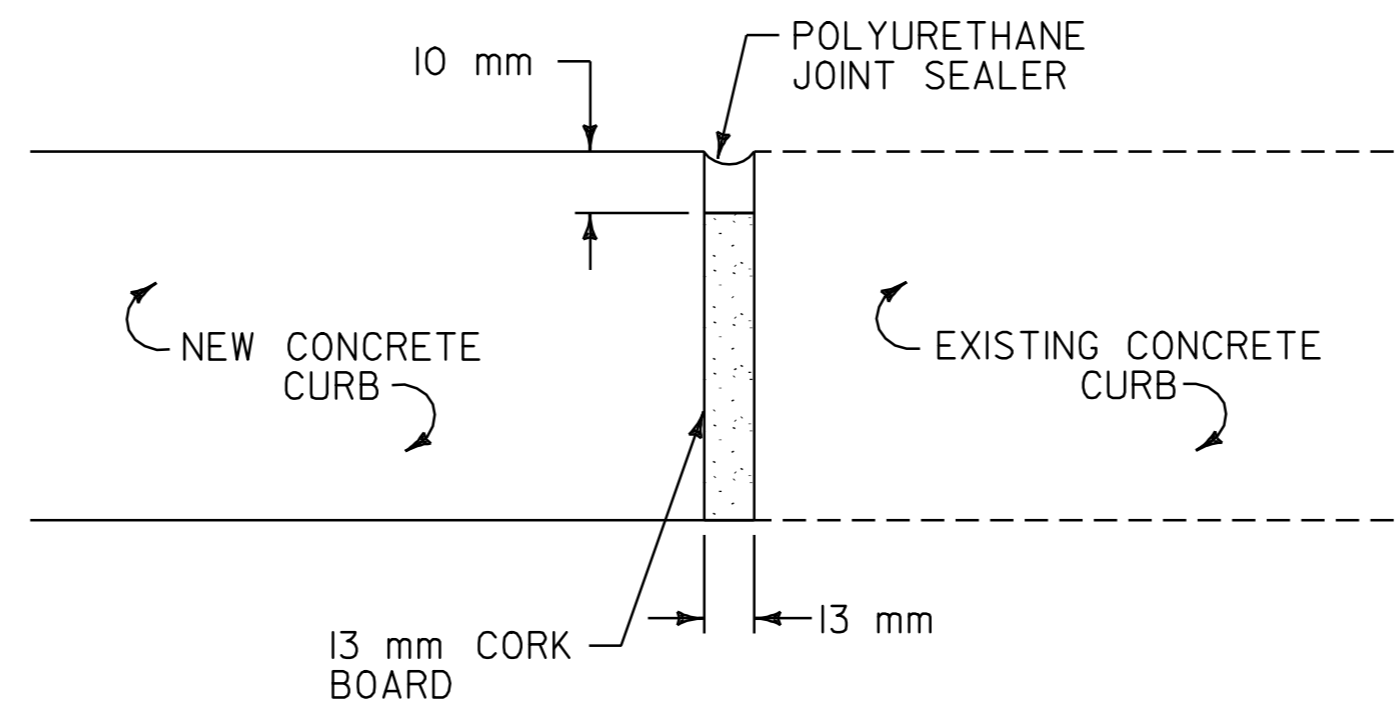
SECTION B-B
NOT TO SCALE



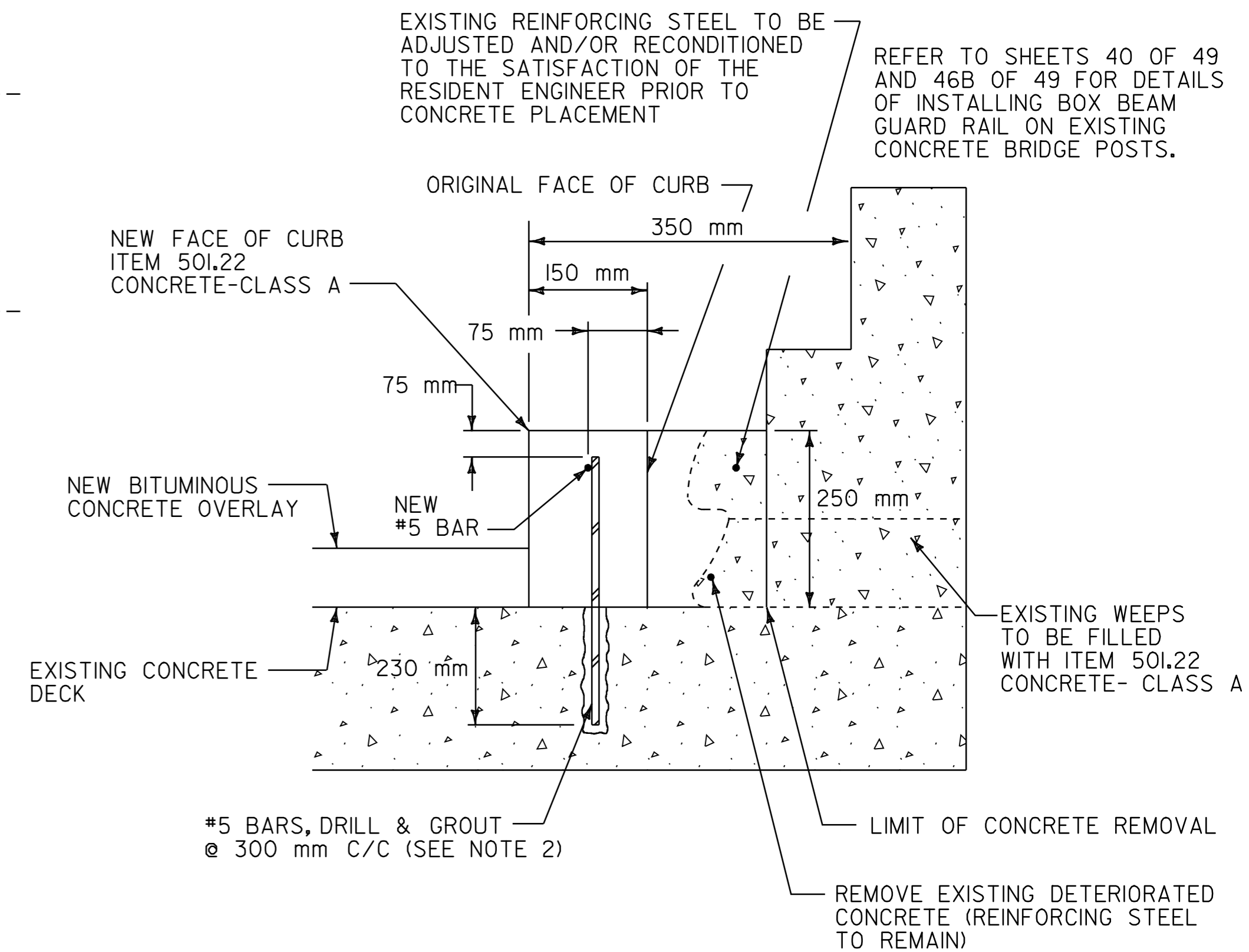
NEW CURB ELEVATION VIEW
NOT TO SCALE



NEW CURB END TREATMENT PLAN VIEW
NOT TO SCALE



JOINT DETAIL (SEE NOTE 5)
NOT TO SCALE



SECTION A-A
NOT TO SCALE

NOTES

1. LOCATION OF EXISTING U-BARS IS NOT KNOWN. DRILL AND GROUT #5 BAR DOWELS AS SHOWN IN END TREATMENT DETAILS. WHEN DIRECTED BY THE RESIDENT ENGINEER, ANY EXISTING U-BARS SHALL BE REMOVED AND SUBSEQUENTLY REPLACED BY #5 BAR DOWELS AS REQUIRED TO PROVIDE THE NECESSARY VERTICAL REINFORCEMENT.
2. PAYMENT FOR ALL DRILLING AND GROUTING SHALL BE CONSIDERED INCIDENTAL TO ITEM 501.22 CONCRETE - CLASS A.
3. WHEN POURING NEW CONCRETE CURBS, THE CONCRETE SHALL BE POURED AS SHOWN ON THIS SHEET UNLESS DIRECTED OTHERWISE BY THE RESIDENT ENGINEER.
4. THE REMOVAL OF CONCRETE CURBING ON BR 148 TO THE LIMITS SHOWN WILL BE PAID FOR AS ONE EACH UNDER THE ITEM 529.20 PARTIAL REMOVAL OF STRUCTURE. THE RUBBLE CREATED BY THE REMOVAL SHALL NOT BE LEFT AT THE BRIDGE SITE BUT SHALL BE DISPOSED OF PROPERLY, AS DIRECTED BY THE RESIDENT ENGINEER.
5. POLYURETHANE JOINT SEALER AND CORK EXPANSION MATERIAL SHALL BE USED BETWEEN THE NEW CONCRETE CURB END TREATMENT AND THE EXISTING CONCRETE CURB. PAYMENT FOR THE JOINT SEALER SHALL BE MADE UNDER ITEM 524.20 JOINT SEALER, POLYURETHANE. PAYMENT FOR THE CORK EXPANSION MATERIAL SHALL BE CONSIDERED INCIDENTAL TO ITEM 501.22 CONCRETE - CLASS A.

DATUM	
VERTICAL	N/A
HORIZONTAL	N/A

BRIDGE 148 CURB DETAIL SHEET	SURVEYED BY	N/A	DATE	N/A
	DRAWN BY	C.A.K.	DATE	11/00
	SQUAD LEADER	T.P.K.		
	DESIGN FILE NO.	pave/98b180/pbl80.dgn		
	IPARM FILE	pbl80b12.i	DATE PLOTTED	21-DEC-2006 15
PROJ. NAME	ROCHESTER-GRANVILLE			
PROJ. NO.	AC_SIP_212411S			
SHEET	47	OF	49	SHEETS