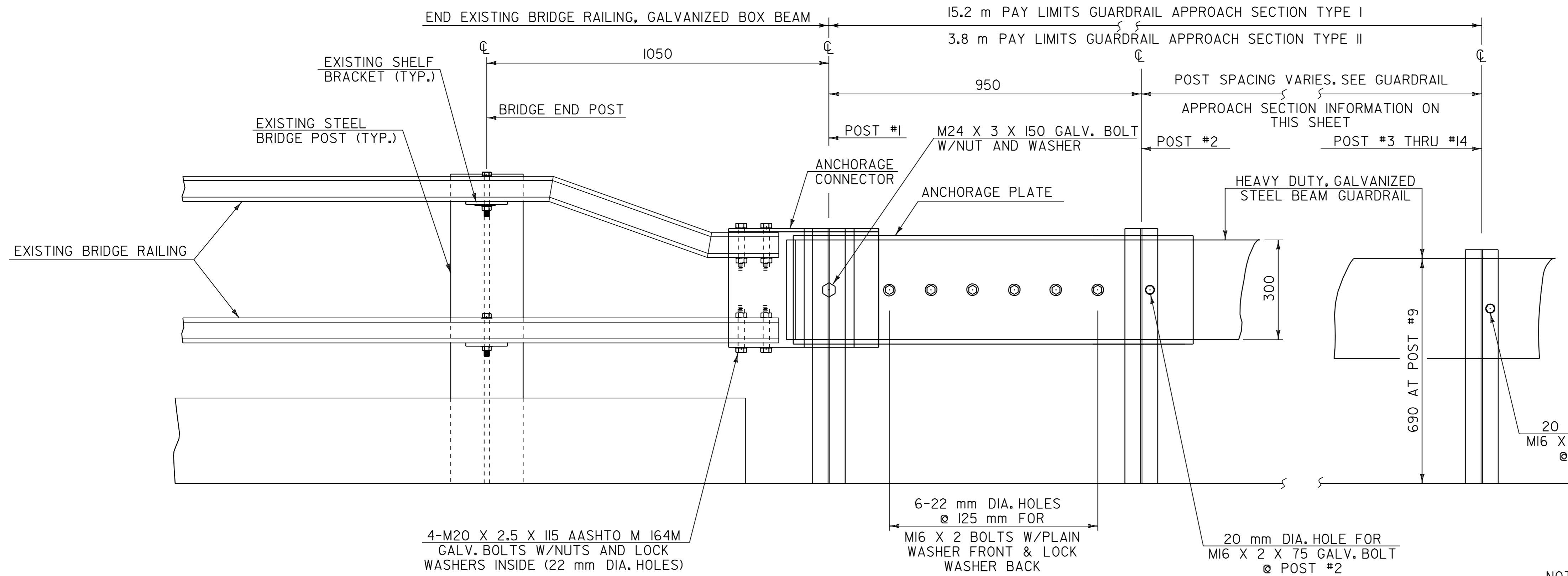


PLAN

GUARDRAIL APPROACH SECTION TYPE I

POST NO.	SPACING
1	950
2	950
3	950
4	950
5	950
6	950
7	950
8	950
9	950
10	1.27 m
11	1.27 m
12	1.27 m
13	1.9 m
14	1.9 m

15.2 m PAY LENGTH GUARDRAIL APPROACH SECTION, TYPE I



ELEVATION

BRIDGE APPROACH DETAIL

NOT TO SCALE

GUARDRAIL APPROACH SECTION TYPE II

POST NO.	SPACING
1	950
2	1.43 m
3	1.43 m
4	

3.8 m PAY LENGTH GUARDRAIL APPROACH SECTION TYPE II

NOTE: ALL DIMENSIONS IN MILLIMETERS EXCEPT WHERE OTHERWISE INDICATED.

DATUM	
VERTICAL	N/A
HORIZONTAL	N/A

BRIDGE APPROACH SECTION DETAIL SHEET 1

SURVEYED BY	N/A	DATE	N/A
DRAWN BY	C.A.K.	DATE	11/00
SQUAD LEADER	T.P.K.		
DESIGN FILE NO.	/pave/98b180/pbl80.dgn		
IPARM FILE	pbl80b10.i	DATE PLOTTED	21-DEC-2006 15
PROJ. NAME	ROCHESTER-GRANVILLE		
PROJ. NO.	AC_SIP_2124(1)S		
SHEET	45	OF	49
		SHEETS	