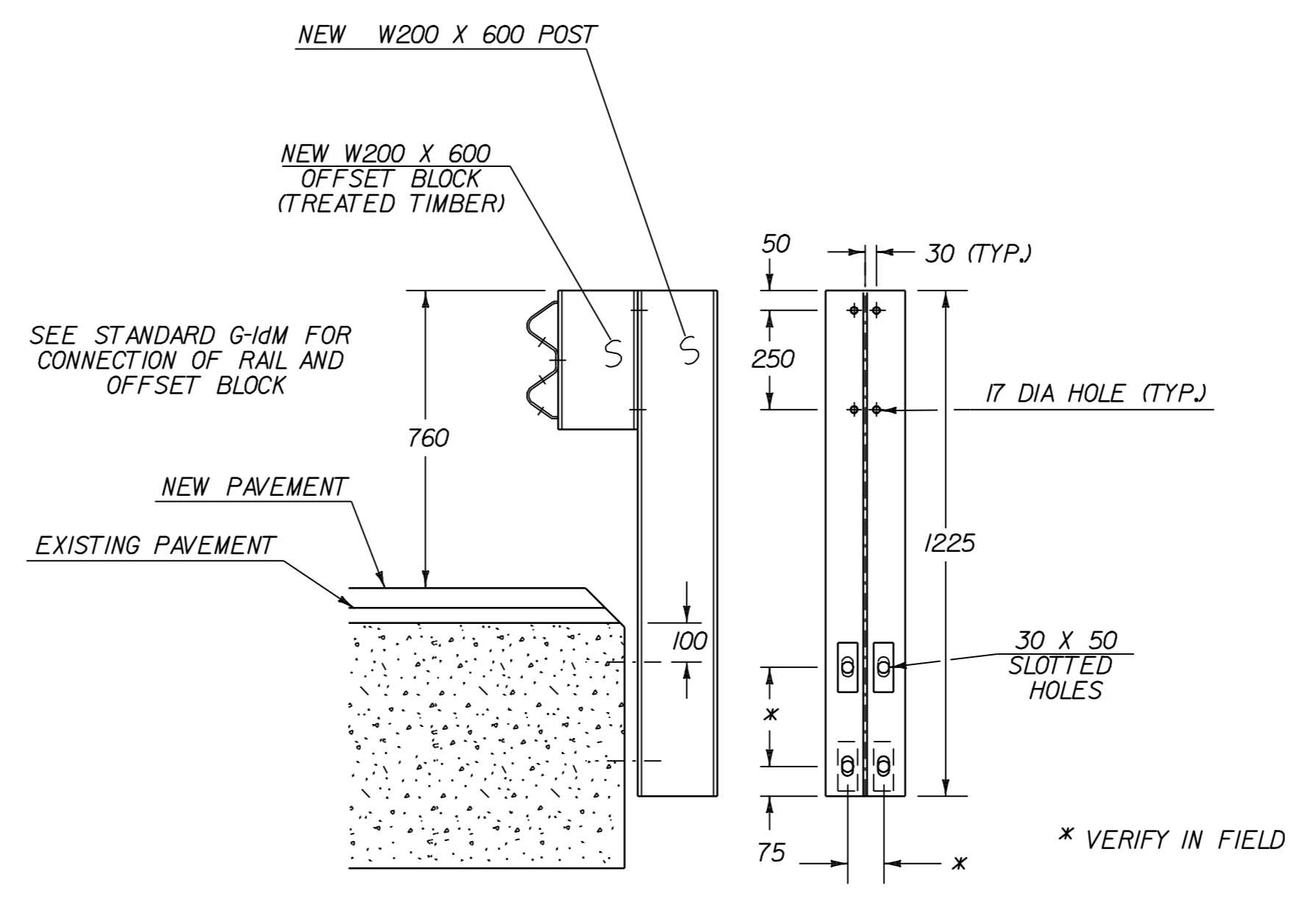
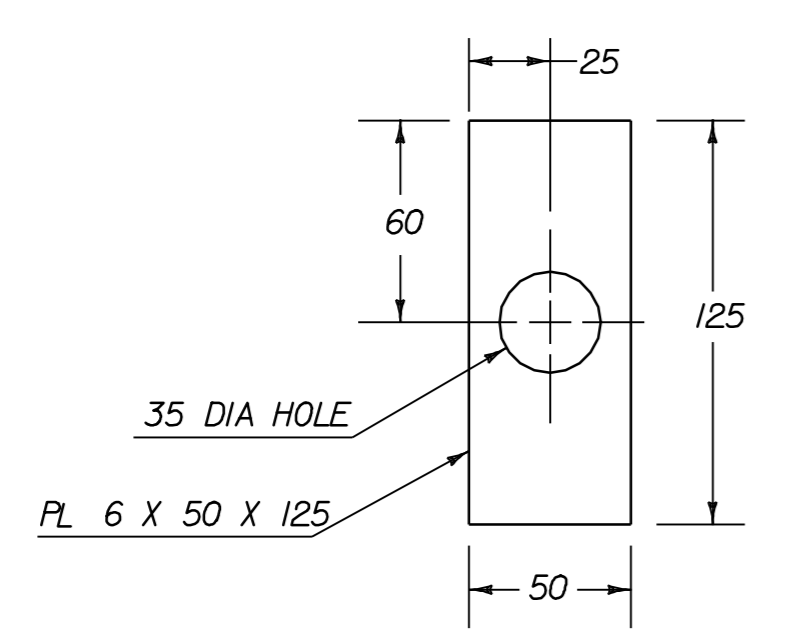
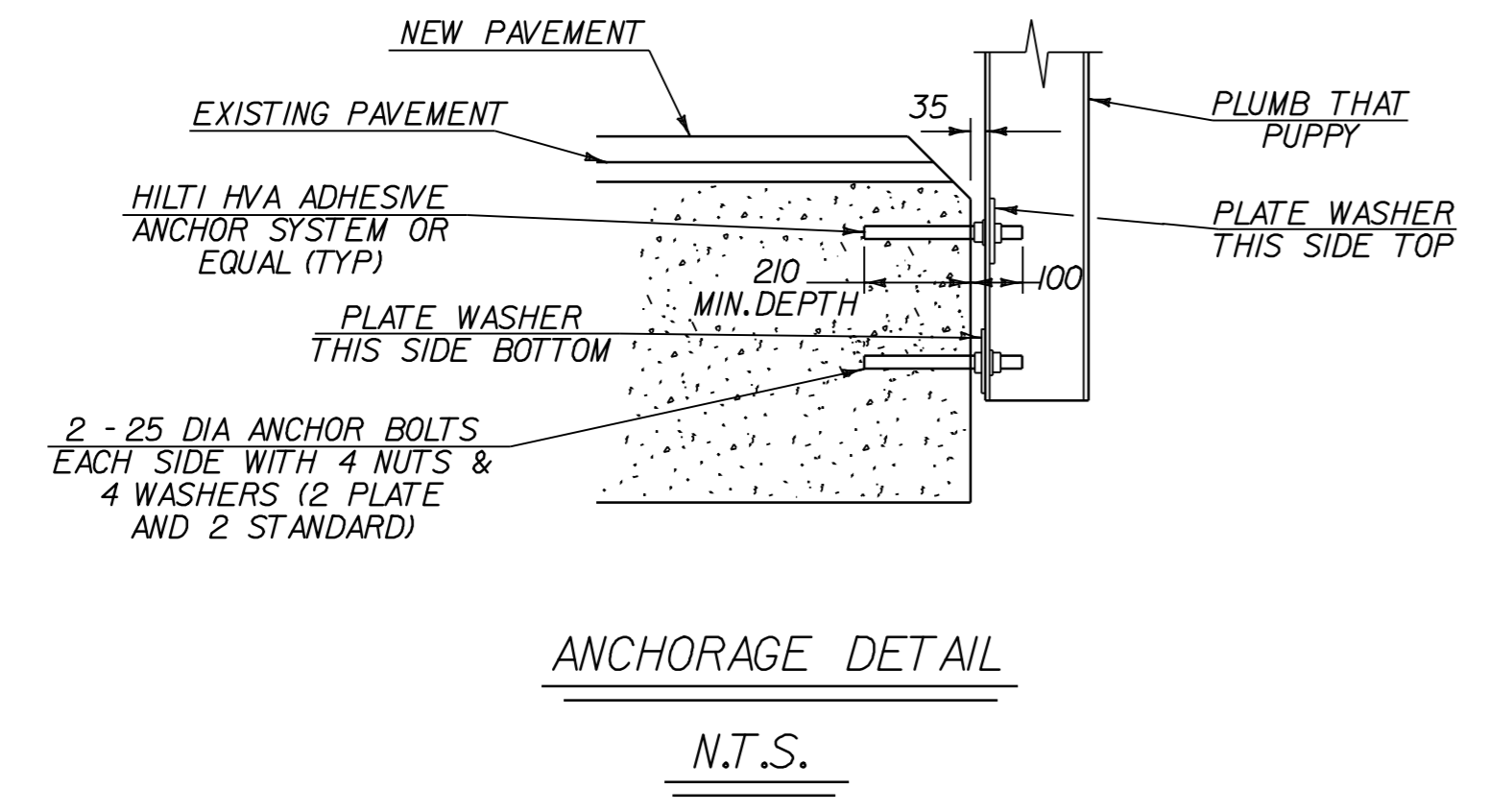


BRIDGE 8

US ROUTE 7 POWNAL STA. 12+704 (MM 7.89)

BR 8 POWNAL US. ROUTE 7 MM 7.89 = STA. 12+704.00

NOT TO SCALE



NOTES

- ANCHOR BOLTS SHALL BE ASTM F 568 M CL. 4.6, 25 mm DIAMETER BY 350 mm IN LENGTH WITH A MINIMUM THREAD LENGTH OF 100 mm.
- ANCHOR BOLTS SHALL HAVE 215 mm MINIMUM DEPTH OF EMBEDMENT INTO THE EXISTING CONCRETE AND SHALL BE CAPABLE OF ULTIMATE TENSILE STRENGTH = 133 kn MINIMUM. DETAILS SHALL BE SUBMITTED TO THE ENGINEER FOR APPROVAL PRIOR TO INSTALLATION.
- INSTALLATION OF NEW ANCHOR BOLTS AND POSTS SHALL BE INCIDENTAL TO THE BRIDGE RAIL ITEM.
- POSTS, BRACKETS AND PLATE WASHERS SHALL BE ASTM A36 STEEL GALVANIZED PER AASHTO M 111/M 111.
- ANCHOR BOLTS, NUTS AND WASHERS SHALL BE GALVANIZED IN ACCORDANCE WITH ASTM 153 (AASHTO M232) AND SHALL CONFORM TO VT SPECIFICATION 714 UNLESS OTHERWISE NOTED.
- EXISTING BRIDGE RAILING SHALL NOT BE REMOVED UNTIL THE NEW BRIDGE RAILING AND ALL NECESSARY ACCESSORIES ARE ON THE PROJECT. ONLY ONE SIDE OF EACH BRIDGE SHALL BE WORKED ON AT A TIME.

ALL DIMENSIONS ARE IN MILLIMETERS UNLESS OTHERWISE NOTED

DATUM	
VERTICAL	N/A
HORIZONTAL	N/A

BRIDGE DETAILS	PROJECT:	POWNAL-BENNINGTON	PROJECT NO.:	NH 2118(I)S
	DESIGN FILE NAME:	/pave/98bl68/pbl68.dgn	PLOT DATE:	17-JAN-2006 14
	IPARM FILE NAME:	pbl68bd01.l	SURVEY DATE:	
	SURVEYED BY:	ACT, SJL, RAL	DRAWN BY:	ACT
	SQUAD LEADER:	JAV	SHEET:	60 OF 65