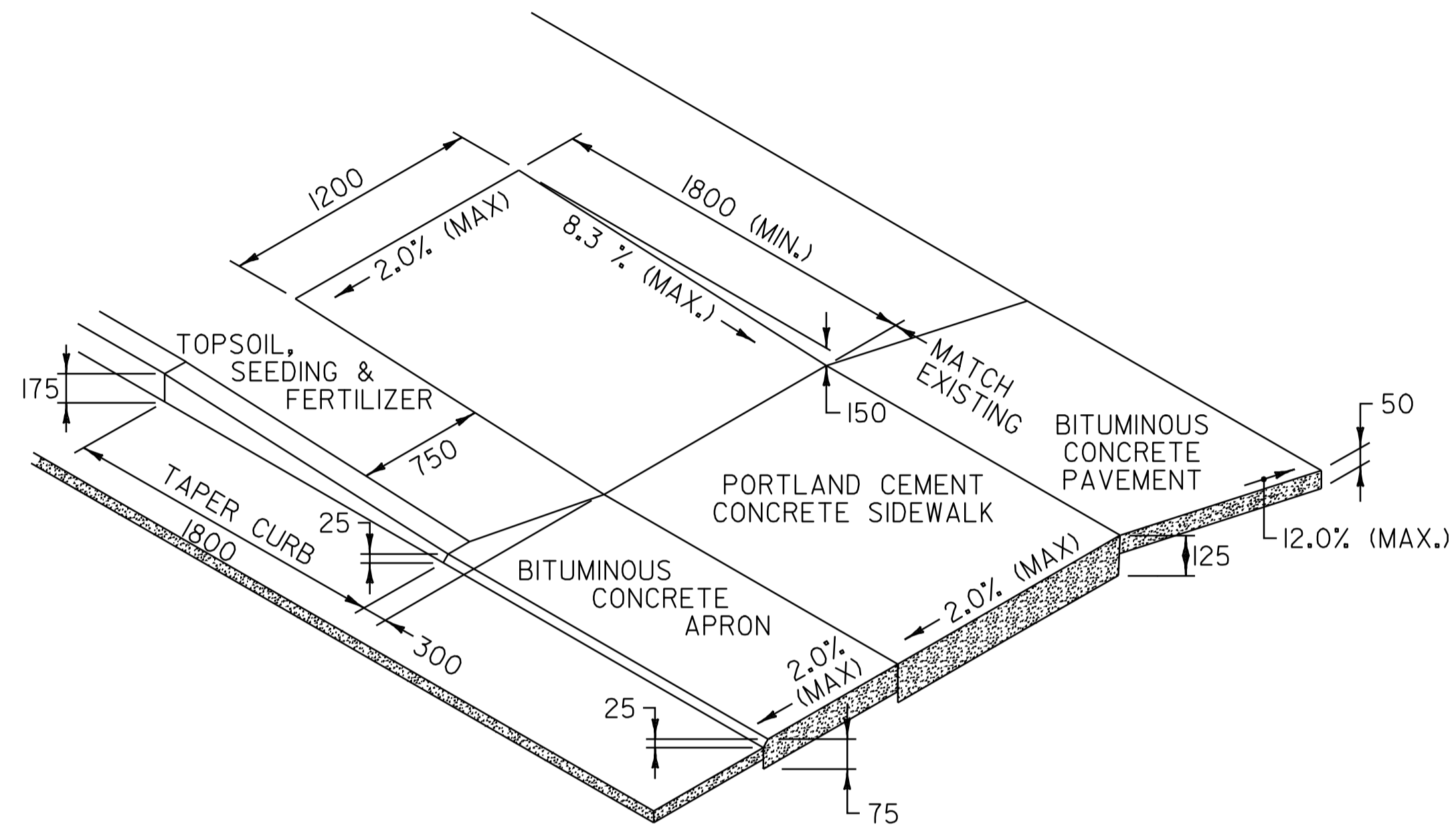
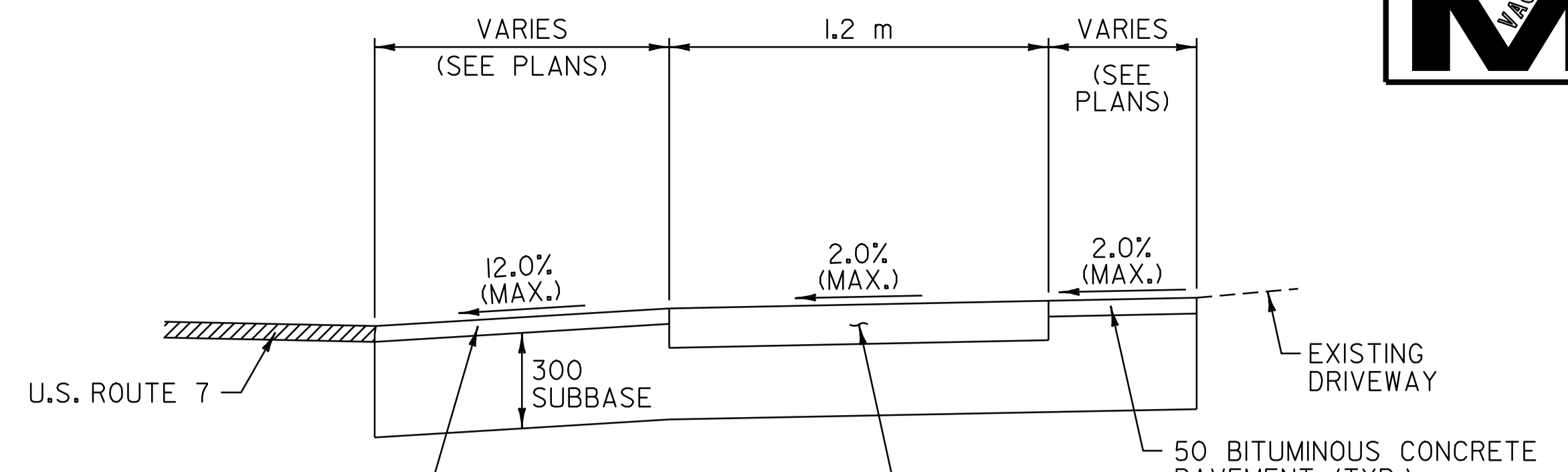


ELEVATION

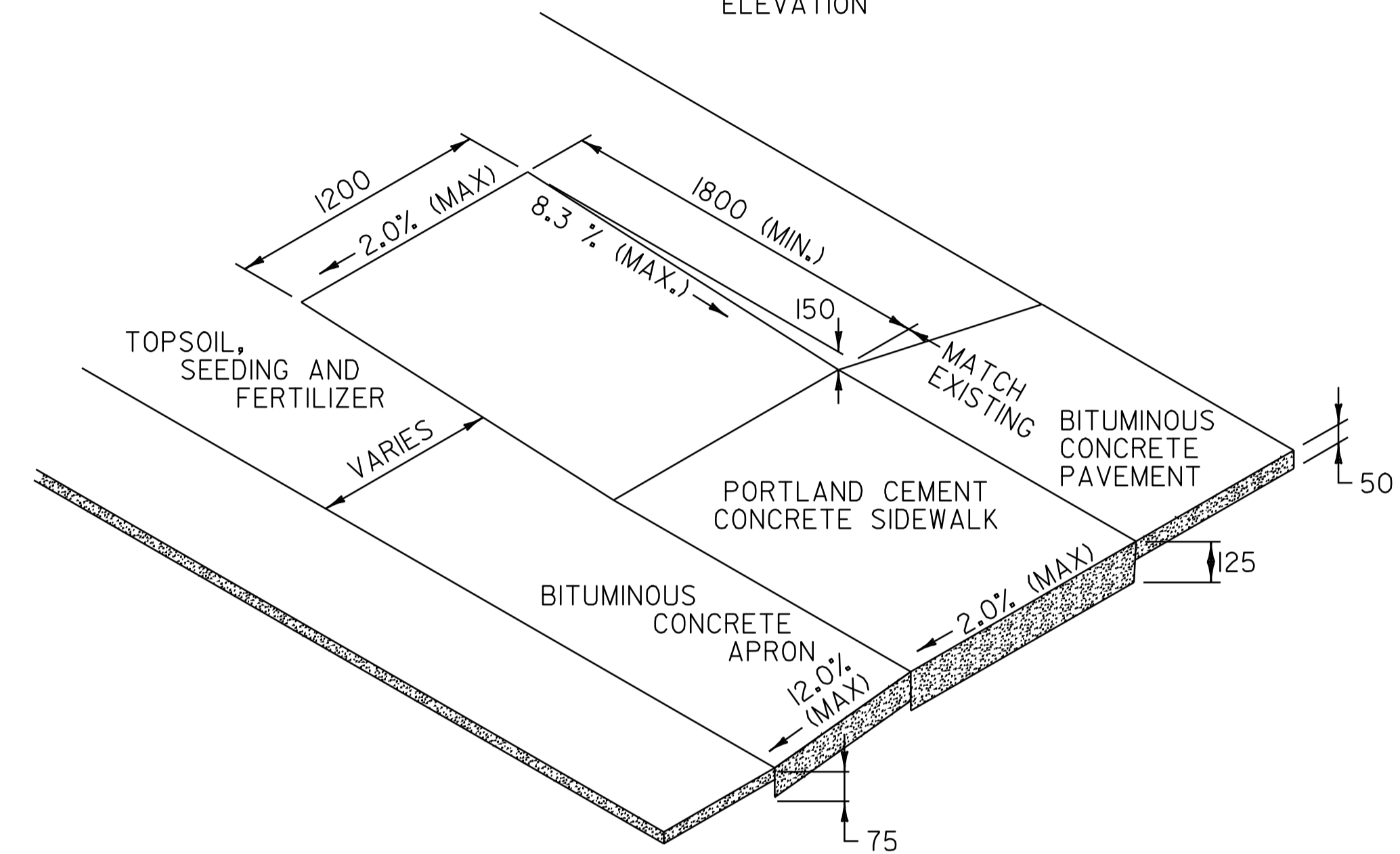


RESIDENTIAL DRIVE WITH CURB

N.T.S.

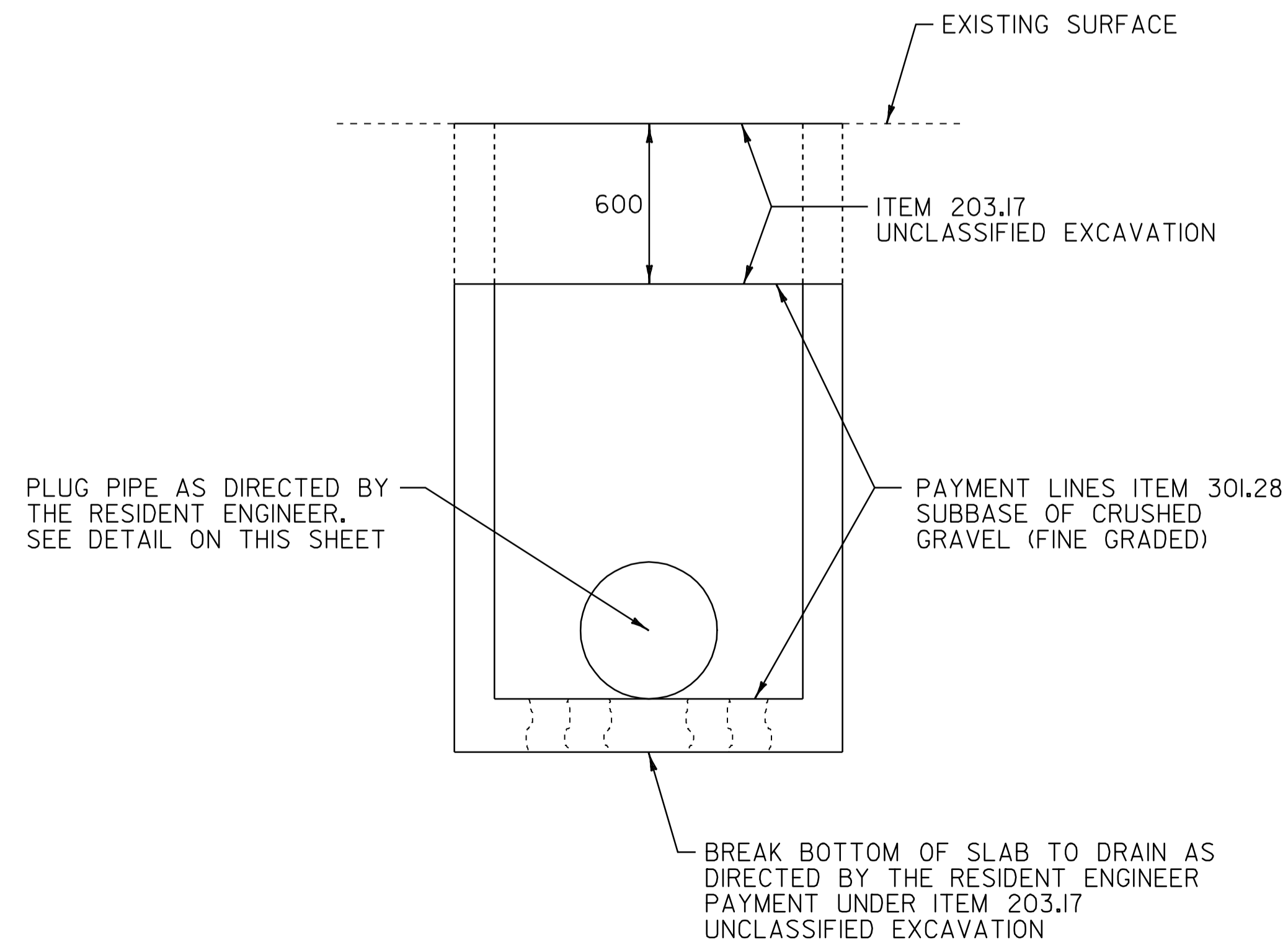


ELEVATION



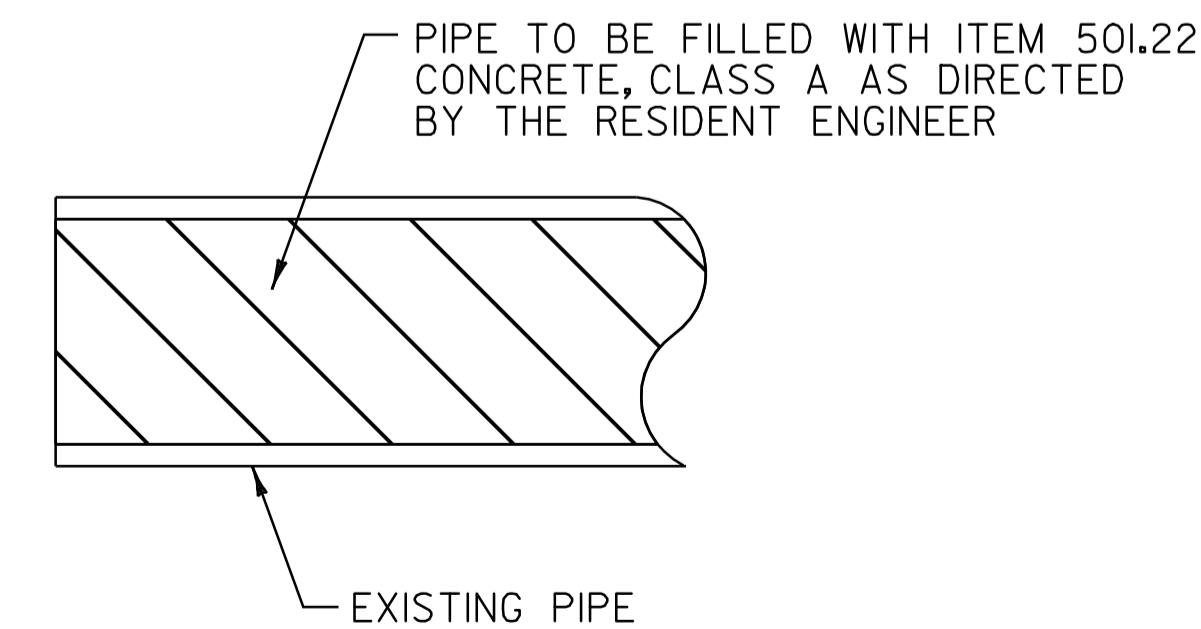
RESIDENTIAL DRIVE WITHOUT CURB

N.T.S.



ABANDONMENT OF EXISTING DRAINAGE STRUCTURE

N.T.S.



ABANDONING PIPE

N.T.S.

ALL DIMENSIONS IN MILLIMETERS UNLESS OTHERWISE NOTED.

MISCELLANEOUS DETAILS SHEET #1

SURVEYED BY	N/A	DATE	N/A
DRAWN BY	C.A.K.	DATE	8/05
SQUAD LEADER	D.E.G.		
DESIGN FILE NO.	/pave/98b098/pb098.dgn		
IPARM FILE	pb098ddl.i	DATE PLOTTED	08-JUL-2007 15:00
PROJ. NAME	WALLINGFORD		
PROJ. NO.	NH 2108(I)S & STP EHO4(6)		
SHEET	85	OF	110 SHEETS

DATUM	
VERTICAL	N/A
HORIZONTAL	N/A