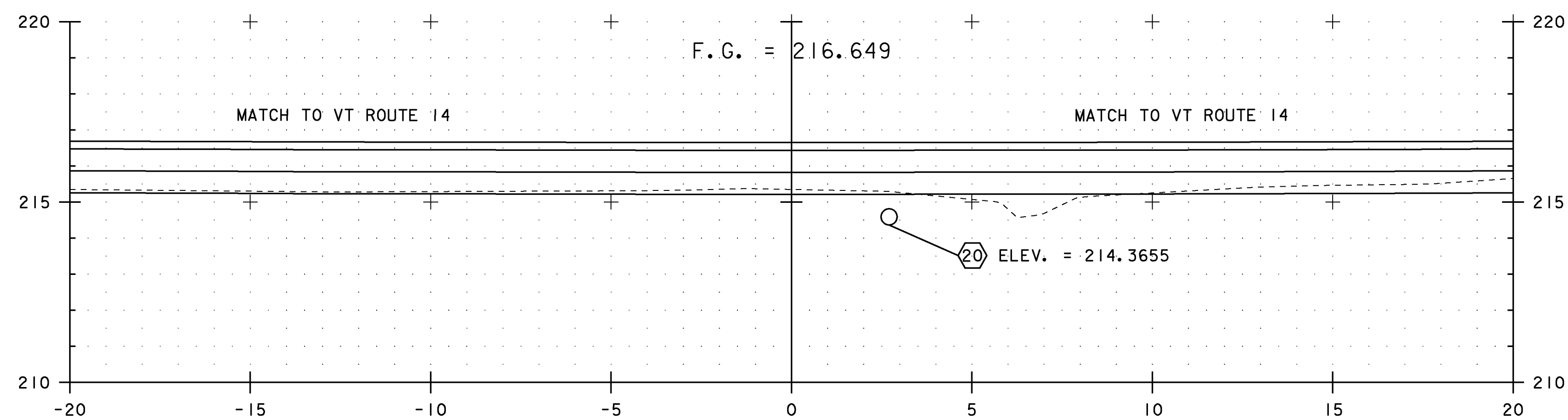
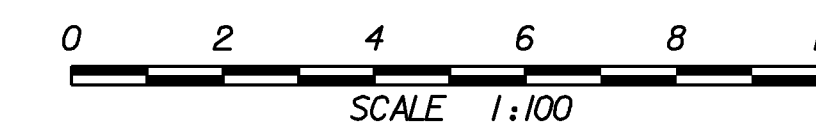


PC 30+015.34



30+000.00 =
VT ROUTE 14 STA 14+139.00



NOTES:

1. ALL BURIED UTILITIES ARE EXISTING, THE LOCATIONS ARE APPROXIMATE AND ARE TO REMAIN UNDISTURBED
2. DRAINAGE FEATURES DISPLAYED ON CROSS SECTIONS ARE PROJECTED. SEE DRAINAGE DETAIL SHEETS, LAYOUTS AND PROFILES FOR TRUE LOCATIONS

PROJECT NAME: EAST MONTPELIER
PROJECT NUMBER: STPG 028 - 3(35)S

FILE NAME: +98b028xsl.dgn
PROJECT LEADER: J. SCHULTZ
DESIGNED BY: J. GRUCHACZ
KELTON ROAD CROSS SECTION SHEET I

PLOT DATE: 22-MAR-2010
DRAWN BY: D. LYMAN
CHECKED BY: J. DEVLIN
SHEET 132 OF 142