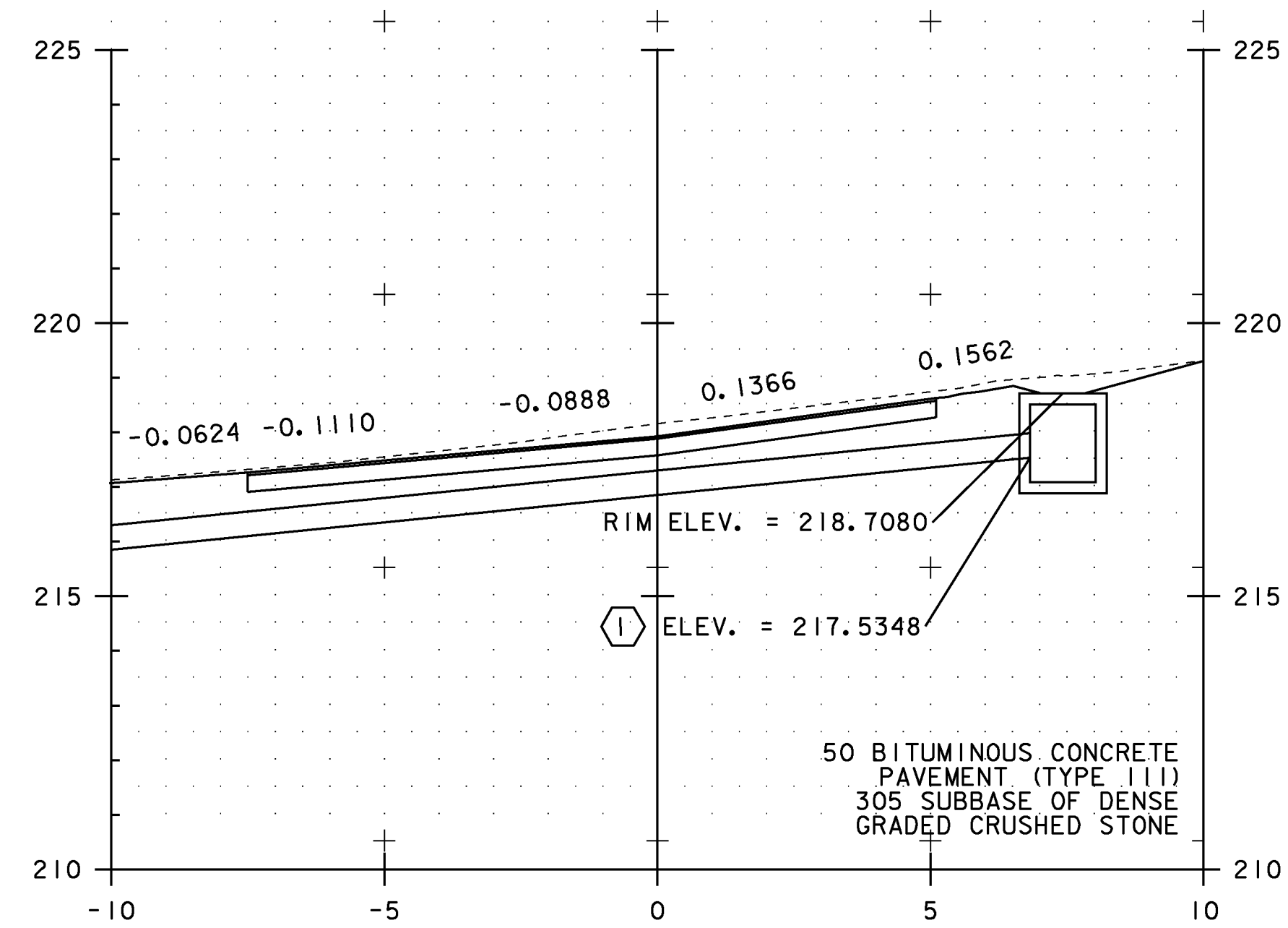
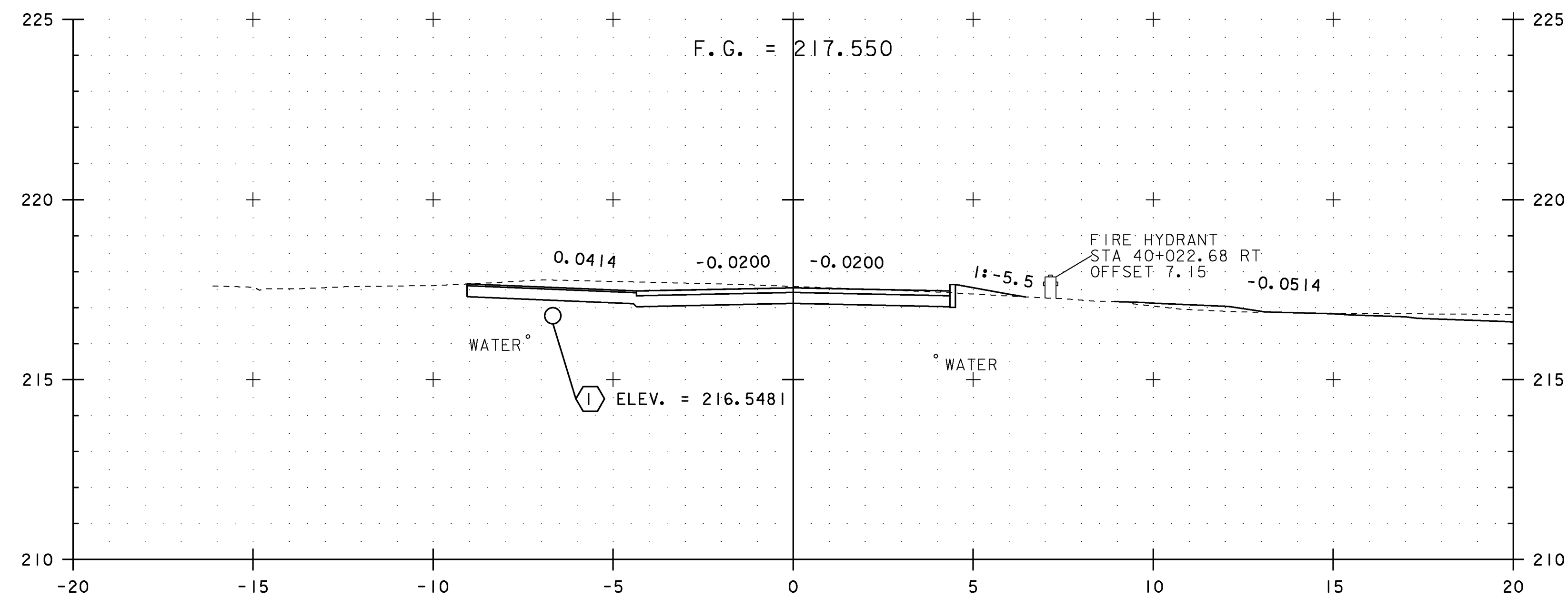


40+023.00  
PAVED DRIVE LT



SECTION A-A



40+020.00



NOTES:

1. ALL BURIED UTILITIES ARE EXISTING, THE LOCATIONS ARE APPROXIMATE AND ARE TO REMAIN UNDISTURBED
2. DRAINAGE FEATURES DISPLAYED ON CROSS SECTIONS ARE PROJECTED. SEE DRAINAGE DETAIL SHEETS, LAYOUTS AND PROFILES FOR TRUE LOCATIONS

PROJECT NAME: EAST MONTPELIER  
PROJECT NUMBER: STPG 028 - 3(35)S

FILE NAME: +98b028xsl.dgn  
PROJECT LEADER: J. SCHULTZ  
DESIGNED BY: J. GRUCHACZ  
PLOT DATE: 22-MAR-2010  
DRAWN BY: D. LYMAN  
CHECKED BY: J. DEVLIN  
QUAKER HILL ROAD CROSS SECTION SHEET 3 SHEET 129 OF 142

STA. 40+020 TO STA. 40+023