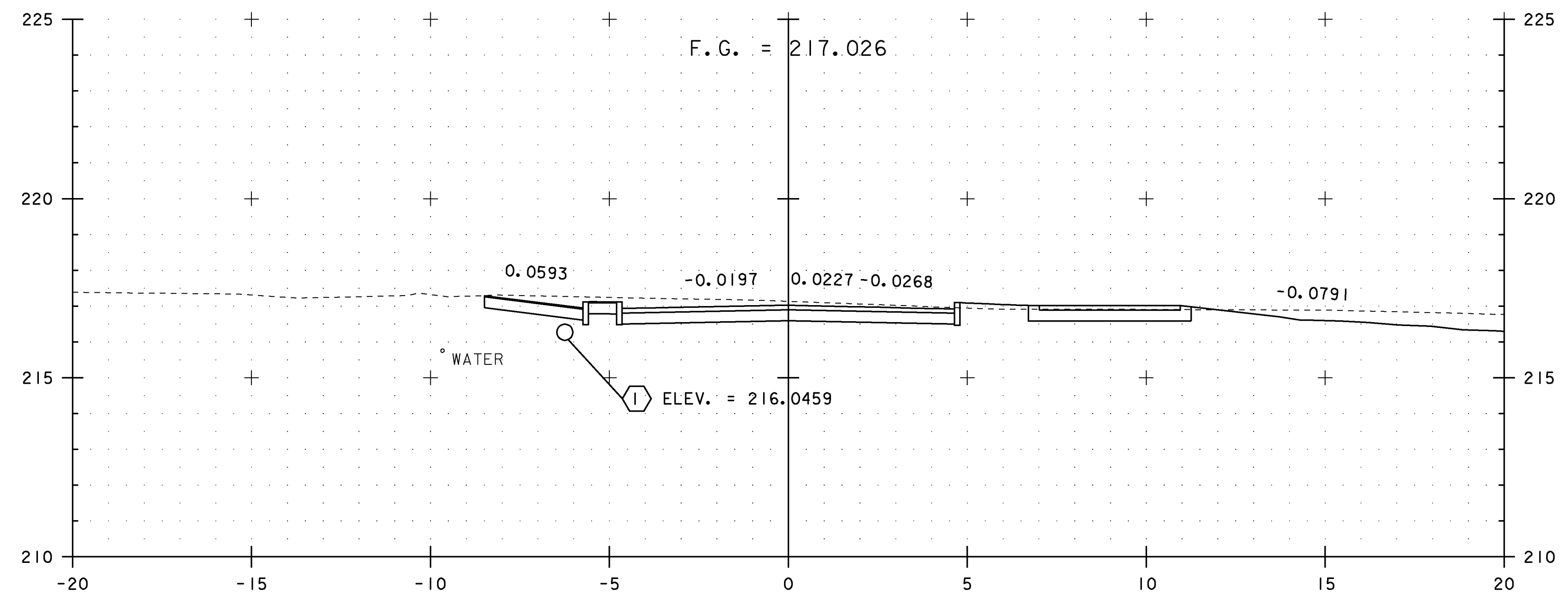


40+019.00



40+015.00



NOTES:

1. ALL BURIED UTILITIES ARE EXISTING, THE LOCATIONS ARE APPROXIMATE AND ARE TO REMAIN UNDISTURBED
2. DRAINAGE FEATURES DISPLAYED ON CROSS SECTIONS ARE PROJECTED. SEE DRAINAGE DETAIL SHEETS, LAYOUTS AND PROFILES FOR TRUE LOCATIONS

PROJECT NAME: EAST MONTPELIER  
 PROJECT NUMBER: STPG 028 - 3(35)S

FILE NAME: +98b028xsl.dgn PLOT DATE: 22-MAR-2010  
 PROJECT LEADER: J. SCHULTZ DRAWN BY: D. LYMAN  
 DESIGNED BY: J. GRUCHACZ CHECKED BY: J. DEVLIN  
 QUAKER HILL ROAD CROSS SECTION SHEET 2 SHEET 128 OF 142

STA. 40+015 TO STA. 40+019