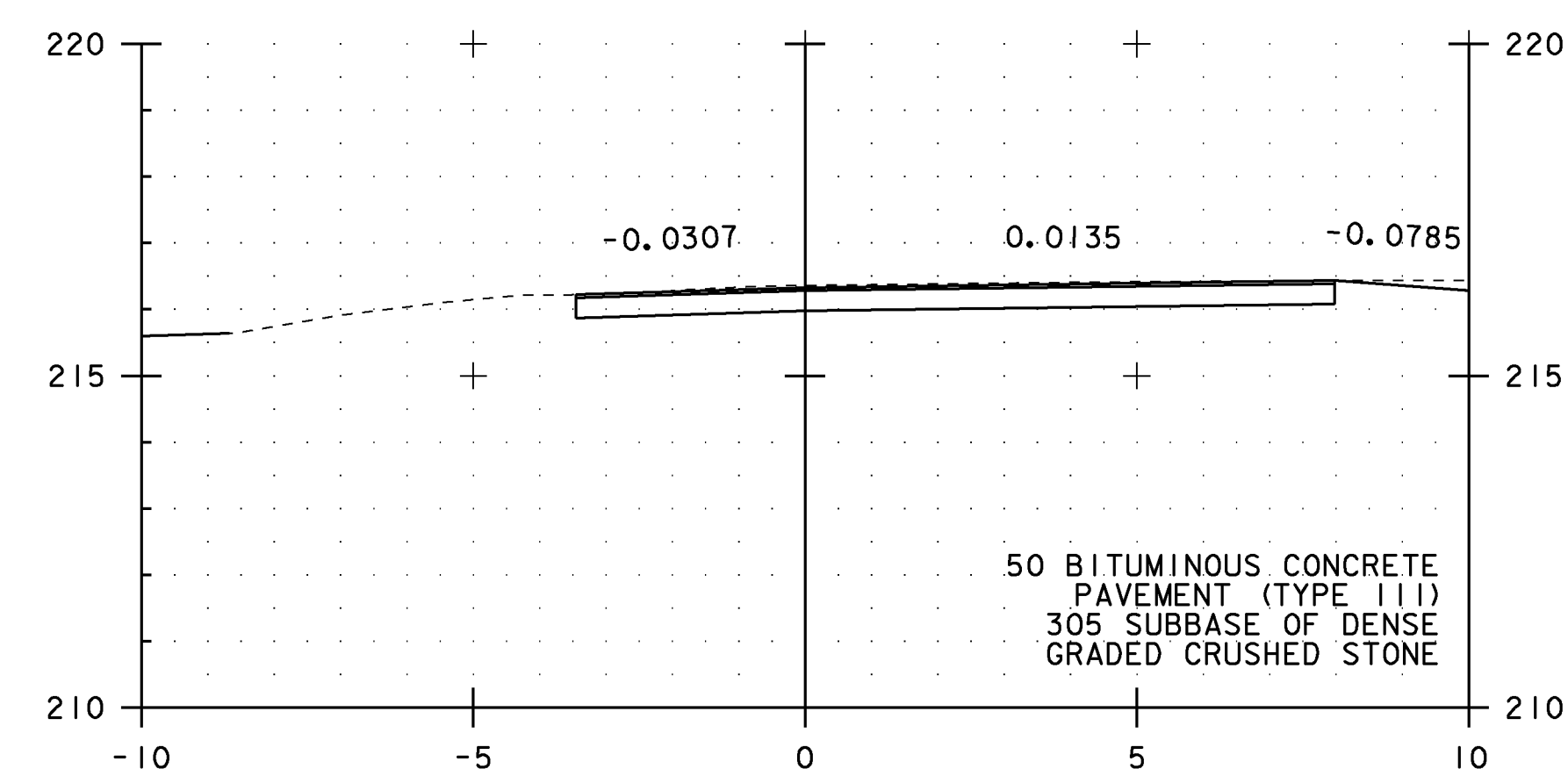
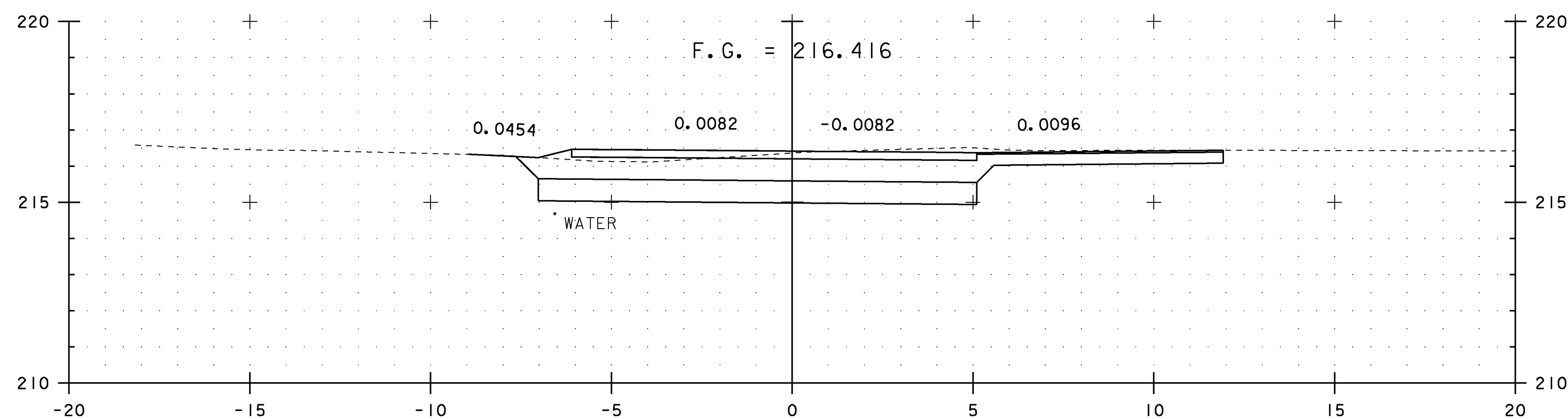


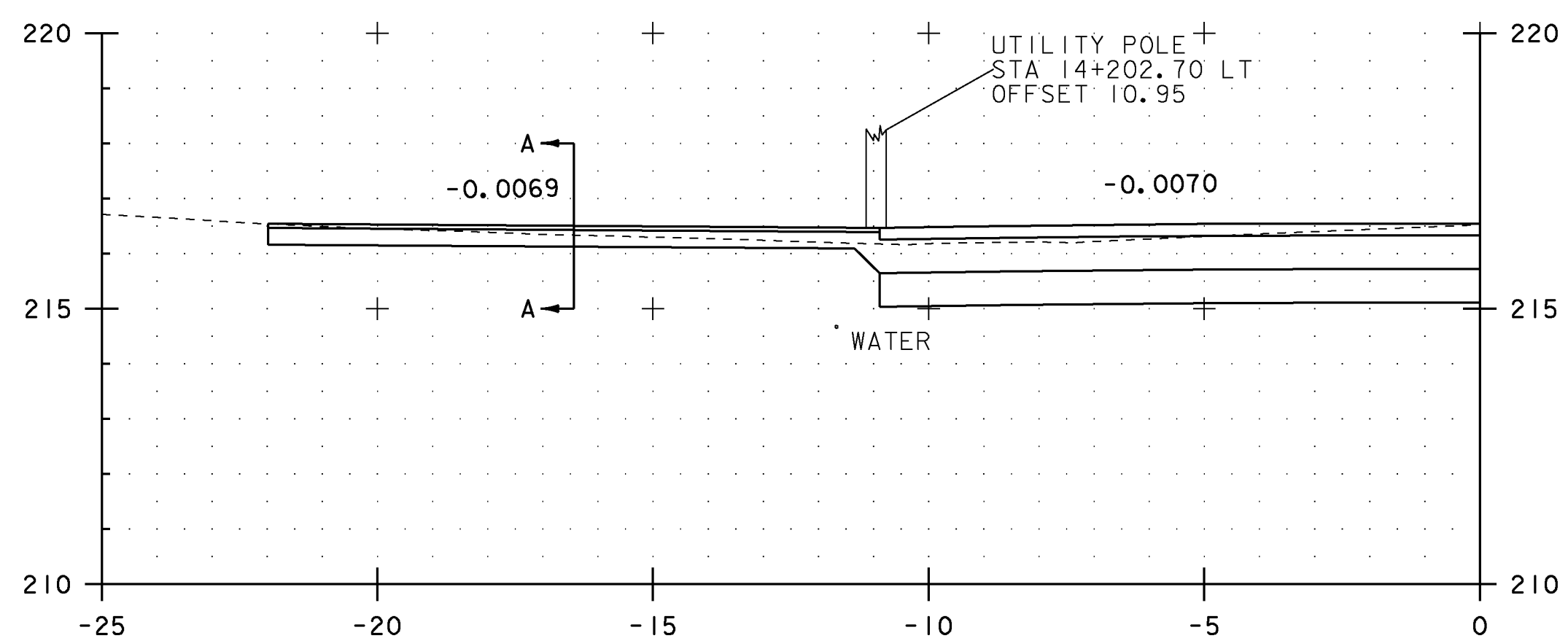
14+217.00
PAVED DRIVE RT



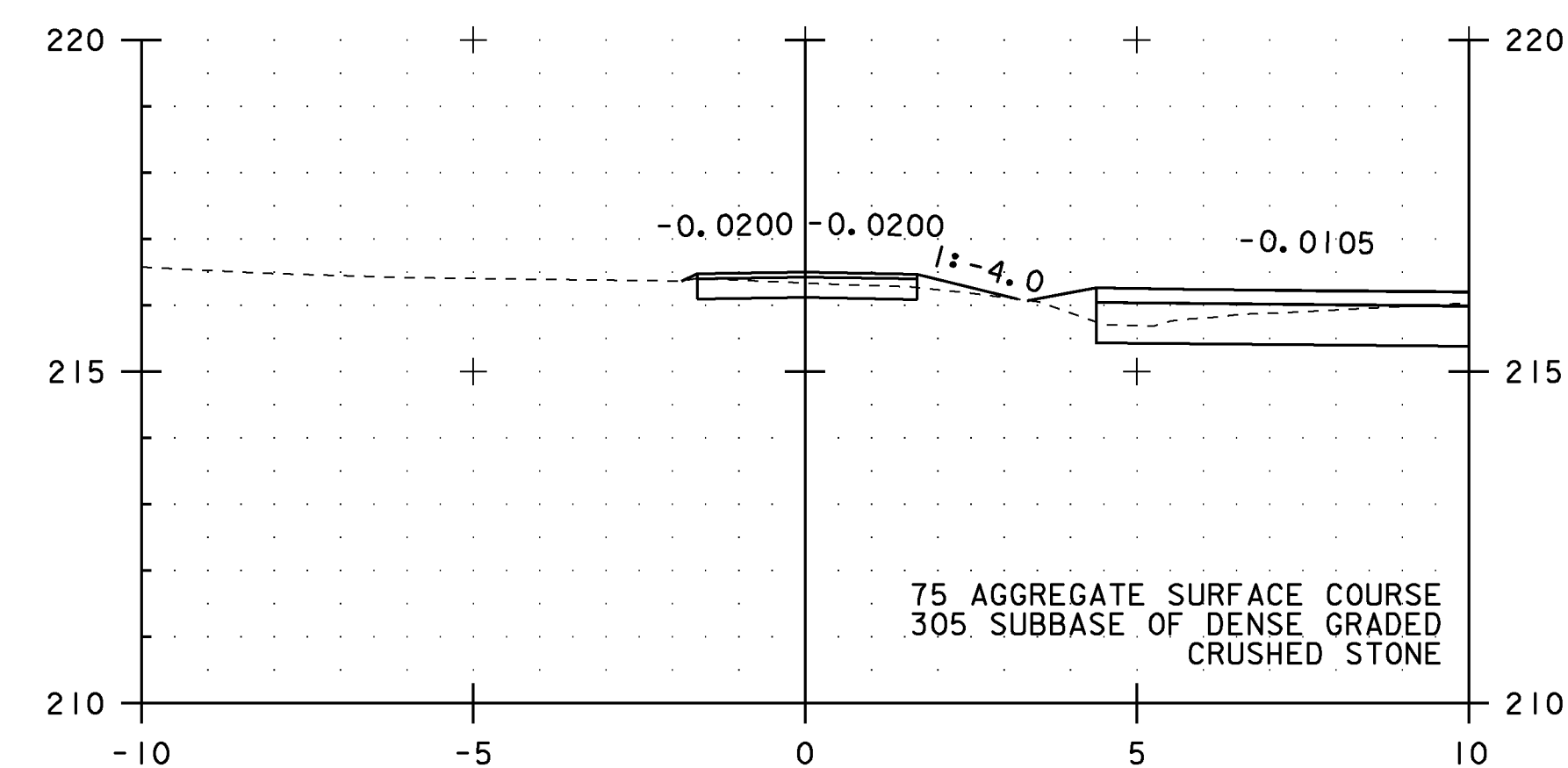
SECTION A-A



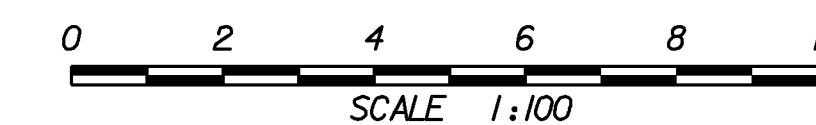
14+210.00
END PROJECT
BEGIN APPROACH



14+201.00
SKEWED 55° 56' 43.44"
GRAVEL DRIVE LT



SECTION A-A



NOTES:

1. ALL BURIED UTILITIES ARE EXISTING, THE LOCATIONS ARE APPROXIMATE AND ARE TO REMAIN UNDISTURBED
2. DRAINAGE FEATURES DISPLAYED ON CROSS SECTIONS ARE PROJECTED. SEE DRAINAGE DETAIL SHEETS, LAYOUTS AND PROFILES FOR TRUE LOCATIONS

PROJECT NAME: EAST MONTPELIER
PROJECT NUMBER: STPG 028 - 3(35)S

FILE NAME: +98b028xsl.dgn
PROJECT LEADER: J. SCHULTZ
DESIGNED BY: J. GRUCHACZ
VT ROUTE 14 CROSS SECTION SHEET 9

PLOT DATE: 22-MAR-2010
DRAWN BY: D. LYMAN
CHECKED BY: J. DEVLIN
SHEET 124 OF 142