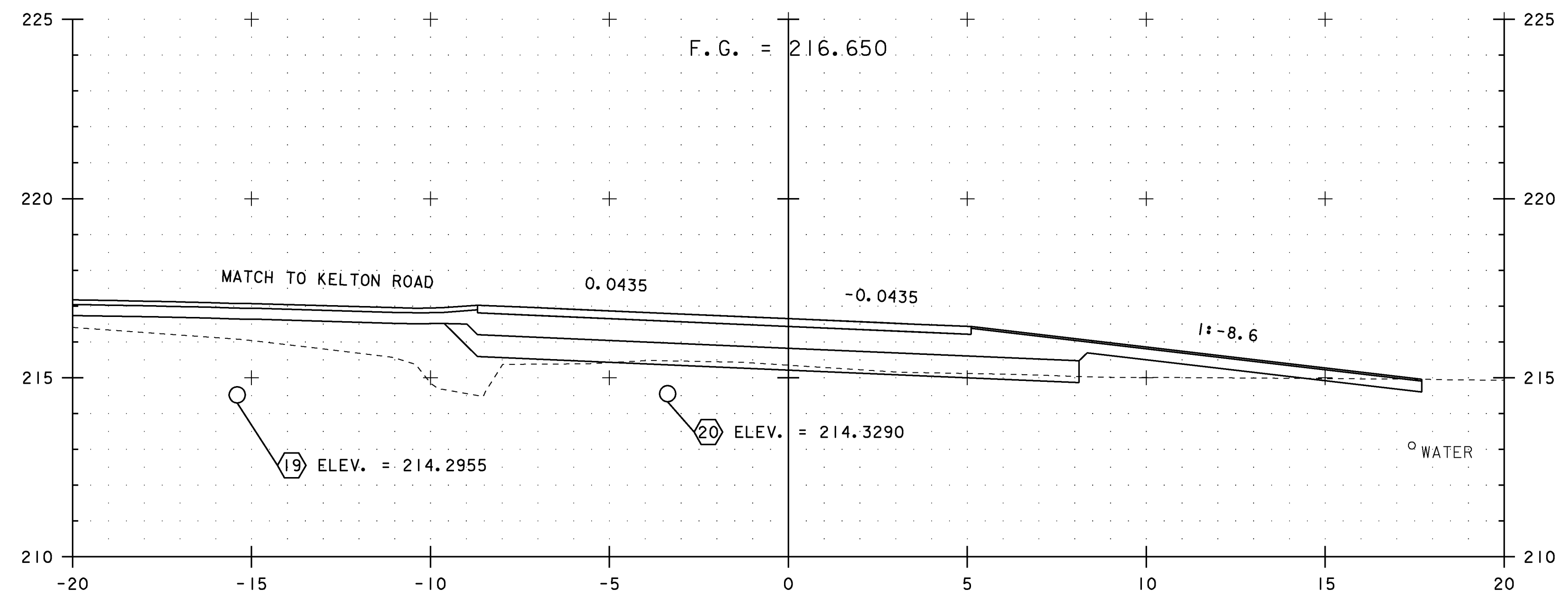
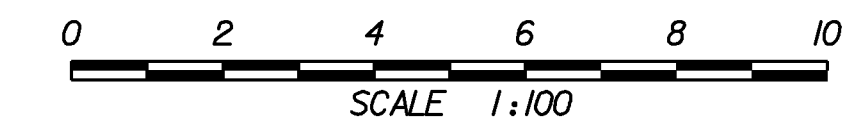


14+140.00



14+139.00



NOTES:

1. ALL BURIED UTILITIES ARE EXISTING, THE LOCATIONS ARE APPROXIMATE AND ARE TO REMAIN UNDISTURBED
2. DRAINAGE FEATURES DISPLAYED ON CROSS SECTIONS ARE PROJECTED. SEE DRAINAGE DETAIL SHEETS, LAYOUTS AND PROFILES FOR TRUE LOCATIONS

STA. 14+139 TO STA. 14+140

PROJECT NAME: EAST MONTEPELIER
 PROJECT NUMBER: STPG 028 - 3(35)S

FILE NAME: +98b028xsl.dgn	PLOT DATE: 22-MAR-2010
PROJECT LEADER: J. SCHULTZ	DRAWN BY: D. LYMAN
DESIGNED BY: J. GRUCHACZ	CHECKED BY: J. DEVLIN
VT ROUTE 14 CROSS SECTION SHEET 6	SHEET 121 OF 142