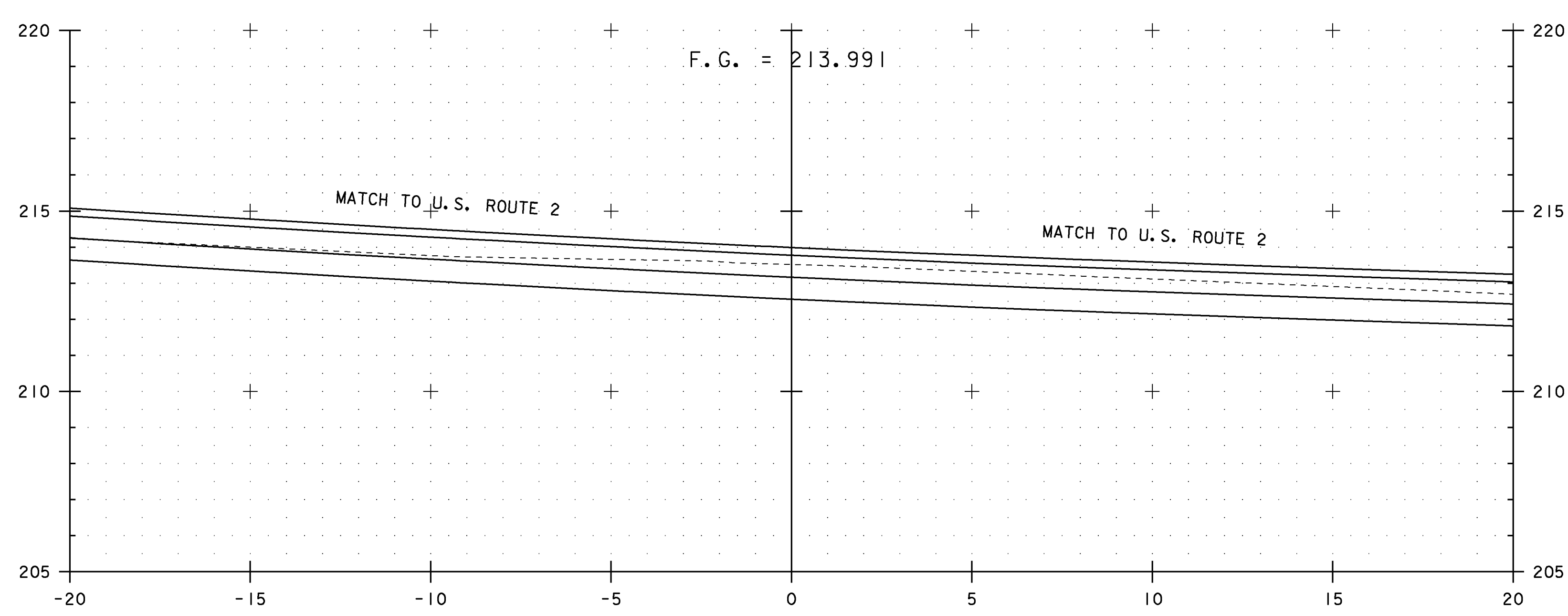
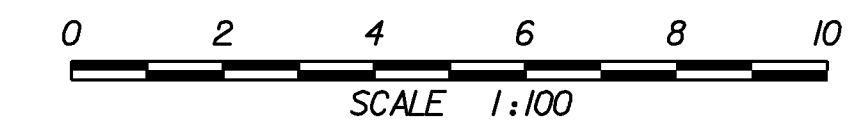


14+035.00



14+026.00 =  
U.S. ROUTE 2 STA 4+800.00



- NOTES:
1. ALL BURIED UTILITIES ARE EXISTING, THE LOCATIONS ARE APPROXIMATE AND ARE TO REMAIN UNDISTURBED
  2. DRAINAGE FEATURES DISPLAYED ON CROSS SECTIONS ARE PROJECTED. SEE DRAINAGE DETAIL SHEETS, LAYOUTS AND PROFILES FOR TRUE LOCATIONS

STA. 14+026 TO STA. 14+035

PROJECT NAME: EAST MONTPELIER	PLOT DATE: 22-MAR-2010
PROJECT NUMBER: STPG 028 - 3(35)S	DRAWN BY: D. LYMAN
FILE NAME: +98b028xsl.dgn	CHECKED BY: J. DEVLIN
PROJECT LEADER: J. SCHULTZ	SHEET 116 OF 142
DESIGNED BY: J. GRUCHACZ	
VT ROUTE 14 CROSS SECTION SHEET 1	