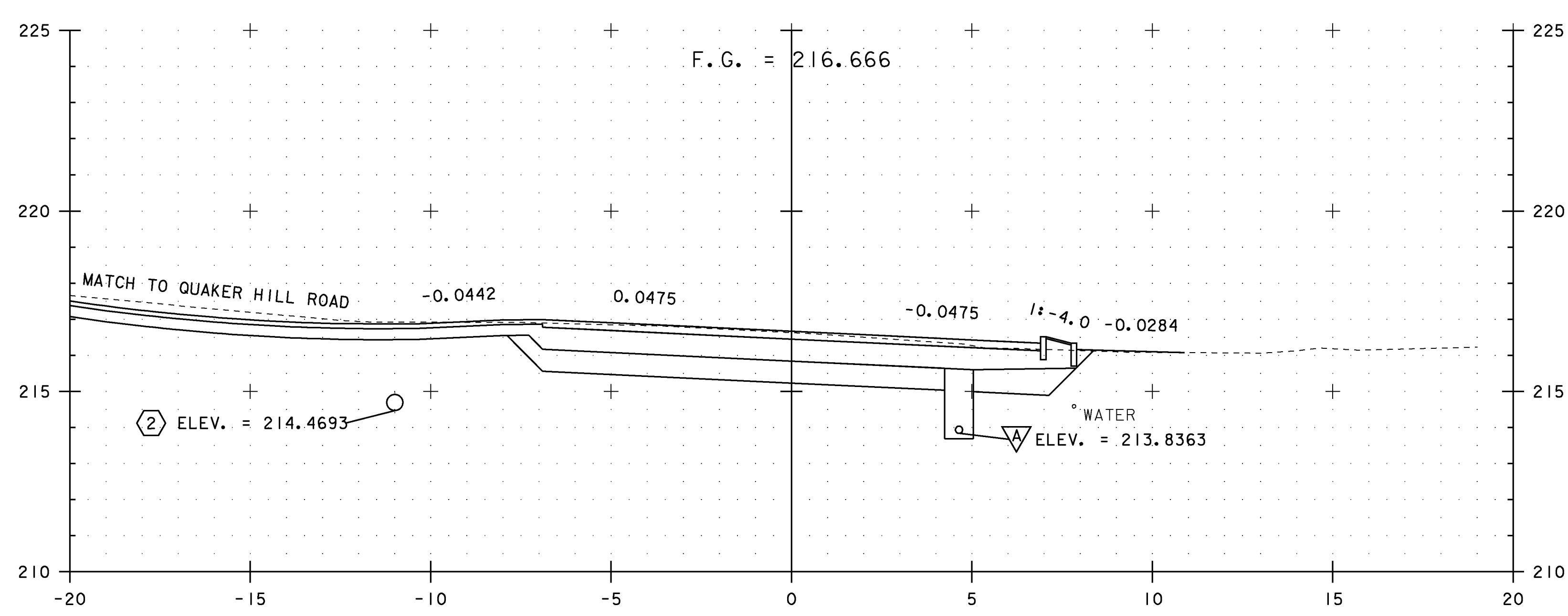
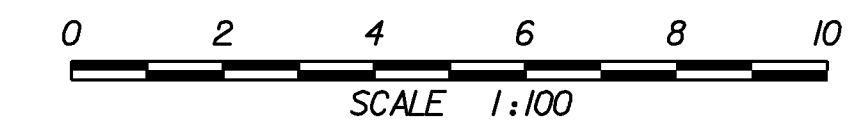


4+740.00



4+735.50



- NOTES:
1. ALL BURIED UTILITIES ARE EXISTING, THE LOCATIONS ARE APPROXIMATE AND ARE TO REMAIN UNDISTURBED
 2. DRAINAGE FEATURES DISPLAYED ON CROSS SECTIONS ARE PROJECTED. SEE DRAINAGE DETAIL SHEETS, LAYOUTS AND PROFILES FOR TRUE LOCATIONS

PROJECT NAME:	EAST MONTPELIER
PROJECT NUMBER:	STPG 028 - 3(35)S
FILE NAME:	+98b028xsl.dgn
PROJECT LEADER:	J. SCHULTZ
DESIGNED BY:	J. GRUCHACZ
US ROUTE 2 CROSS SECTION SHEET 6	
PLOT DATE:	22-MAR-2010
DRAWN BY:	D. LYMAN
CHECKED BY:	J. DEVLIN
SHEET	104 OF 142

STA. 4+735.50 TO STA. 4+740