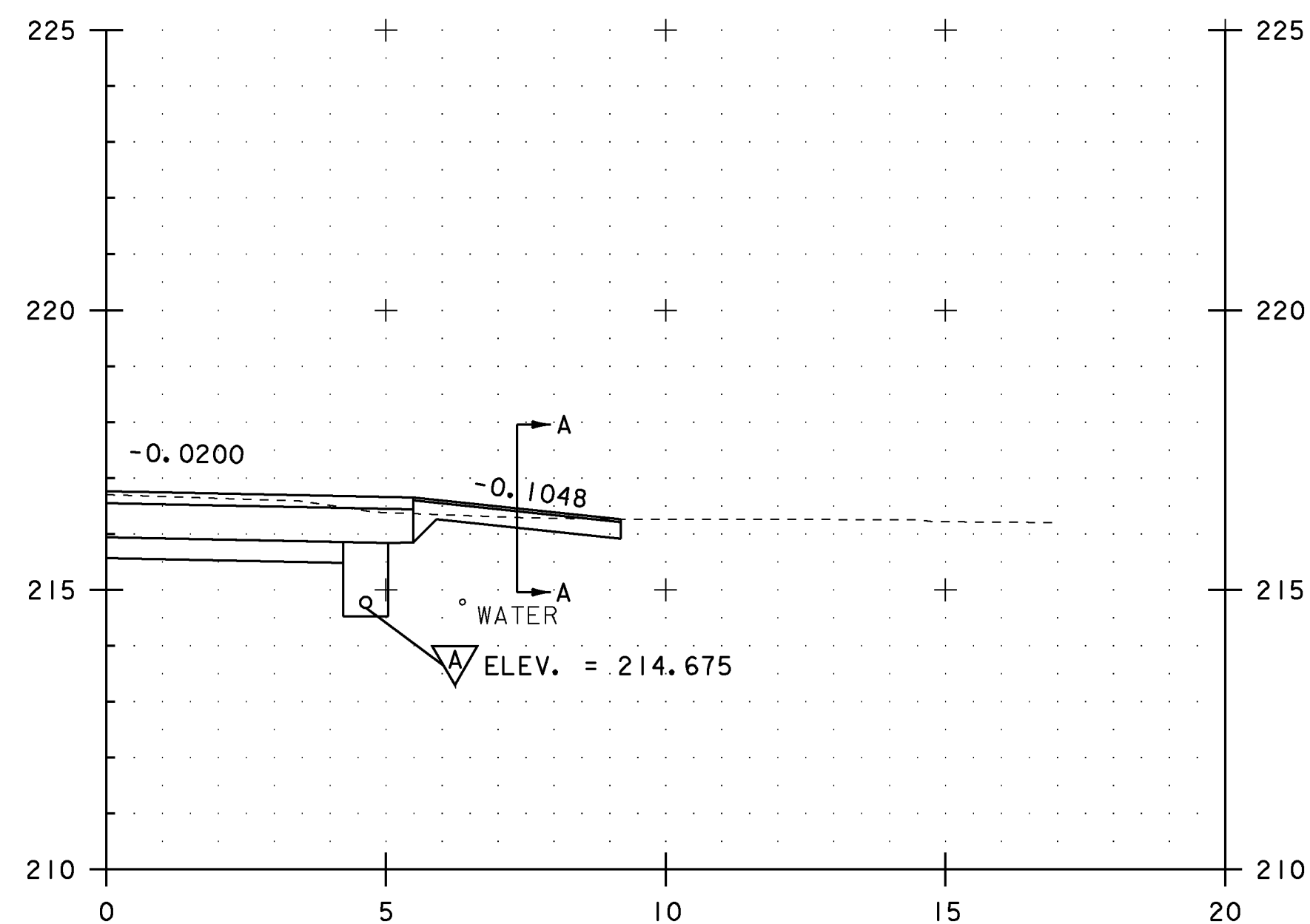
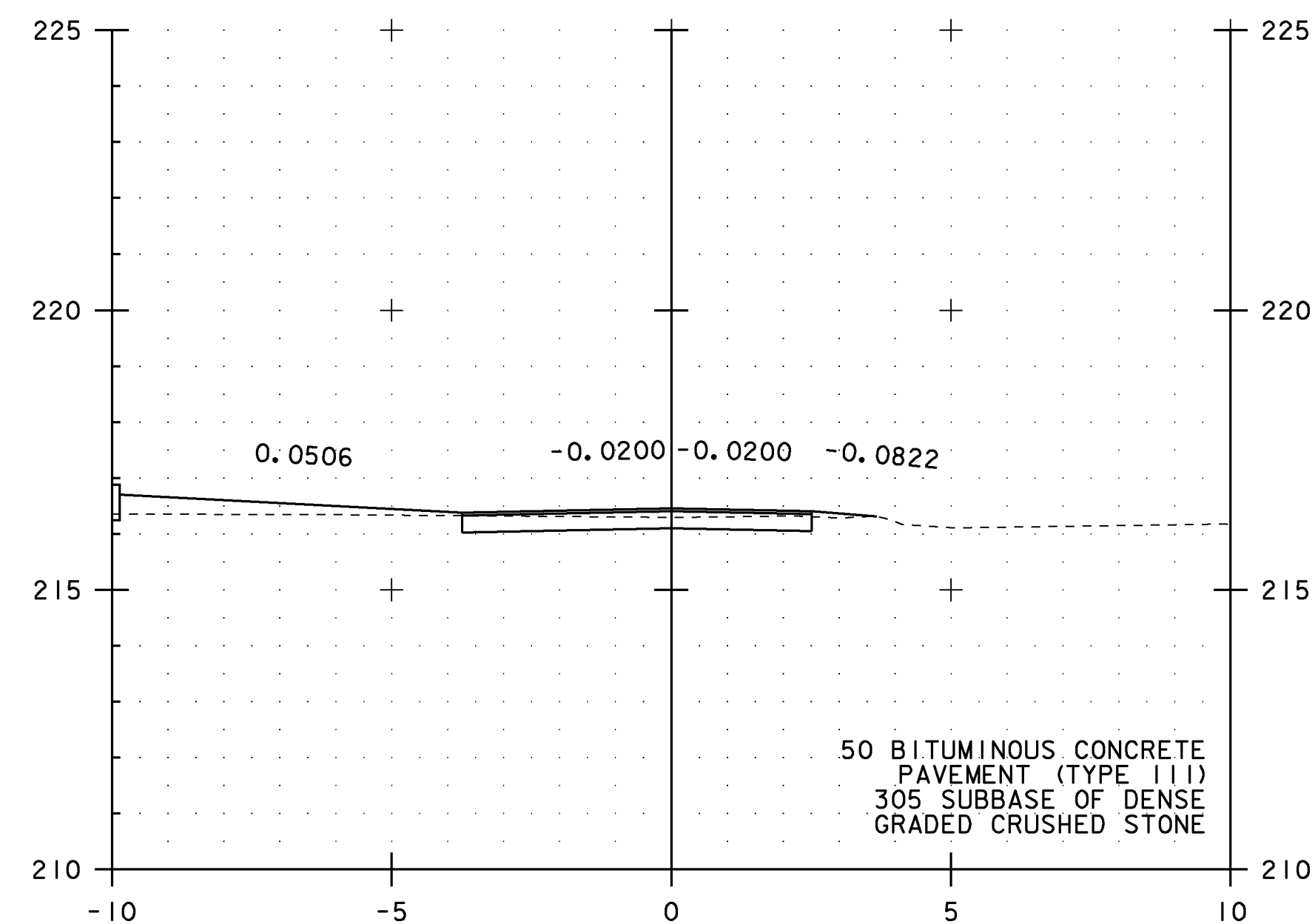


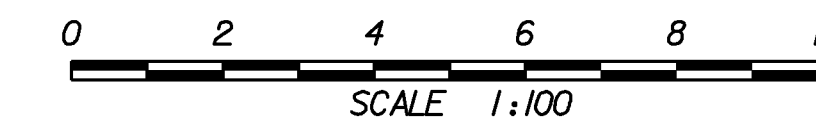
4+700.00



4+699.00
PAVED DRIVE RT



SECTION A-A



NOTES:

1. ALL BURIED UTILITIES ARE EXISTING, THE LOCATIONS ARE APPROXIMATE AND ARE TO REMAIN UNDISTURBED
2. DRAINAGE FEATURES DISPLAYED ON CROSS SECTIONS ARE PROJECTED. SEE DRAINAGE DETAIL SHEETS, LAYOUTS AND PROFILES FOR TRUE LOCATIONS

STA. 4+699 TO STA. 4+700

PROJECT NAME: EAST MONTPELIER
PROJECT NUMBER: STPG 028 - 3(35)S

FILE NAME: +98b028xsl.dgn
 PROJECT LEADER: J. SCHULTZ
 DESIGNED BY: J. GRUCHACZ
 US ROUTE 2 CROSS SECTION SHEET 2

PLOT DATE: 22-MAR-2010
 DRAWN BY: D. LYMAN
 CHECKED BY: J. DEVLIN
 SHEET 100 OF 142