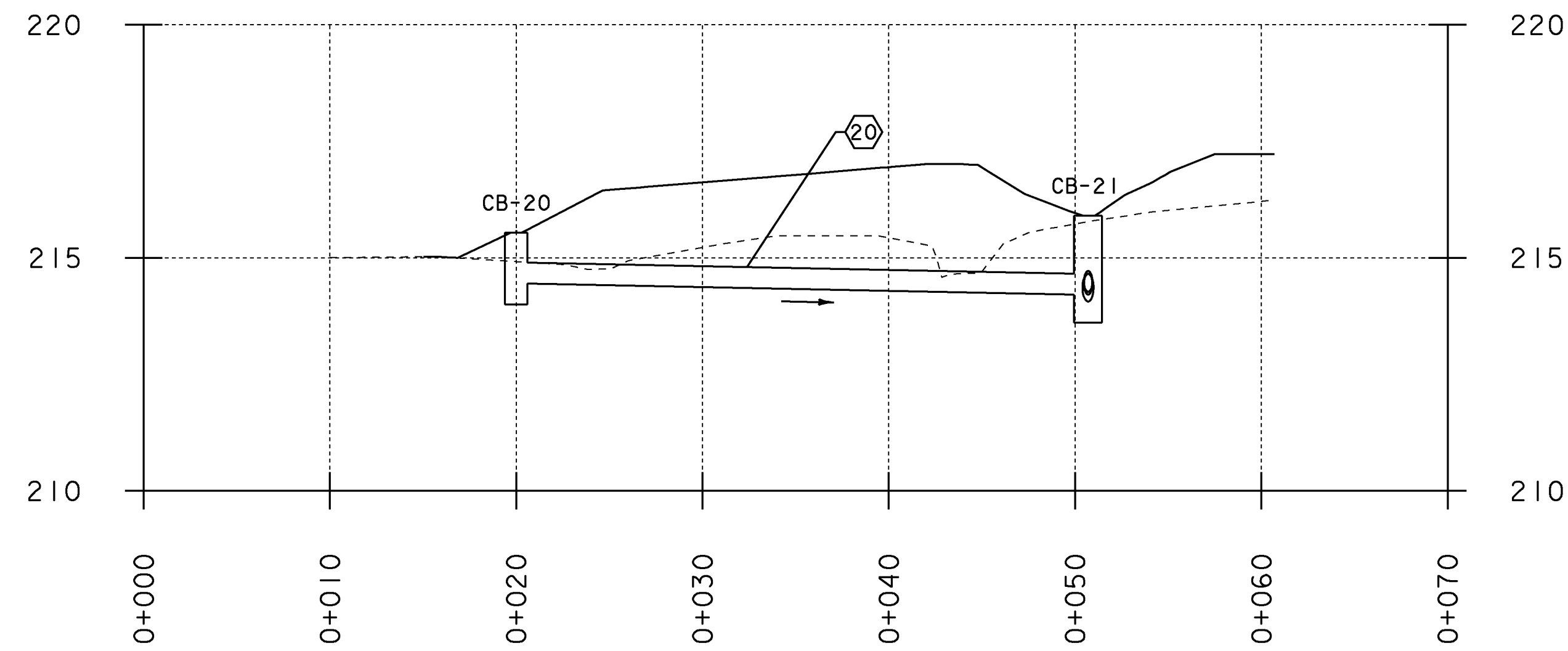


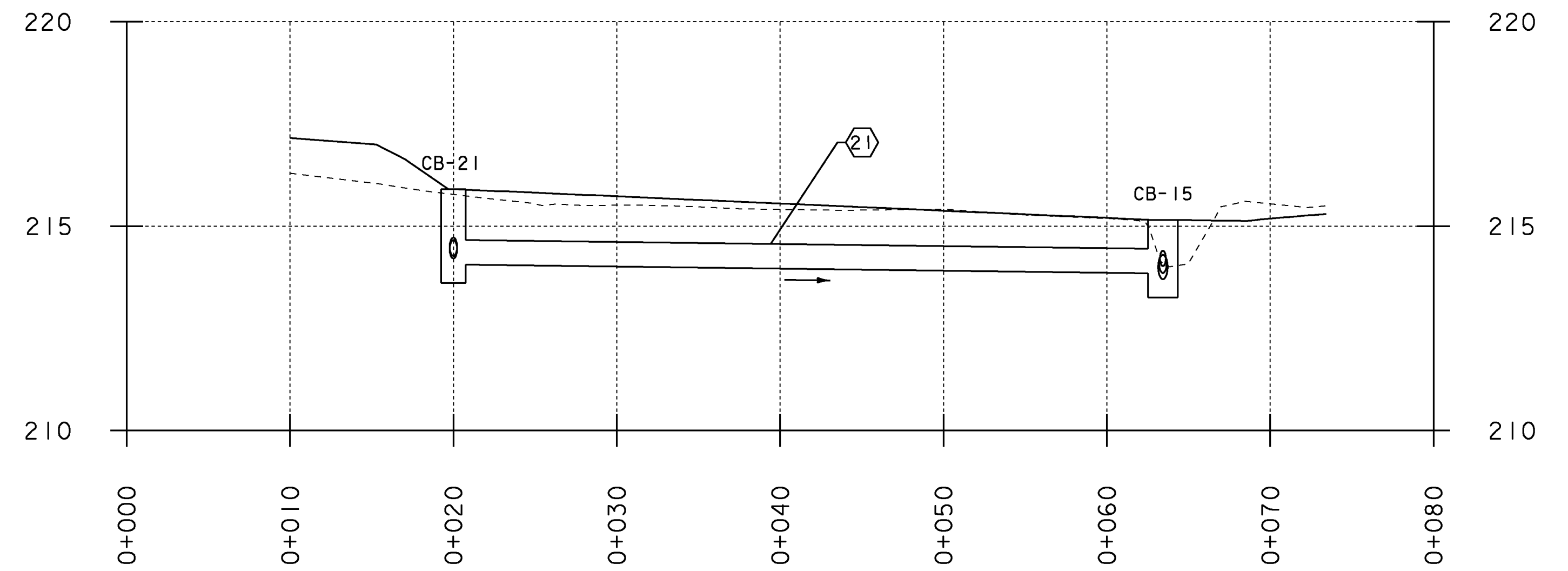
PIPE 20



CB-20
 GRATE: TYPE D
 RIM EL = 215.54M
 DIAM. = 1200MM
 DEPTH = 1.54M

20
 SLOPE = 0.81%
 NEW PIPE
 TYPE: OPTION PIPE
 LENGTH = 30.70M
 DIAMETER = 450.00MM
 INV IN = 214.45M
 INV OUT = 214.21M

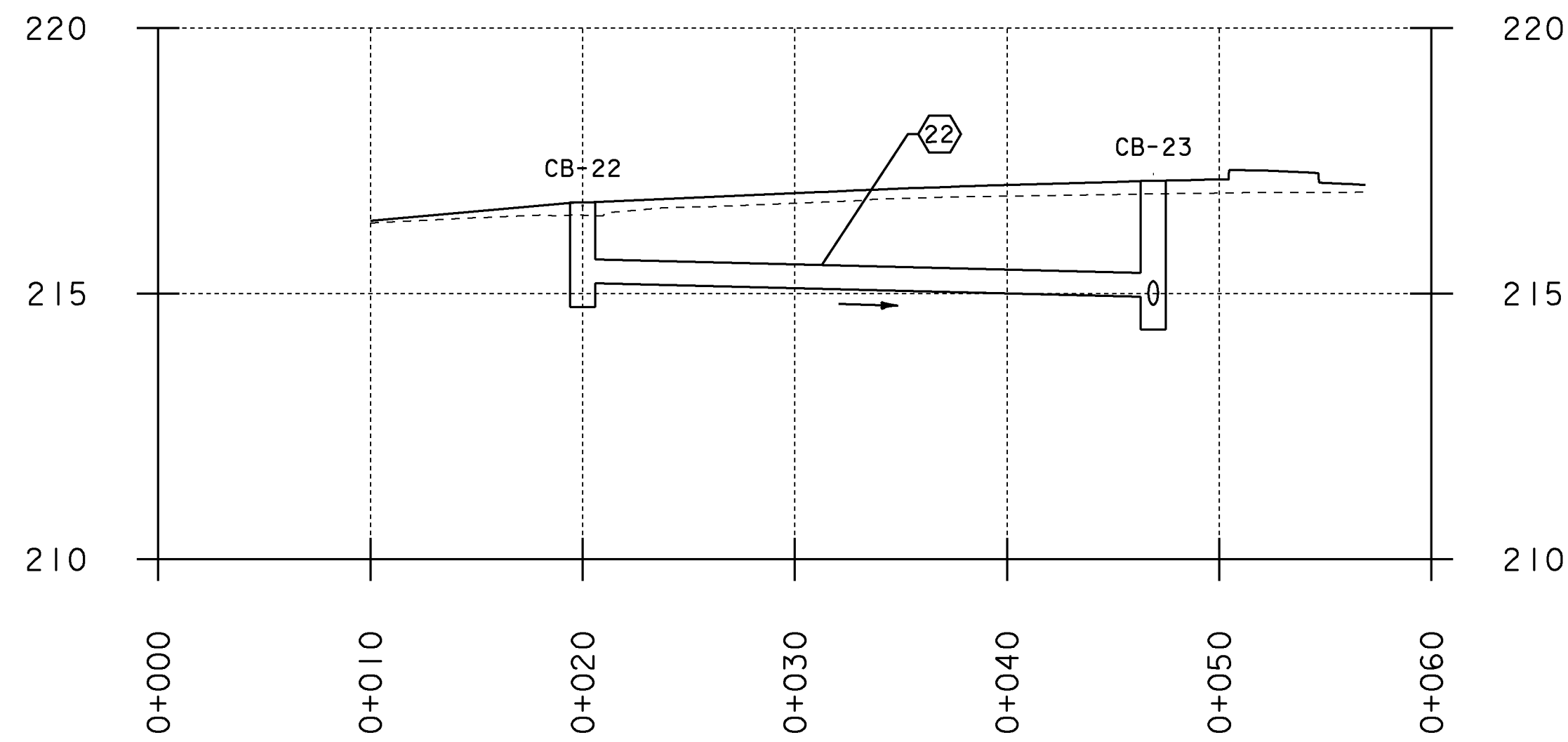
PIPE 21



CB-21
 GRATE: TYPE D
 RIM EL = 215.90M
 DIAM. = 1500M
 DEPTH = 2.29M

21
 SLOPE = 0.50%
 NEW PIPE
 TYPE: OPTION PIPE
 LENGTH = 43.43M
 DIAMETER = 600.00MM
 INV IN = 214.06M
 INV OUT = 213.85M

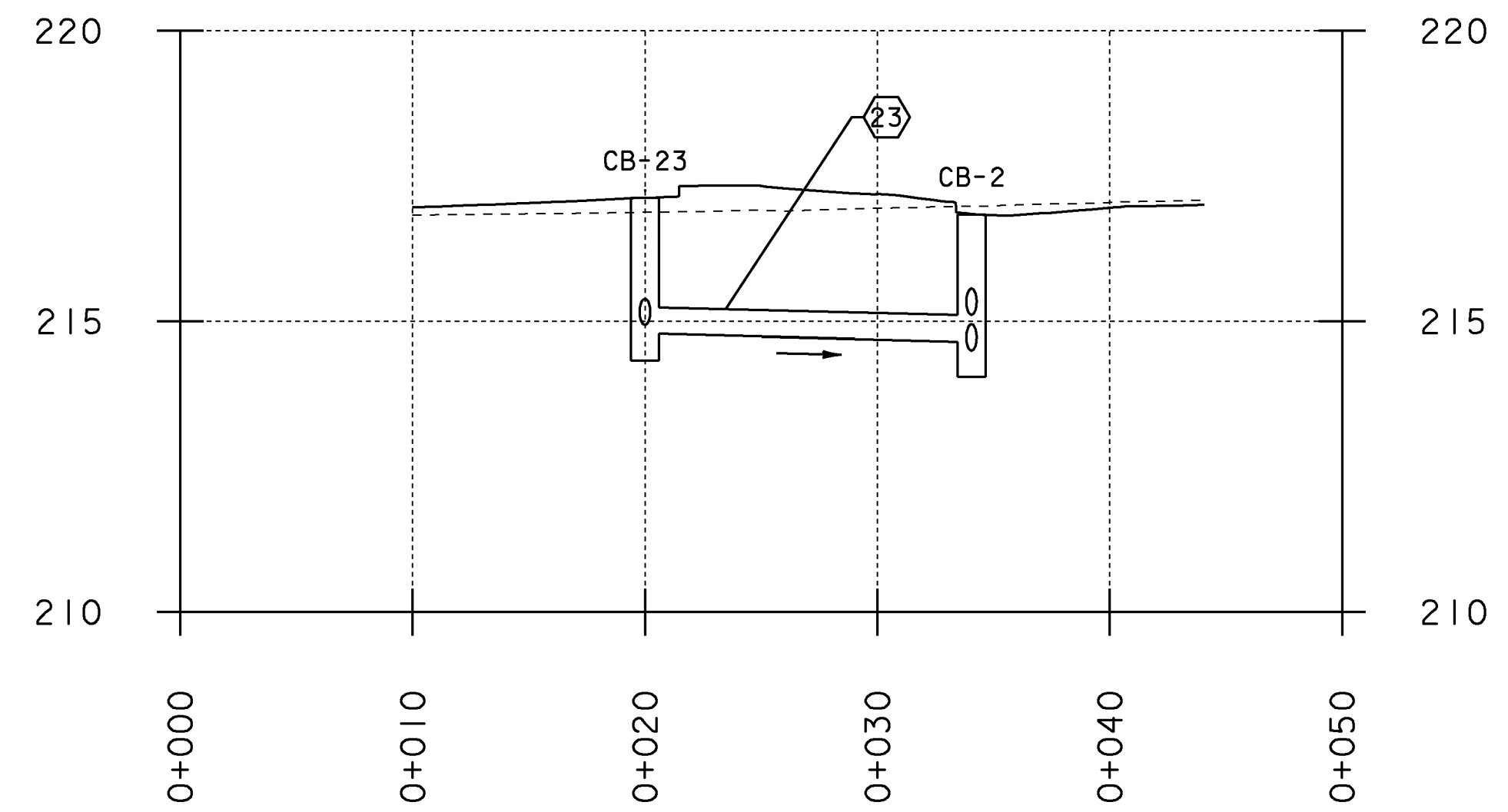
PIPE 22



CB-22
 GRATE: TYPE D
 RIM EL = 216.72M
 DIAM. = 1200M
 DEPTH = 1.97M

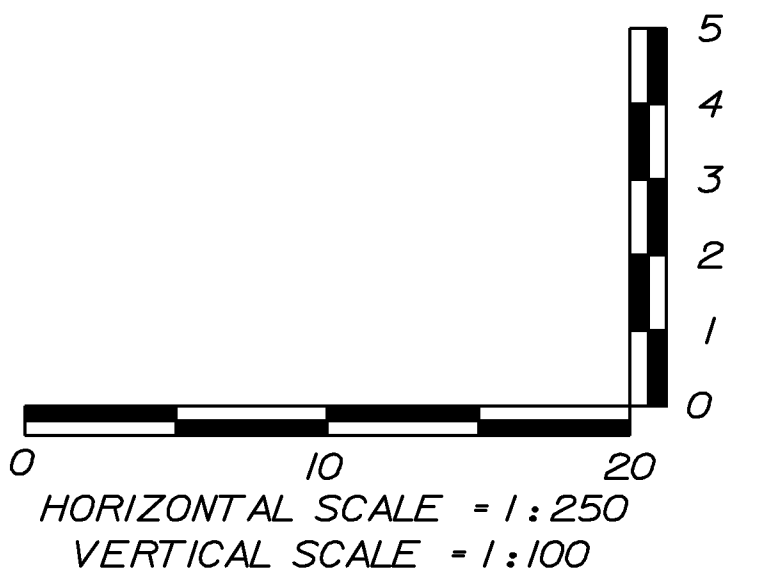
22
 SLOPE = 1.00%
 NEW PIPE
 TYPE: OPTION PIPE
 LENGTH = 26.89M
 DIAMETER = 450.00MM
 INV IN = 215.19M
 INV OUT = 214.94M

PIPE 23



CB-23
 GRATE: TYPE D
 RIM EL = 217.12M
 DIAM. = 1200M
 DEPTH = 2.79M

23
 SLOPE = 1.00%
 NEW PIPE
 TYPE: OPTION PIPE
 LENGTH = 14.05M
 DIAMETER = 450.00MM
 INV IN = 214.78M
 INV OUT = 214.66M



PROJECT NAME: EAST MONTPELIER	PLOT DATE: 22-MAR-2010
PROJECT NUMBER: STPG 028 - 3(35)S	DRAWN BY: D. LYMAN
FILE NAME: +98b028profile.dgn	CHECKED BY: J. DEVLIN
PROJECT LEADER: J.SCHULTZ	SHEET 46 OF 142
DESIGNED BY: J. GRUCHACZ	
DRAINAGE PROFILE SHEET 5	