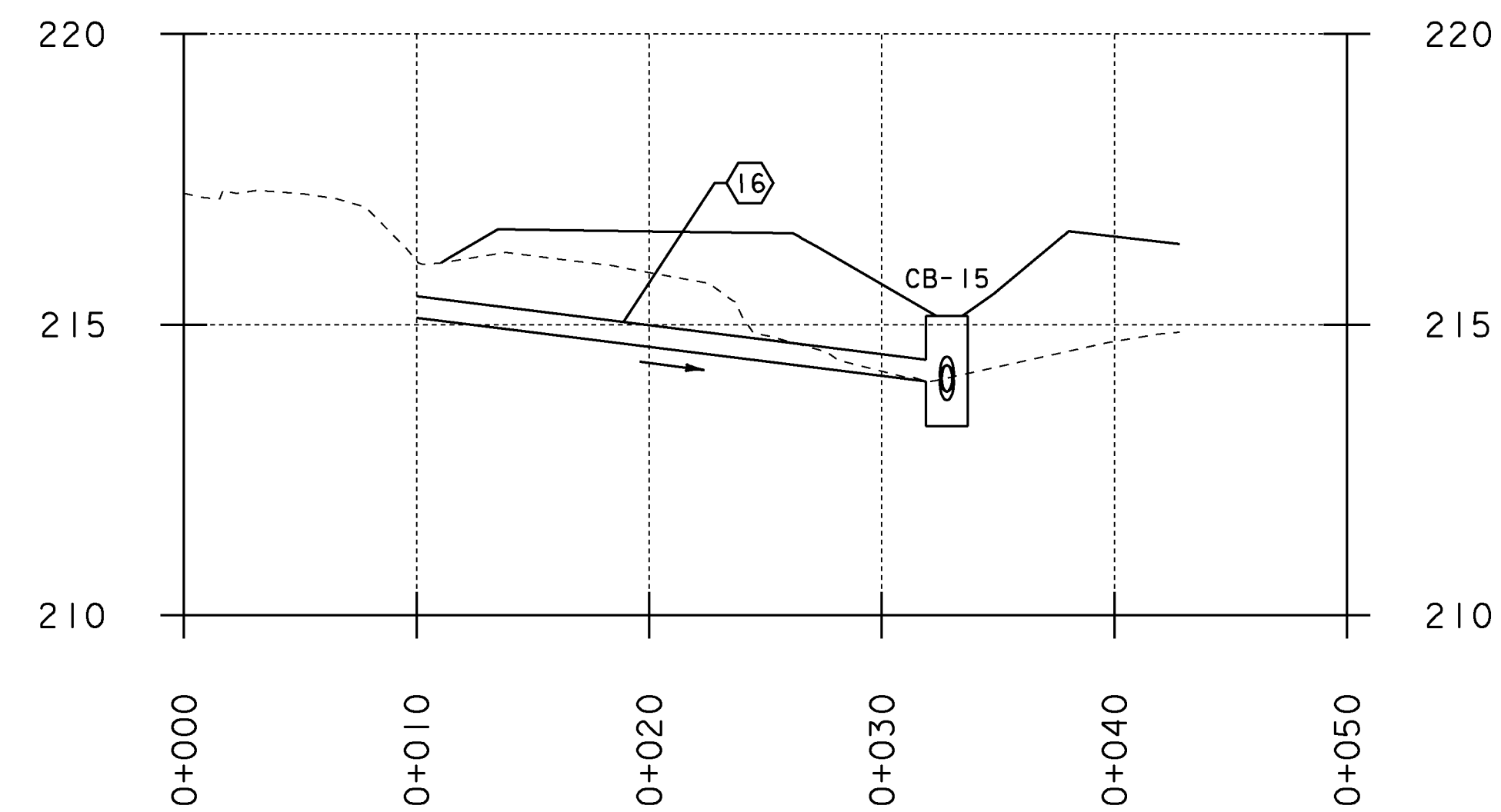
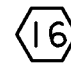
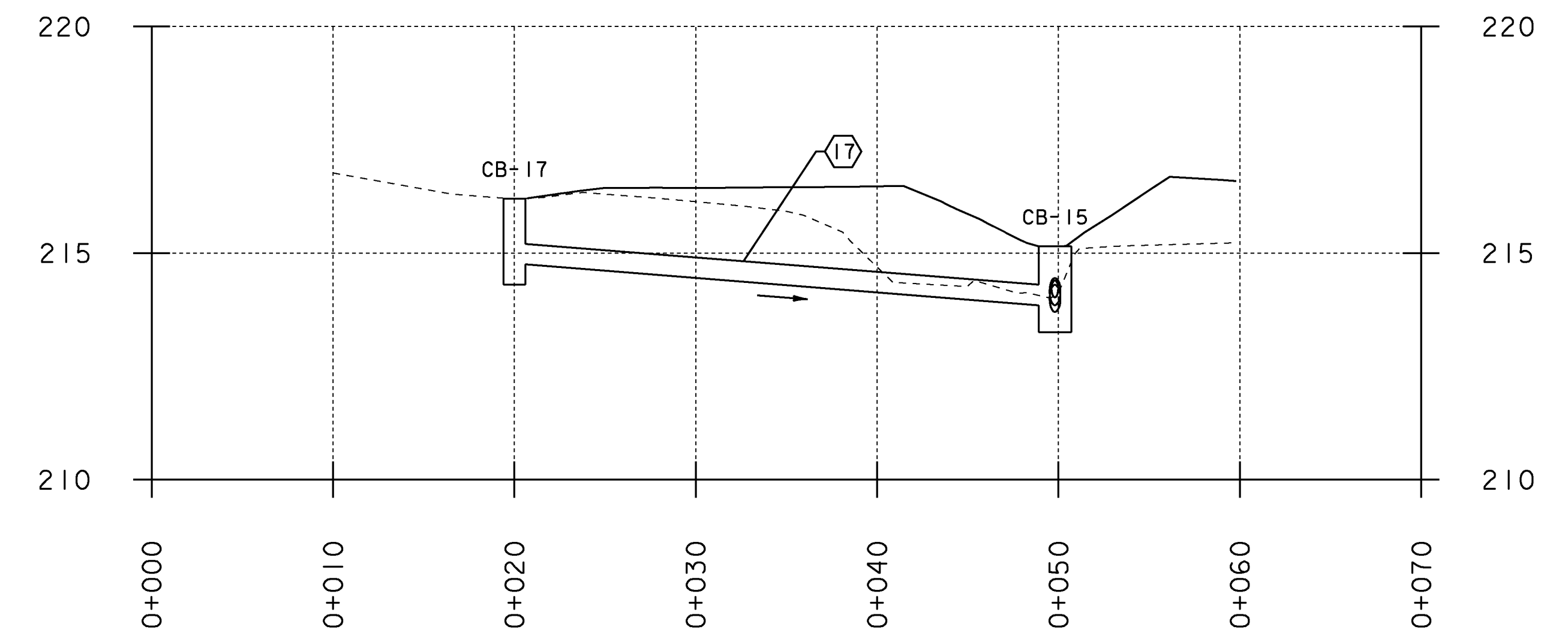



### PIPE 16



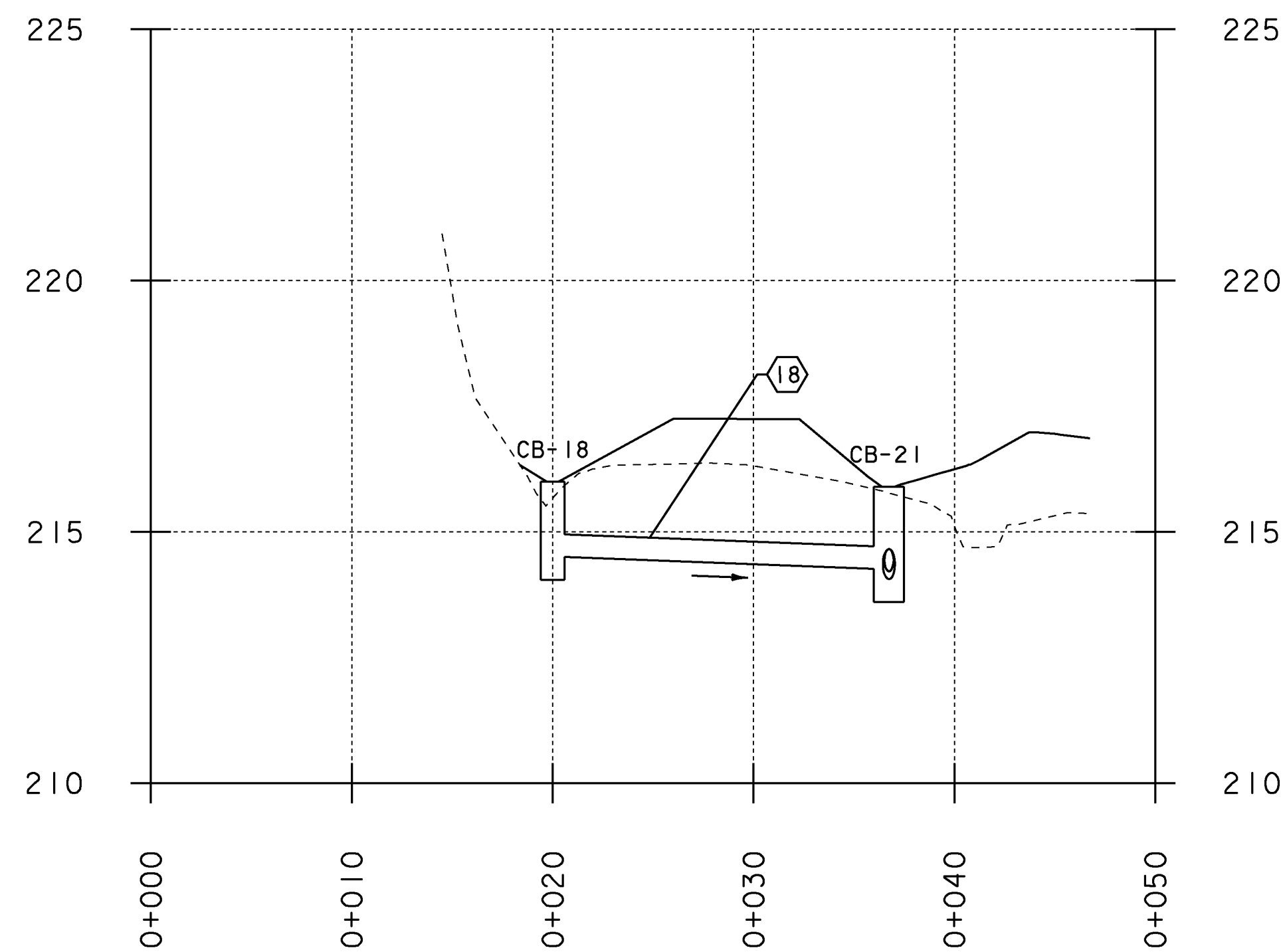
  
 SLOPE = 5.00%  
 NEW PIPE  
 TYPE: OPTION PIPE  
 LENGTH = 22.83M  
 DIAMETER = 375.00MM  
 INV IN = 215.12M  
 INV OUT = 214.02M


### PIPE 17



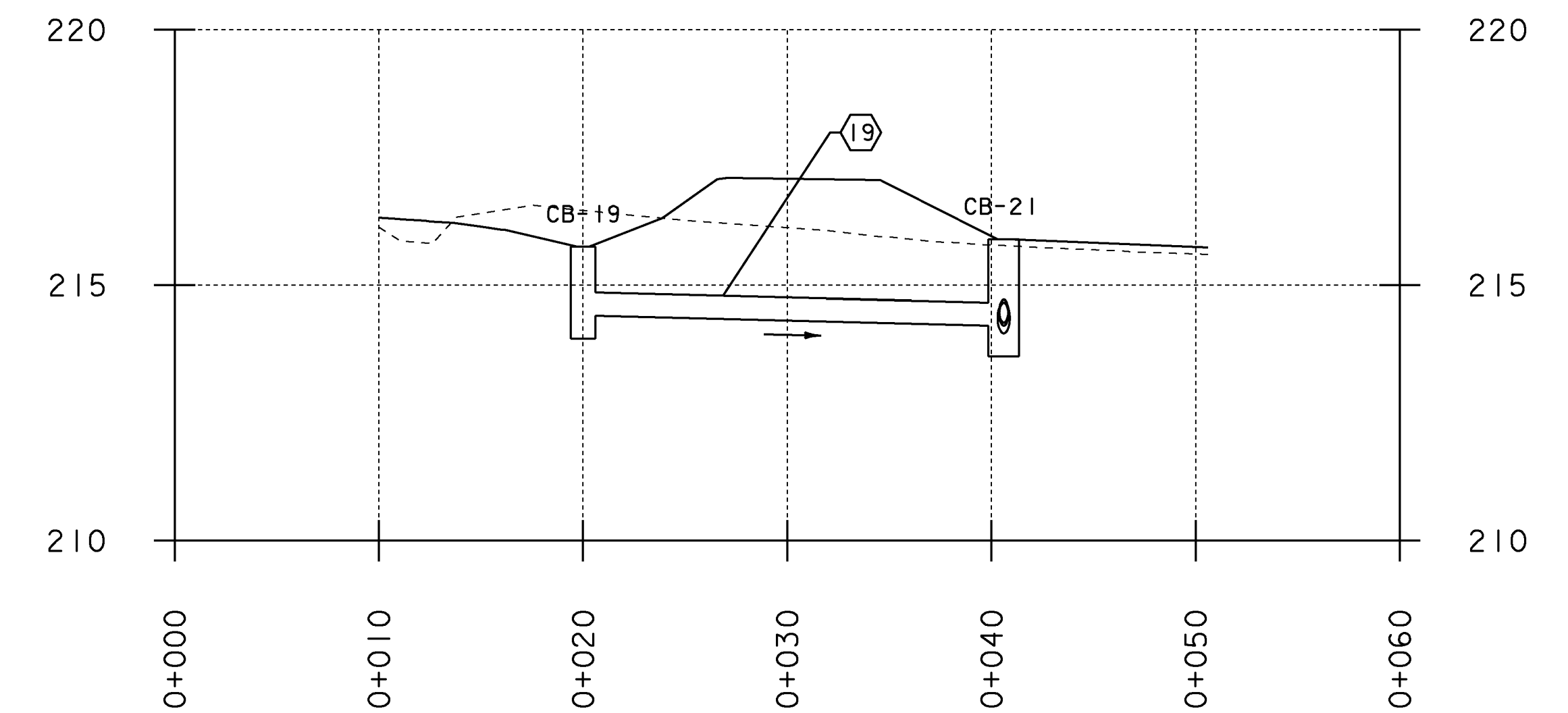
CB-17  
 GRATE: TYPE D  
 RIM EL = 216.20M  
 DIAM. = 1200MM  
 DEPTH = 1.90M  
  
 SLOPE = 3.18%  
 NEW PIPE  
 TYPE: OPTION PIPE  
 LENGTH = 29.82M  
 DIAMETER = 450.00MM  
 INV IN = 214.75M  
 INV OUT = 213.85M

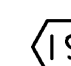
### PIPE 18

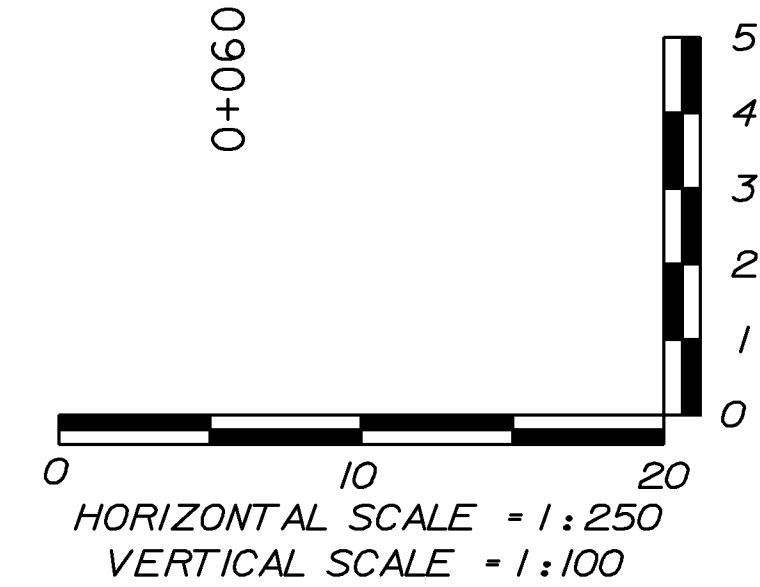


CB-18  
 GRATE: TYPE D  
 RIM EL = 216.00M  
 DIAM. = 1200MM  
 DEPTH = 1.95M  
  
 SLOPE = 1.50%  
 NEW PIPE  
 TYPE: OPTION PIPE  
 LENGTH = 16.75M  
 DIAMETER = 450.00MM  
 INV IN = 214.50M  
 INV OUT = 214.27M

### PIPE 19



CB-19  
 GRATE: TYPE D  
 RIM EL = 215.75M  
 DIAM. = 1200MM  
 DEPTH = 1.79M  
  
 SLOPE = 1.00%  
 NEW PIPE  
 TYPE: OPTION PIPE  
 LENGTH = 20.61M  
 DIAMETER = 450.00MM  
 INV IN = 214.40M  
 INV OUT = 214.21M



PROJECT NAME: EAST MONTPELIER  
 PROJECT NUMBER: STPG 028 - 3(35)S

FILE NAME: +98b028profile.dgn  
 PROJECT LEADER: J.SCHULTZ  
 DESIGNED BY: J. GRUCHACZ  
 DRAINAGE PROFILE SHEET 4  
 PLOT DATE: 22-MAR-2010  
 DRAWN BY: D. LYMAN  
 CHECKED BY: J. DEVLIN  
 SHEET 45 OF 142