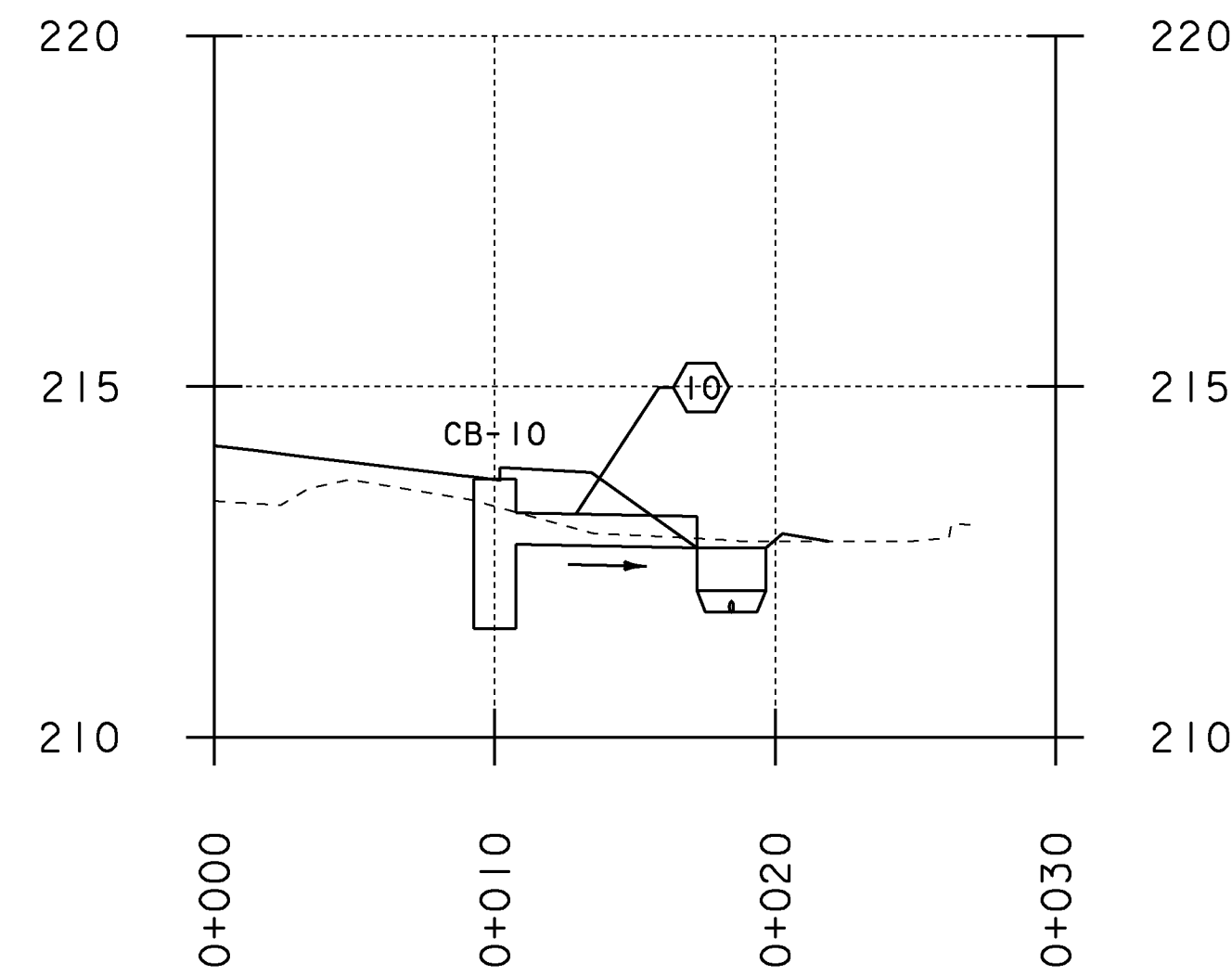


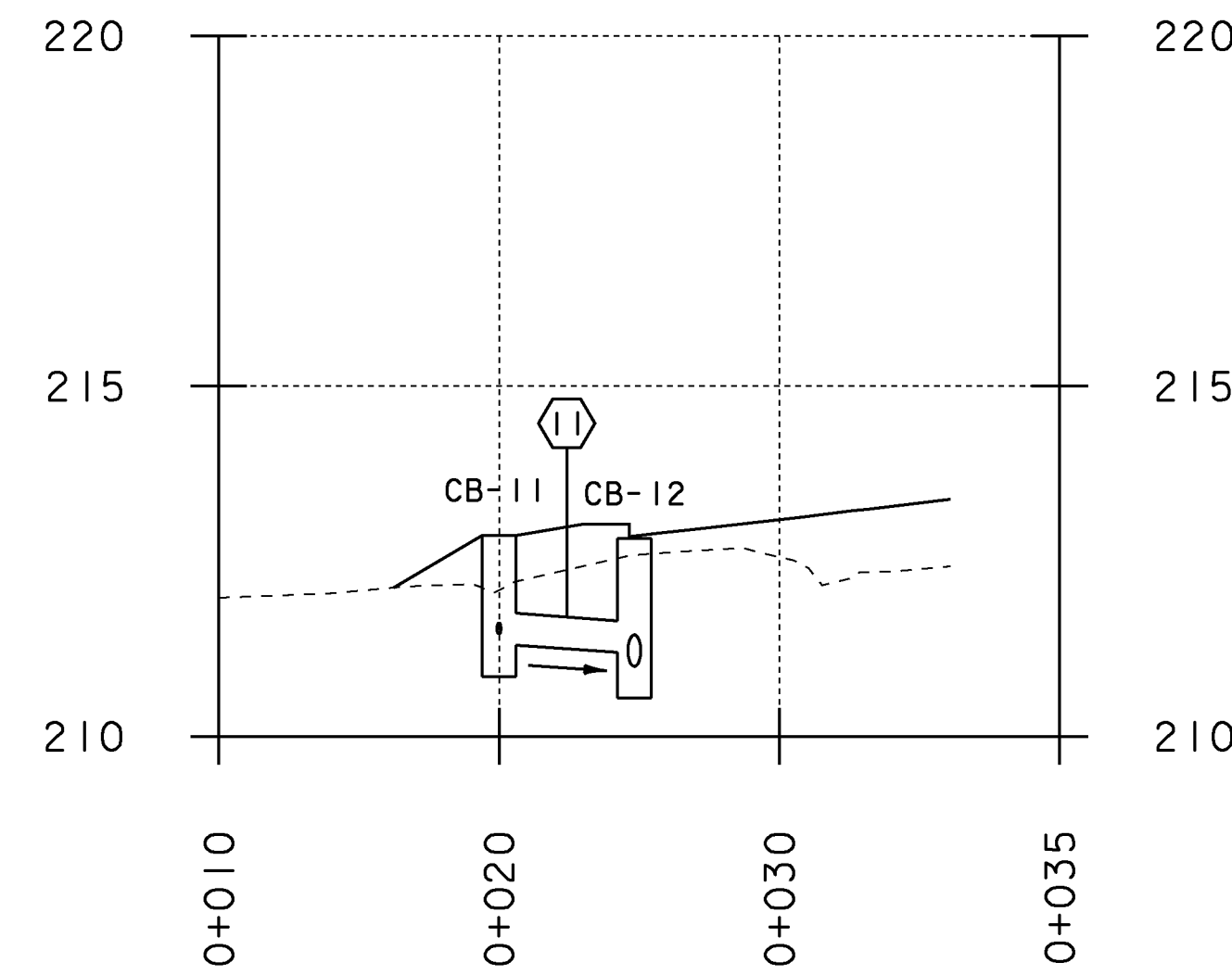
PIPE 10



CB-10
 GRATE: TYPE D
 RIM EL = 213.68M
 DIAM. = 1500MM
 DEPTH = 2.13M

10
 SLOPE = 0.77%
 NEW PIPE
 TYPE: OPTION PIPE
 LENGTH = 7.21M
 DIAMETER = 450.00MM
 INV IN = 212.75M
 INV OUT = 212.70M

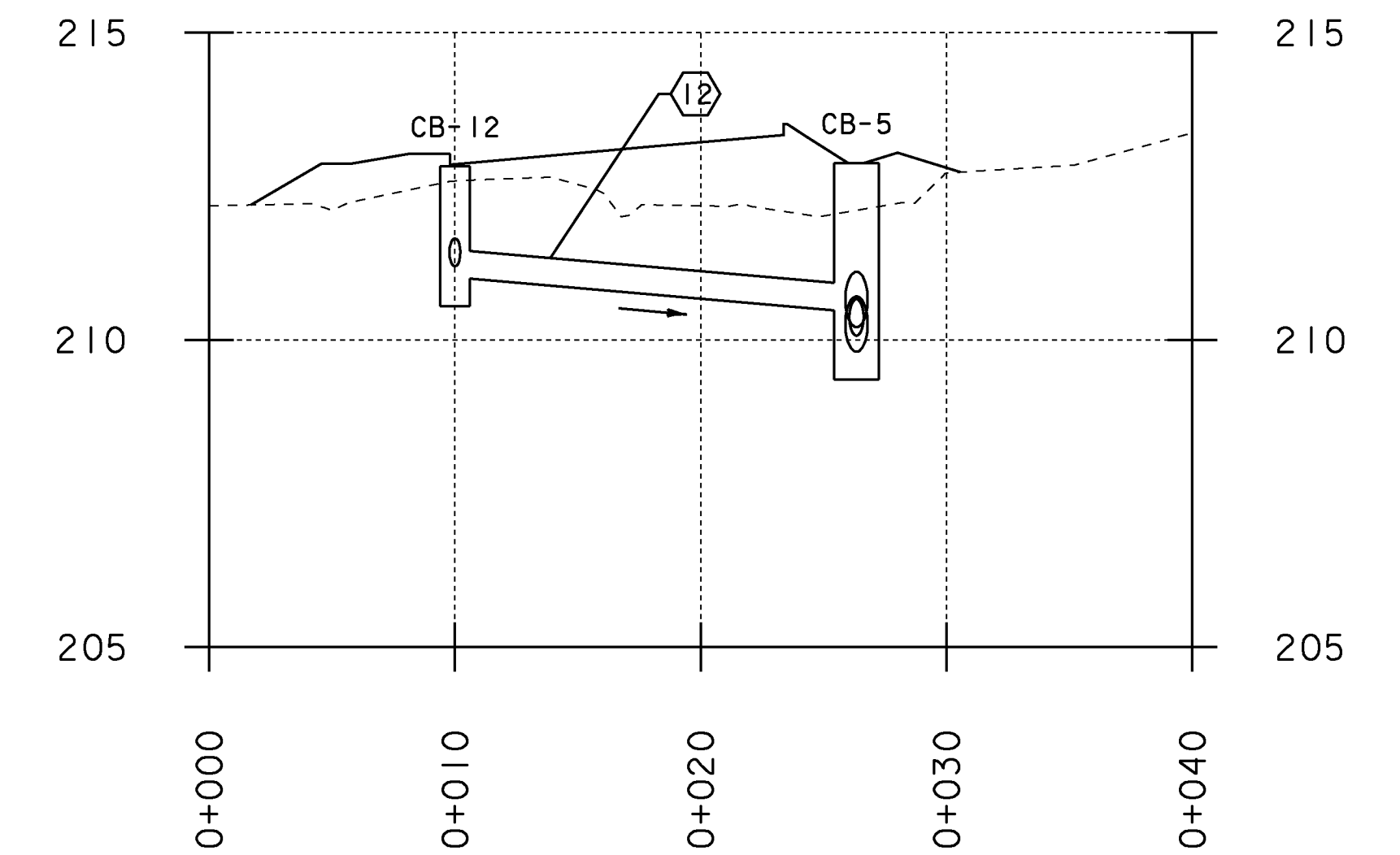
PIPE 11



CB-11
 GRATE: TYPE D
 RIM EL = 212.87M
 DIAM. = 1200MM
 DEPTH = 2.02M

11
 SLOPE = 2.89%
 NEW PIPE
 TYPE: OPTION PIPE
 LENGTH = 4.83M
 DIAMETER = 450.00MM
 INV IN = 211.31M
 INV OUT = 211.20M

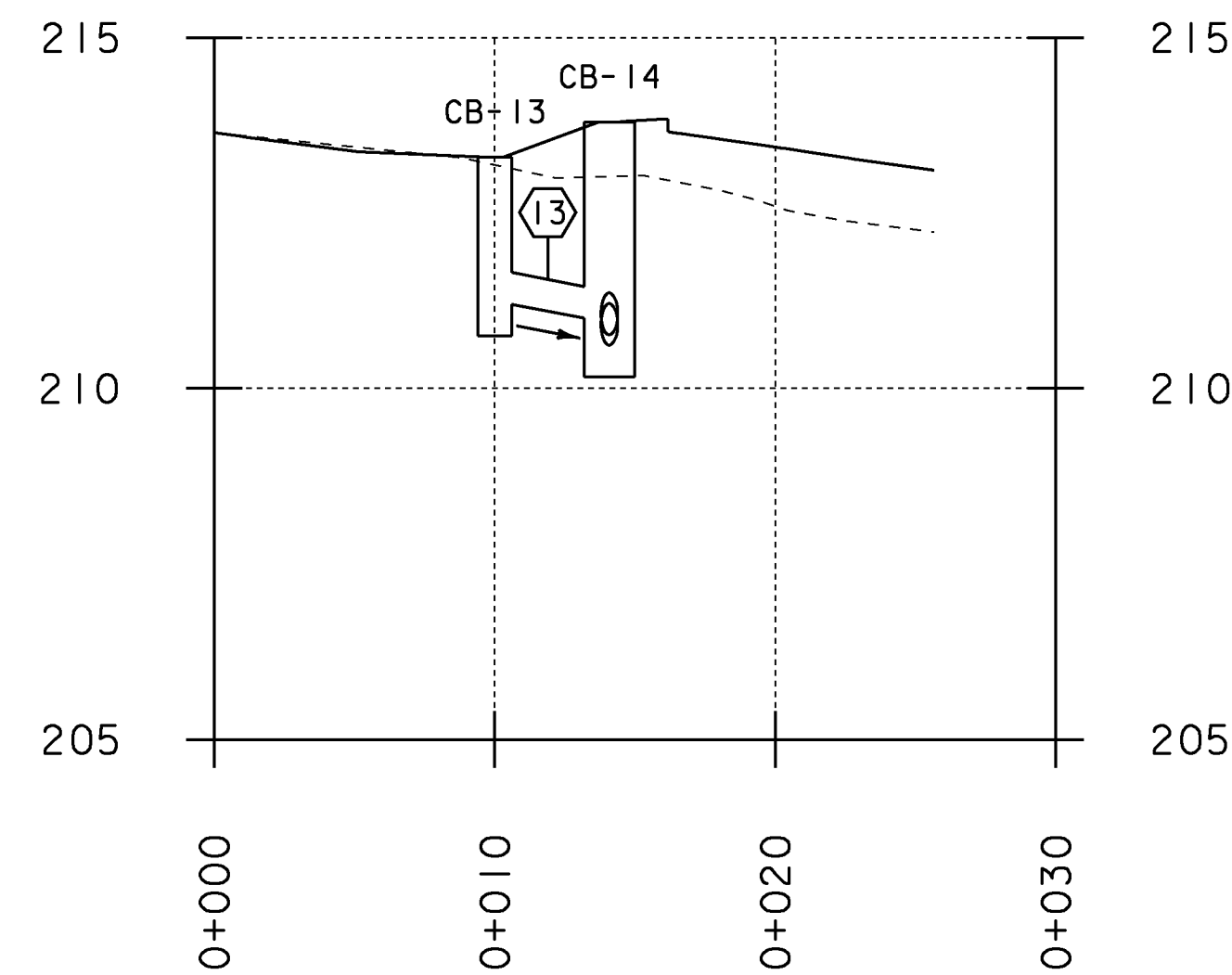
PIPE 12



CB-12
 GRATE: TYPE D
 RIM EL = 212.82M
 DIAM. = 1200MM
 DEPTH = 2.27M

12
 SLOPE = 3.50%
 NEW PIPE
 TYPE: OPTION PIPE
 LENGTH = 16.35M
 DIAMETER = 450.00MM
 INV IN = 211.00M
 INV OUT = 210.48M

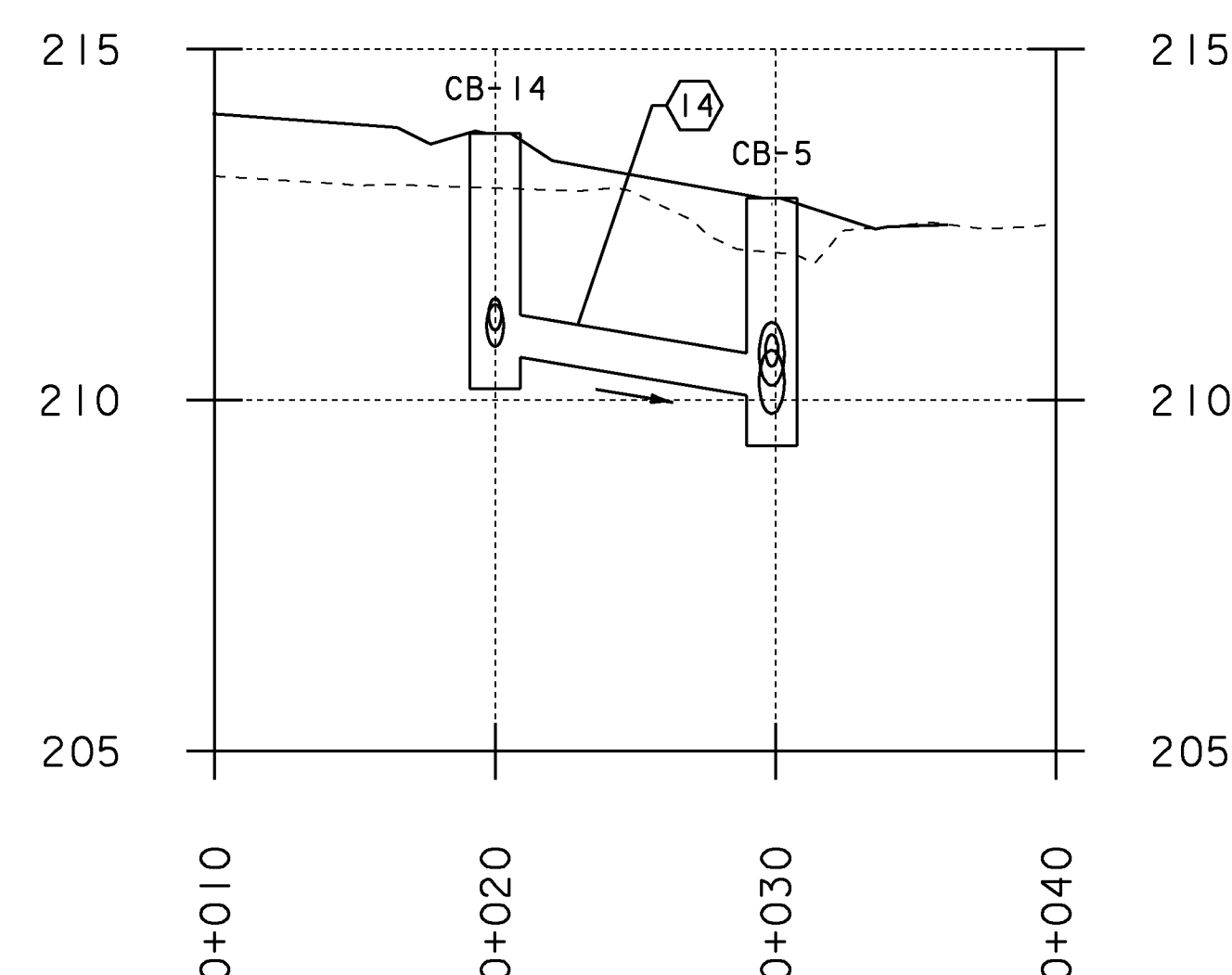
PIPE 13



CB-13
 GRATE: TYPE D
 RIM EL = 213.30M
 DIAM. = 1200MM
 DEPTH = 2.55M

13
 SLOPE = 7.76%
 NEW PIPE
 TYPE: OPTION PIPE
 LENGTH = 4.09M
 DIAMETER = 450.00MM
 INV IN = 211.20M
 INV OUT = 211.00M

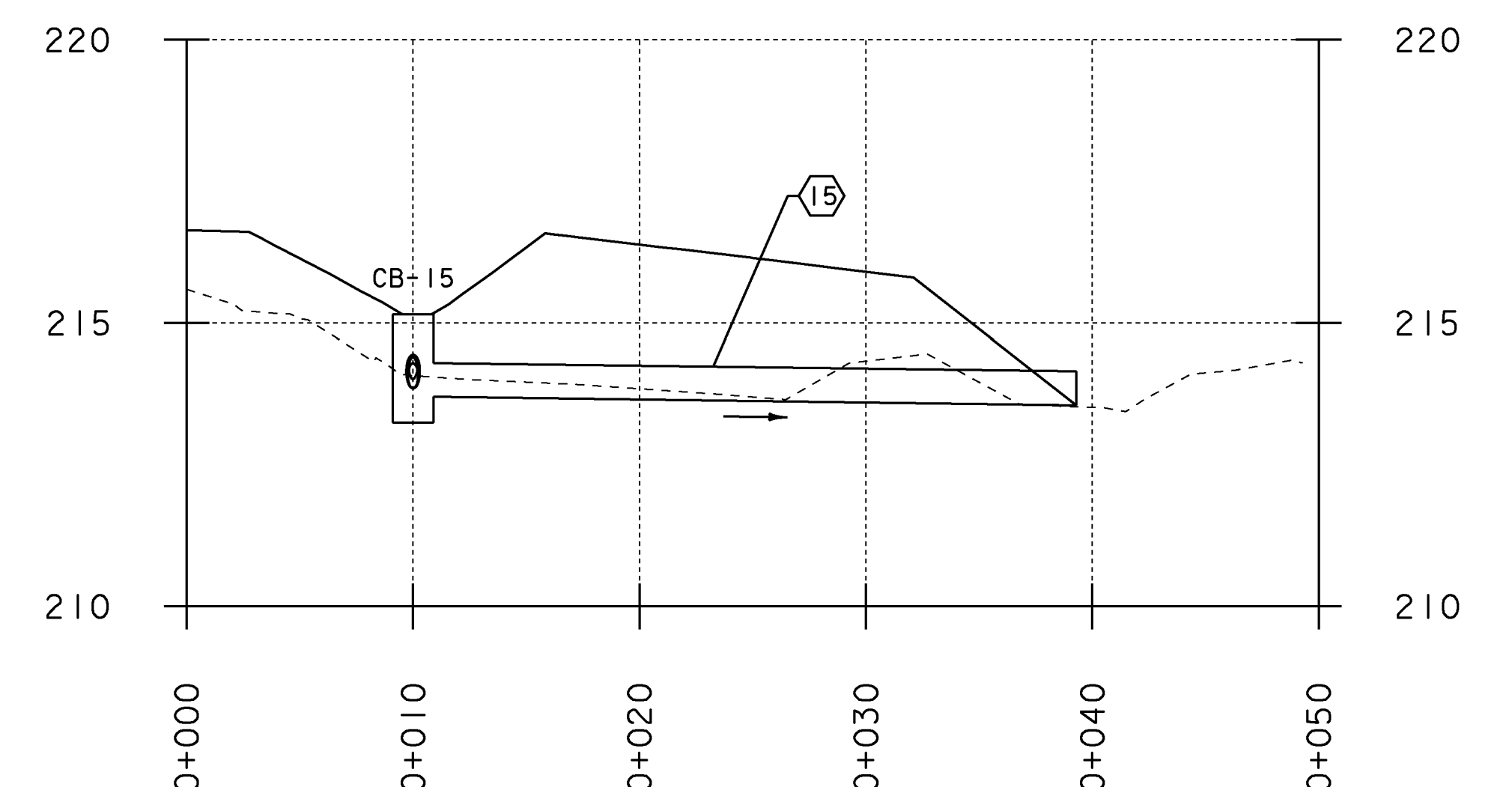
PIPE 14



CB-14
 GRATE: TYPE D
 RIM EL = 213.80M
 DIAM. = 1800MM
 DEPTH = 3.64M

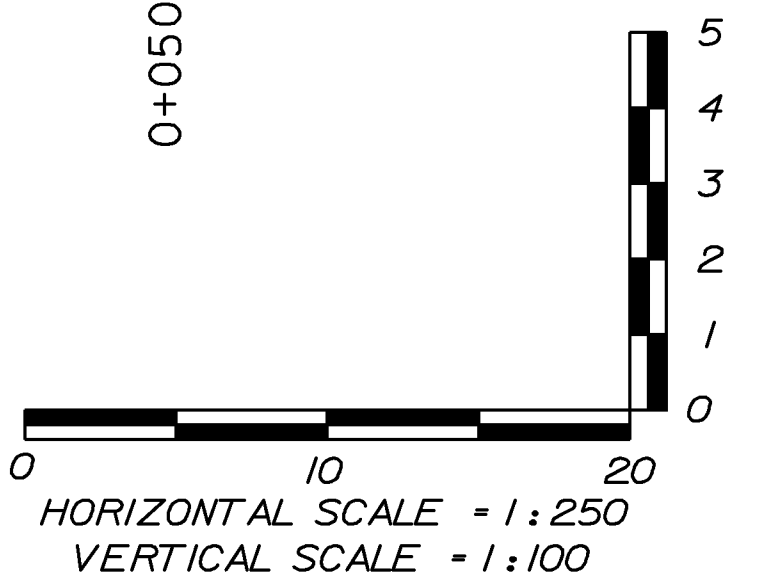
14
 SLOPE = 6.76%
 NEW PIPE
 TYPE: OPTION PIPE
 LENGTH = 9.88M
 DIAMETER = 600.00MM
 INV IN = 210.61M
 INV OUT = 210.07M

PIPE 15



CB-15
 GRATE: TYPE D
 RIM EL = 215.15M
 DIAM. = 1800MM
 DEPTH = 1.90M

15
 SLOPE = 0.53%
 NEW PIPE
 TYPE: OPTION PIPE
 LENGTH = 29.29M
 DIAMETER = 600.00MM
 INV IN = 213.70M
 INV OUT = 213.55M



PROJECT NAME: EAST MONTPELIER
 PROJECT NUMBER: STPG 028 - 3(35)S

FILE NAME: +98b028profile.dgn
 PROJECT LEADER: J.SCHULTZ
 DESIGNED BY: J. GRUCHACZ
 DRAINAGE PROFILE SHEET 3

PLOT DATE: 22-MAR-2010
 DRAWN BY: D. LYMAN
 CHECKED BY: J. DEVLIN
 SHEET 44 OF 142