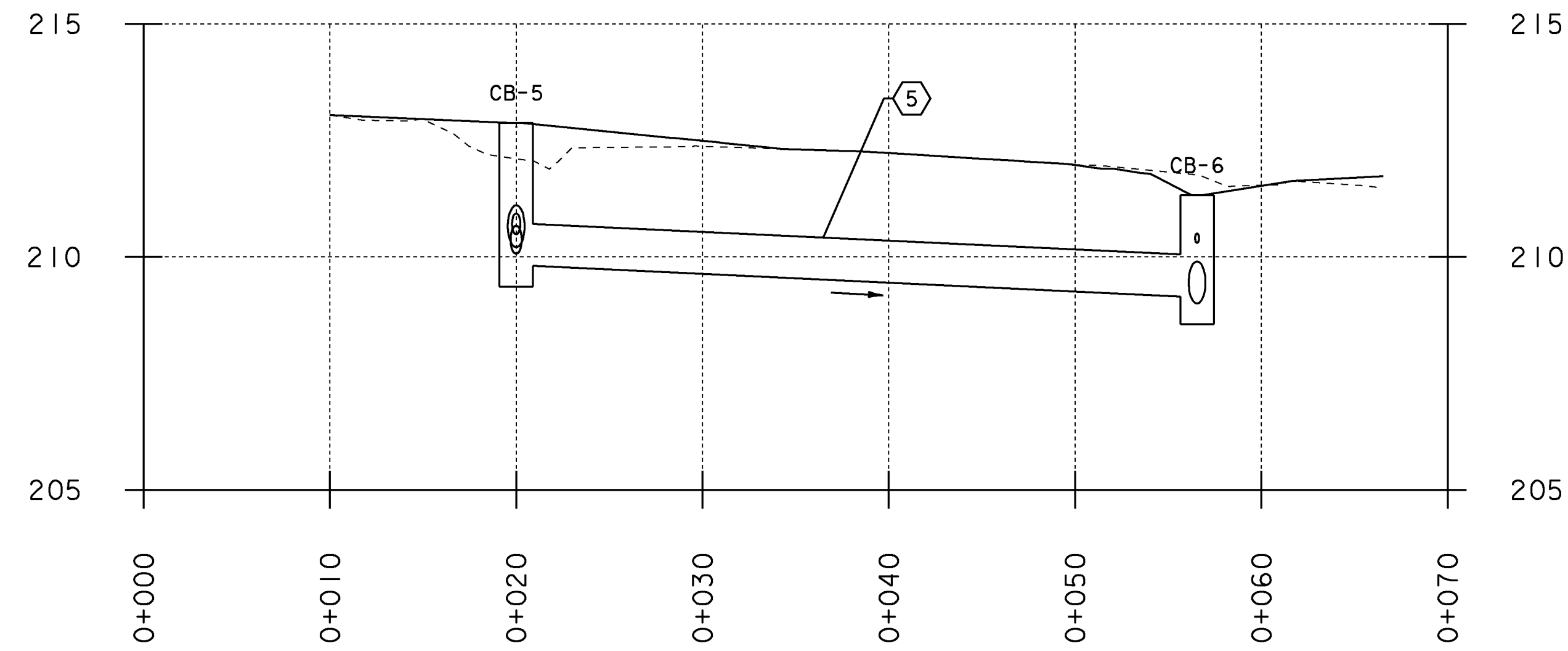
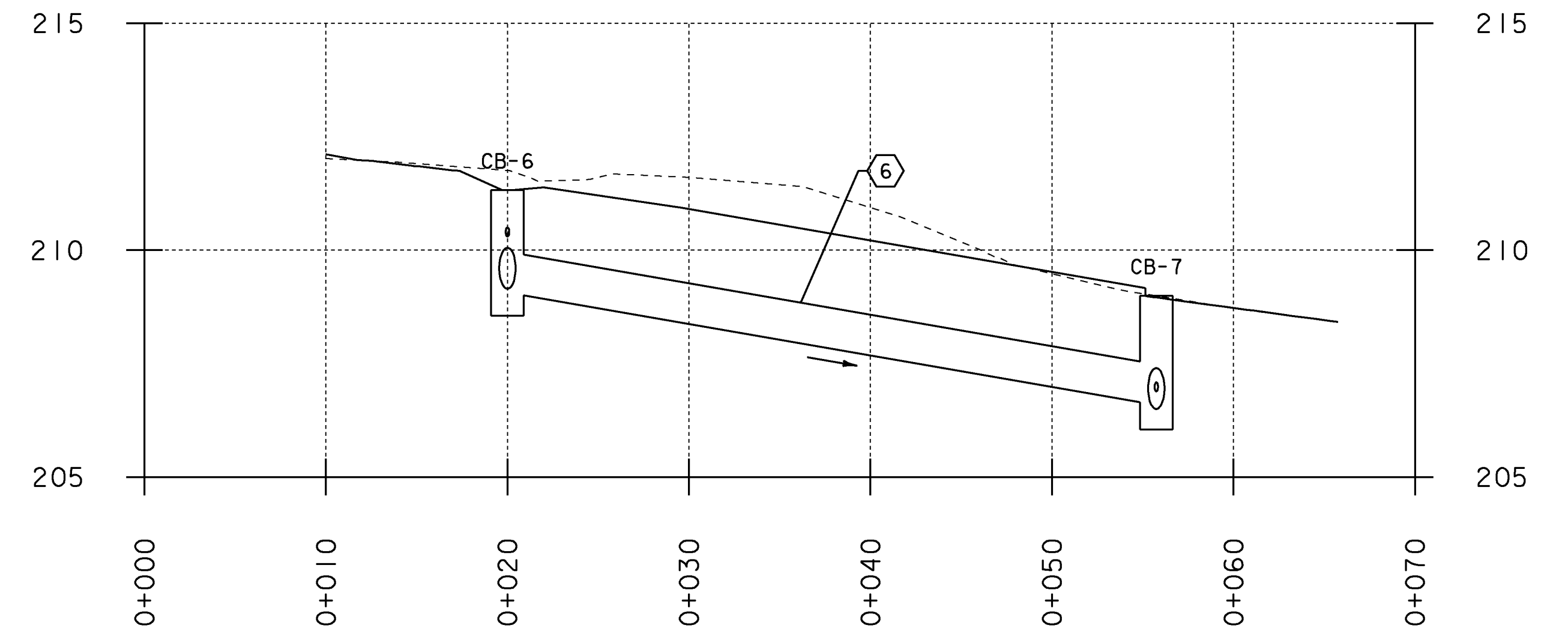


### PIPE 5



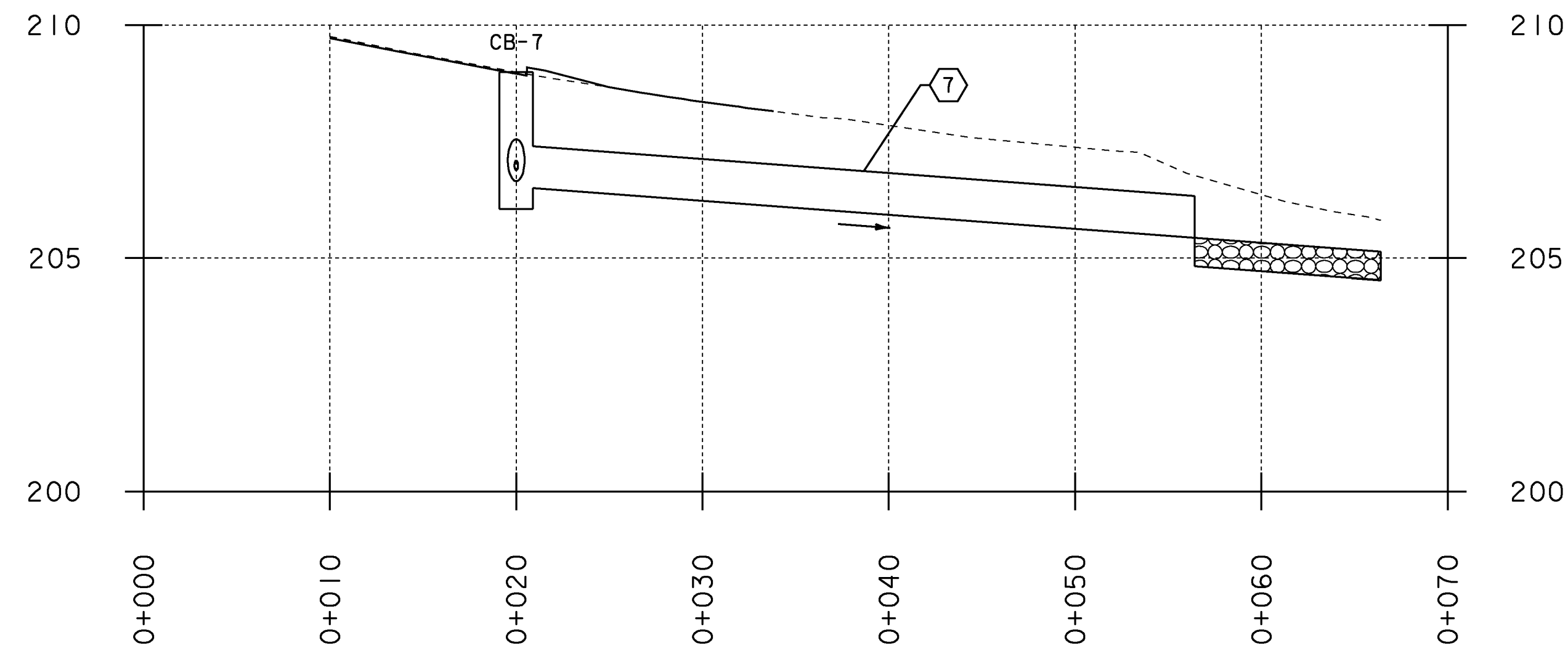
<p><b>CB-5</b>          GRATE: TYPE D          RIM EL = 212.88M          DIAM. = 1800MM          DEPTH = 3.52M</p>	<p>⑤</p>	<p>SLOPE = 1.89%          NEW PIPE          TYPE: OPTION PIPE          LENGTH = 36.55M          DIAMETER = 900.00MM          INV IN = 209.81M          INV OUT = 209.15M</p>
--	----------	--

### PIPE 6



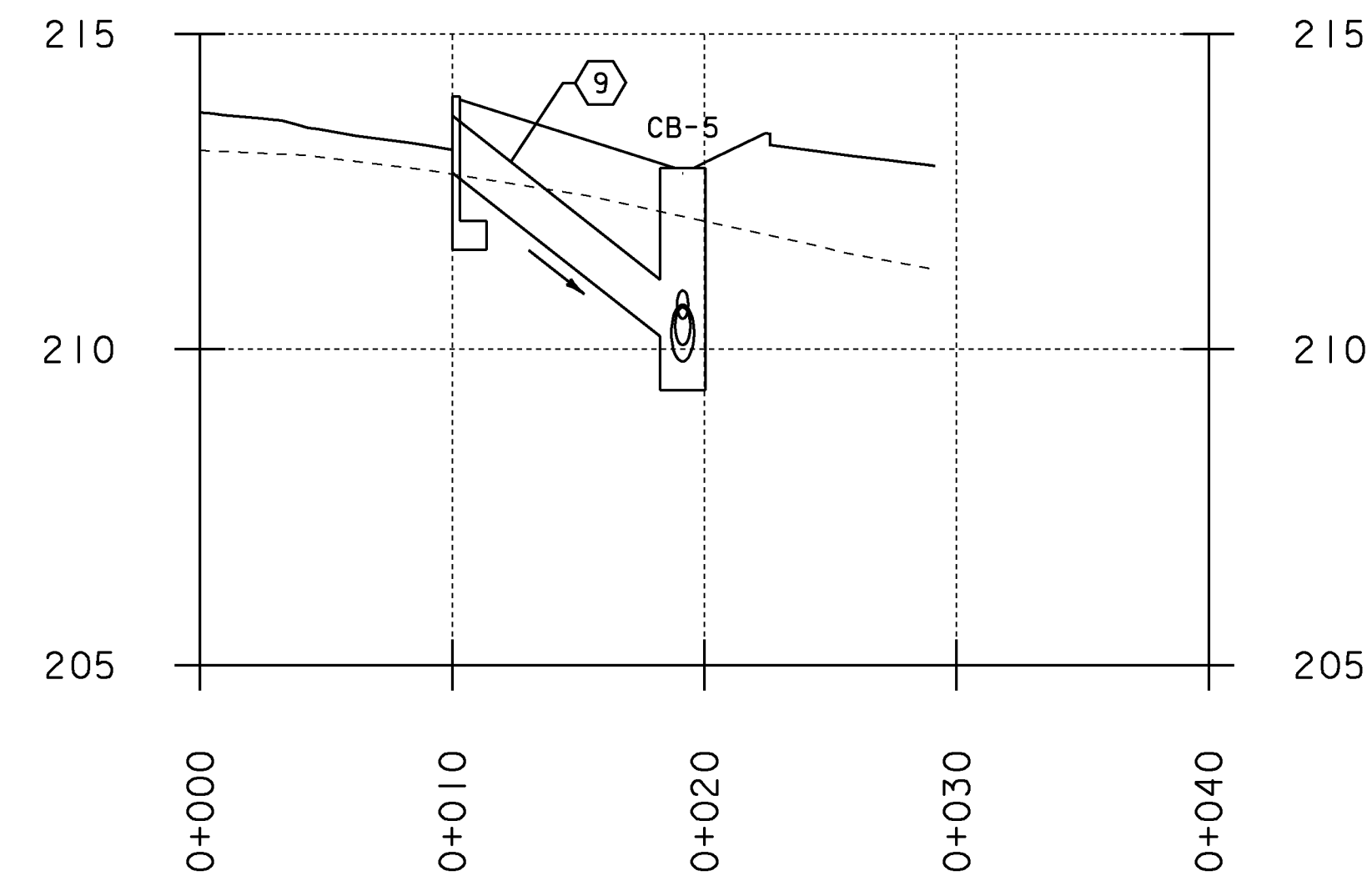
<p><b>CB-6</b>          GRATE: TYPE D          RIM EL = 211.32M          DIAM. = 1800MM          DEPTH = 2.77M</p>	<p>⑥</p>	<p>SLOPE = 6.92%          NEW PIPE          TYPE: OPTION PIPE          LENGTH = 35.83M          DIAMETER = 900.00MM          INV IN = 209.00M          INV OUT = 206.65M</p>
--	----------	--

### PIPE 7

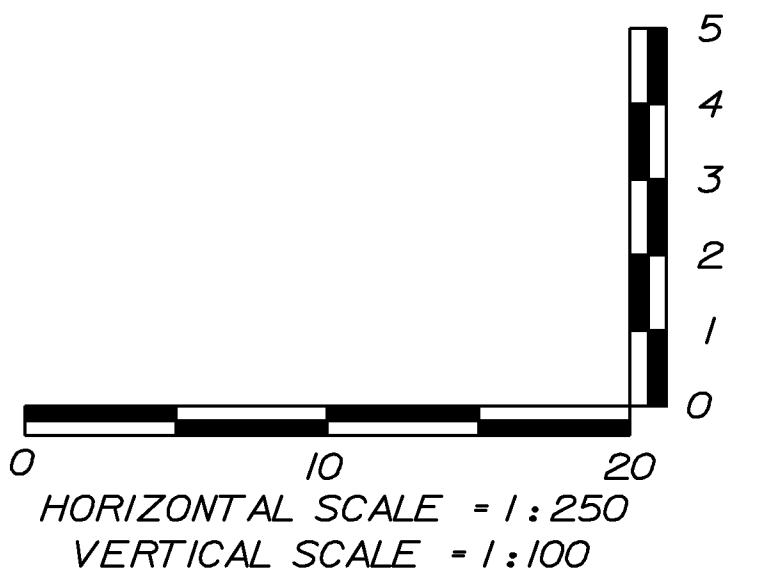


<p><b>CB-7</b>          GRATE: TYPE D          RIM EL = 208.99M          DIAM. = 1800MM          DEPTH = 2.94M</p>	<p>⑦</p>	<p>SLOPE = 3.00%          NEW PIPE          TYPE: OPTION PIPE          LENGTH = 36.43M          DIAMETER = 900.00MM          INV IN = 206.50M          INV OUT = 205.43M</p>
--	----------	--

### PIPE 9



<p><b>CB-9</b>          GRATE: TYPE D          RIM EL = 213.80M          DIAM. = 1800MM          DEPTH = 2.77M</p>	<p>⑨</p>	<p>SLOPE = 31.46%          NEW PIPE          TYPE: CPEP PIPE          LENGTH = 9.14M          DIAMETER = 900.00MM          INV IN = 212.80M          INV OUT = 210.21M</p>
--	----------	--



PROJECT NAME: EAST MONTPELIER	
PROJECT NUMBER: STPG 028 - 3(35)S	
FILE NAME: +98b028profile.dgn	PLOT DATE: 22-MAR-2010
PROJECT LEADER: J.SCHULTZ	DRAWN BY: D. LYMAN
DESIGNED BY: J. GRUCHACZ	CHECKED BY: J. DEVLIN
DRAINAGE PROFILE SHEET 2	SHEET 43 OF 142