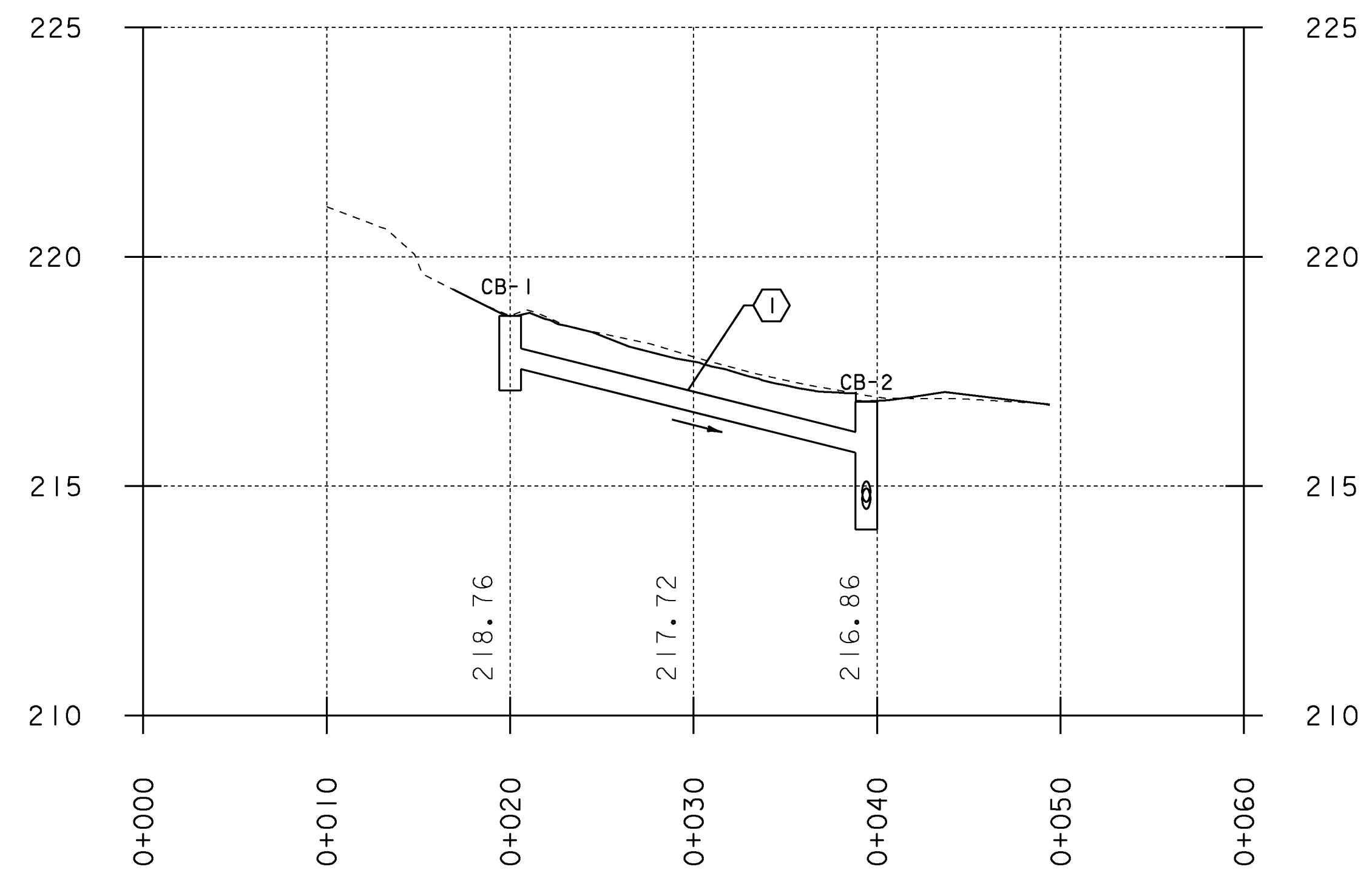


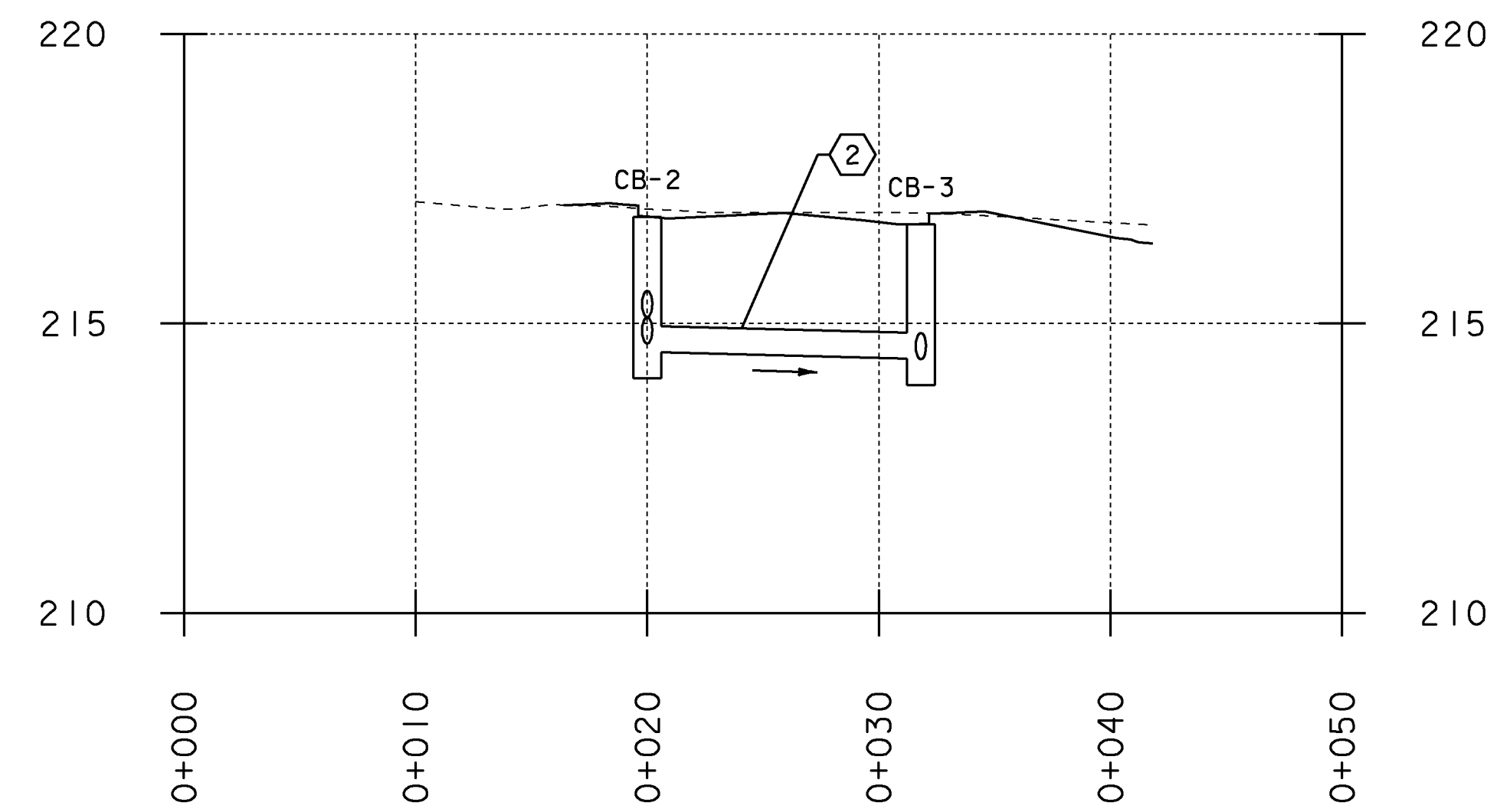
### PIPE 1



**CB-1**  
 GRATE: TYPE D  
 RIM EL = 218.71M  
 DIAM. = 1200MM  
 DEPTH = 1.62M

**①**  
 SLOPE = 10.01%  
 NEW PIPE  
 TYPE: OPTION PIPE  
 LENGTH = 19.51M  
 DIAMETER = 450.00MM  
 INV IN = 217.54M  
 INV OUT = 215.71M

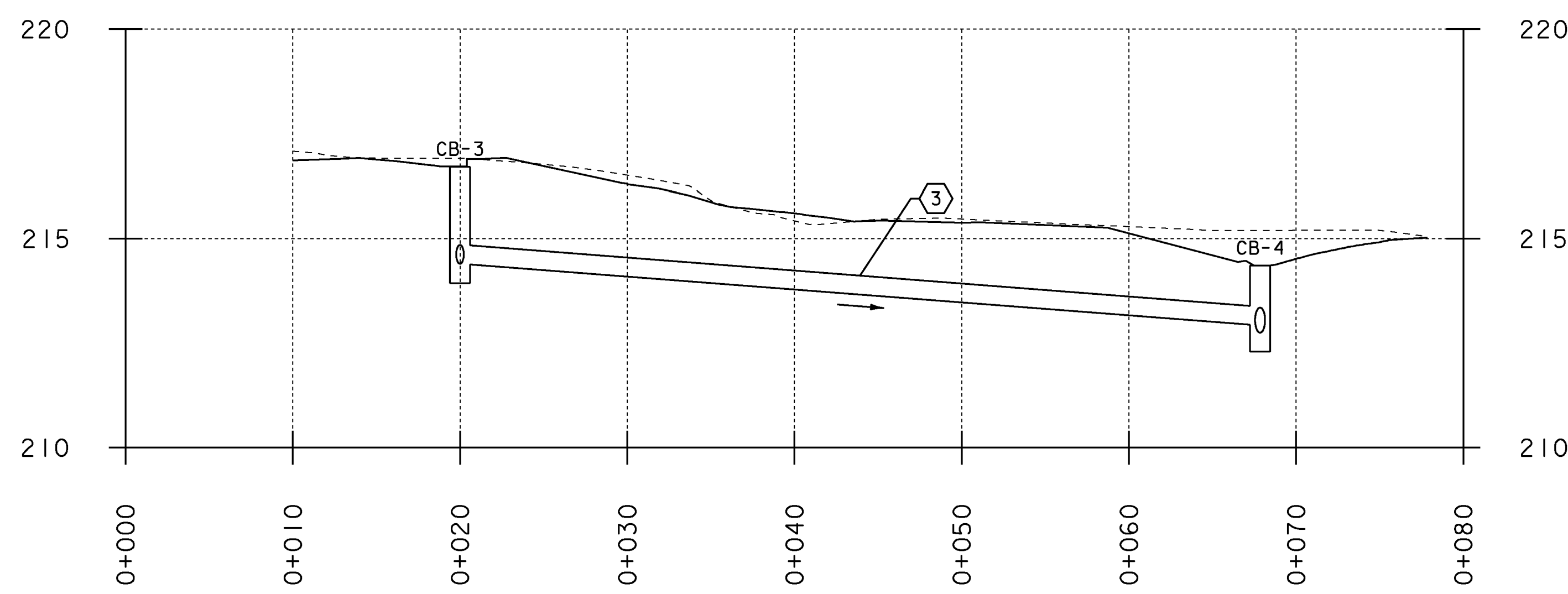
### PIPE 2



**CB-2**  
 GRATE: TYPE D  
 RIM EL = 216.84M  
 DIAM. = 1200MM  
 DEPTH = 2.79M

**②**  
 SLOPE = 1.00%  
 NEW PIPE  
 TYPE: OPTION PIPE  
 LENGTH = 11.82M  
 DIAMETER = 450.00MM  
 INV IN = 214.50M  
 INV OUT = 214.40M

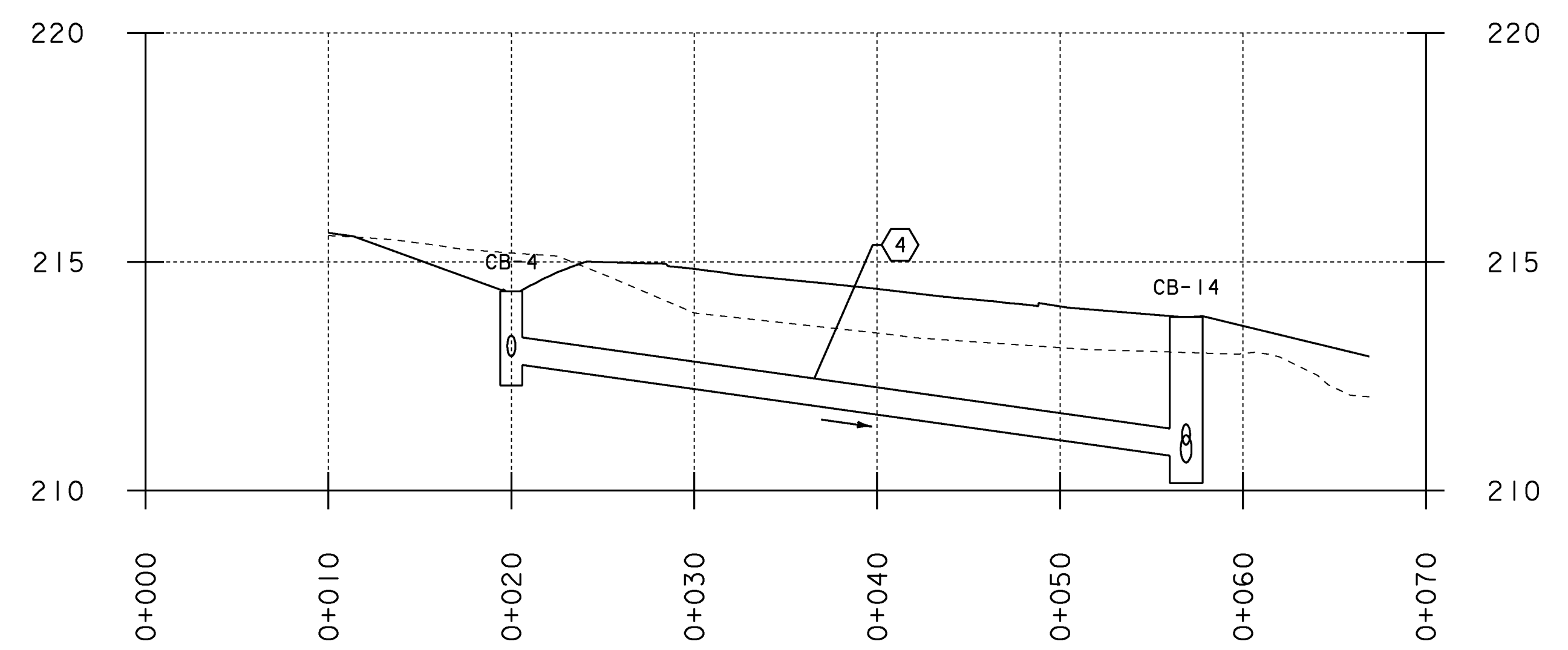
### PIPE 3



**CB-3**  
 GRATE: TYPE D  
 RIM EL = 216.71M  
 DIAM. = 1200MM  
 DEPTH = 2.78M

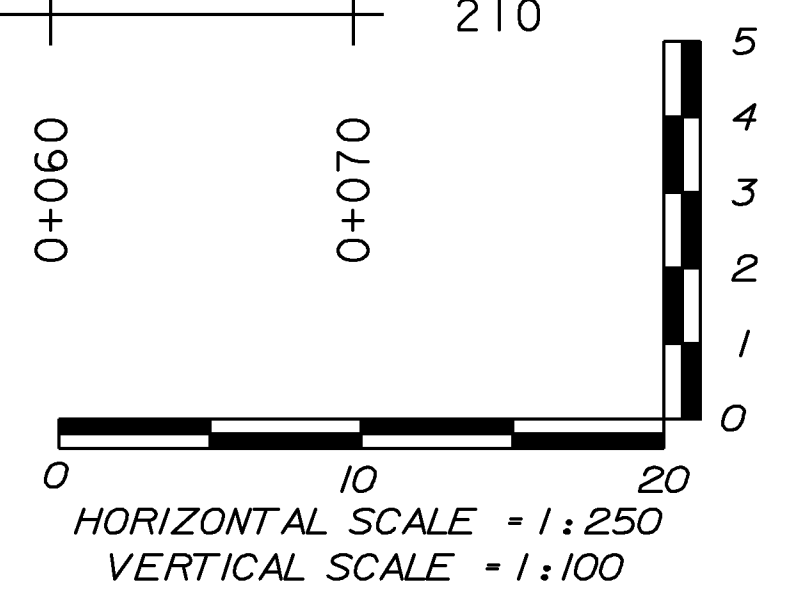
**③**  
 SLOPE = 3.10%  
 NEW PIPE  
 TYPE: OPTION PIPE  
 LENGTH = 47.86M  
 DIAMETER = 450.00MM  
 INV IN = 214.39M  
 INV OUT = 212.94M

### PIPE 4



**CB-4**  
 GRATE: TYPE D  
 RIM EL = 214.35M  
 DIAM. = 1200MM  
 DEPTH = 2.05M

**④**  
 SLOPE = 5.62%  
 NEW PIPE  
 TYPE: OPTION PIPE  
 LENGTH = 36.95M  
 DIAMETER = 600.00MM  
 INV IN = 212.75M  
 INV OUT = 210.76M



PROJECT NAME: EAST MONTPELIER  
 PROJECT NUMBER: STPG 028 - 3(35)S

FILE NAME: +98b028profile.dgn  
 PROJECT LEADER: J.SCHULTZ  
 DESIGNED BY: J. GRUCHACZ  
 DRAINAGE PROFILE SHEET 1

PLOT DATE: 22-MAR-2010  
 DRAWN BY: D. LYMAN  
 CHECKED BY: J. DEVLIN  
 SHEET 42 OF 142