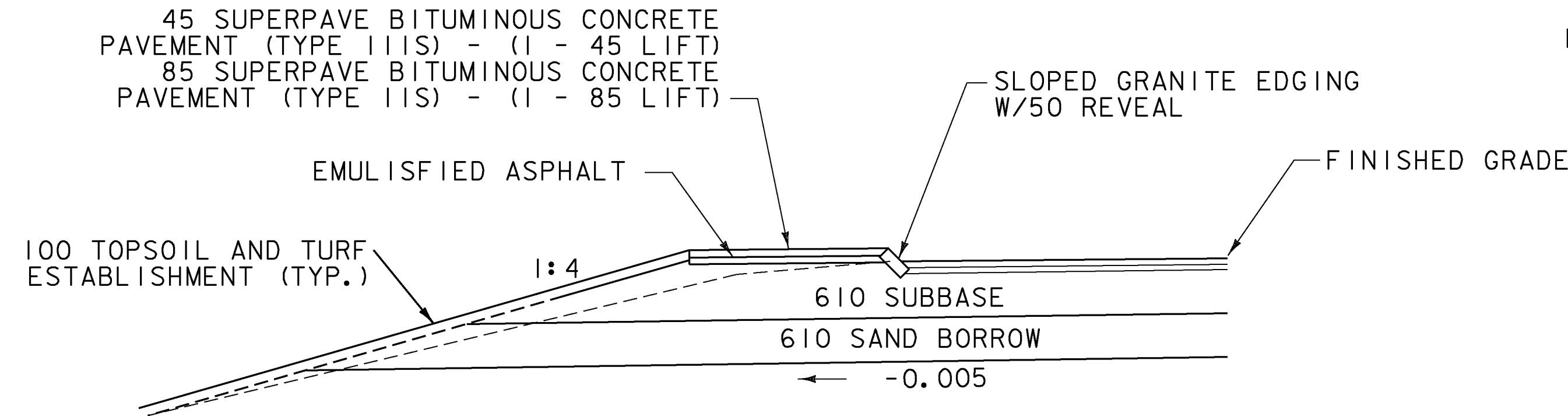
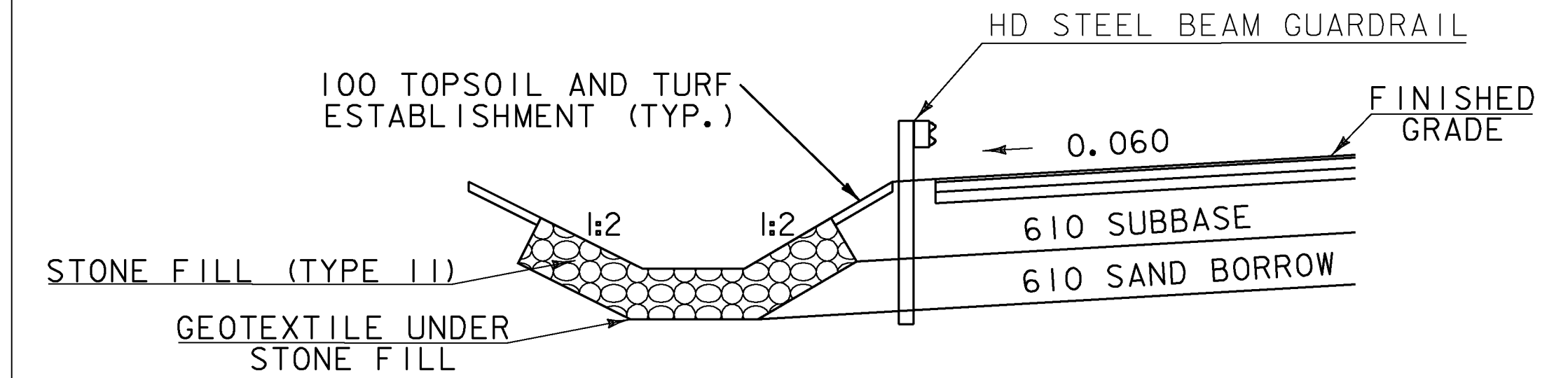


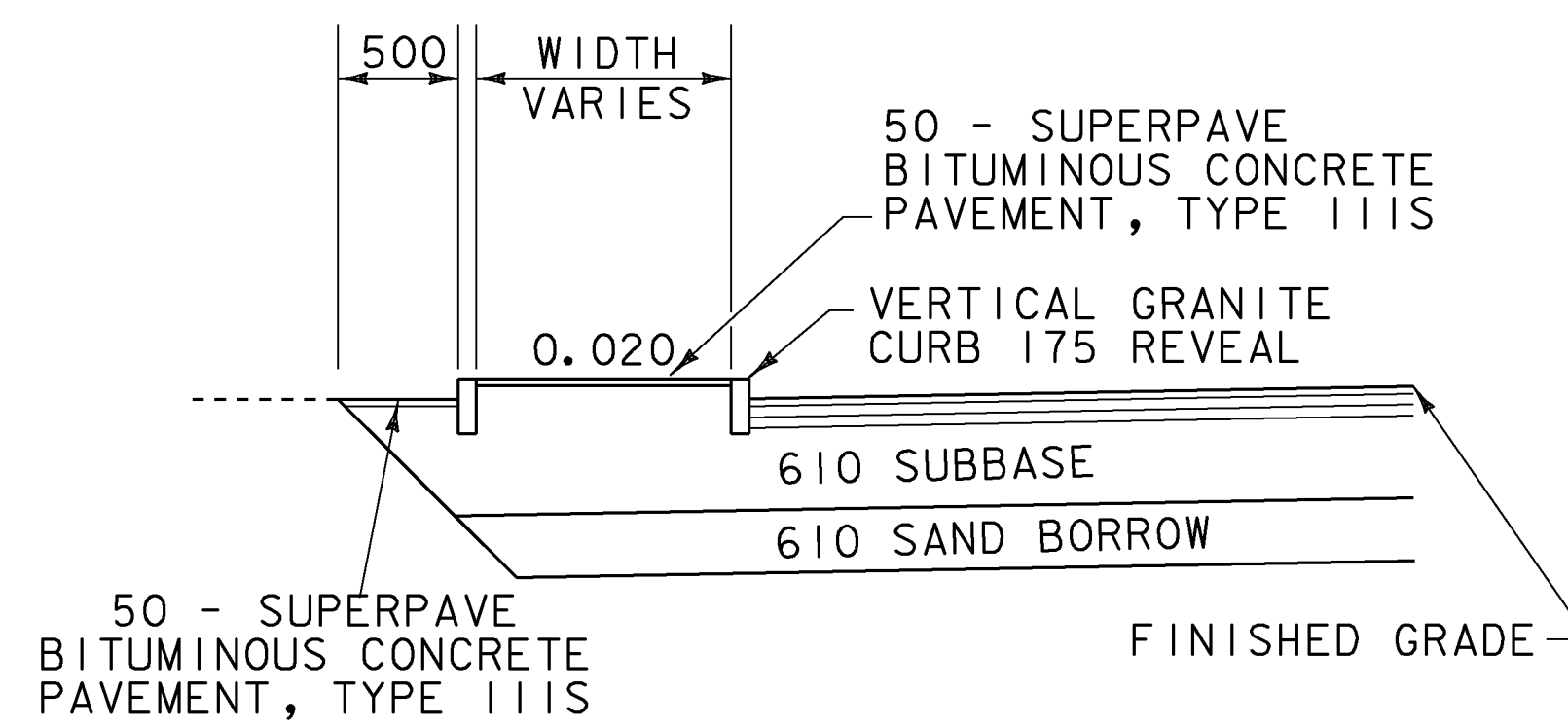
**TYPICAL SECTION  
DETAILS**  
NOT TO SCALE



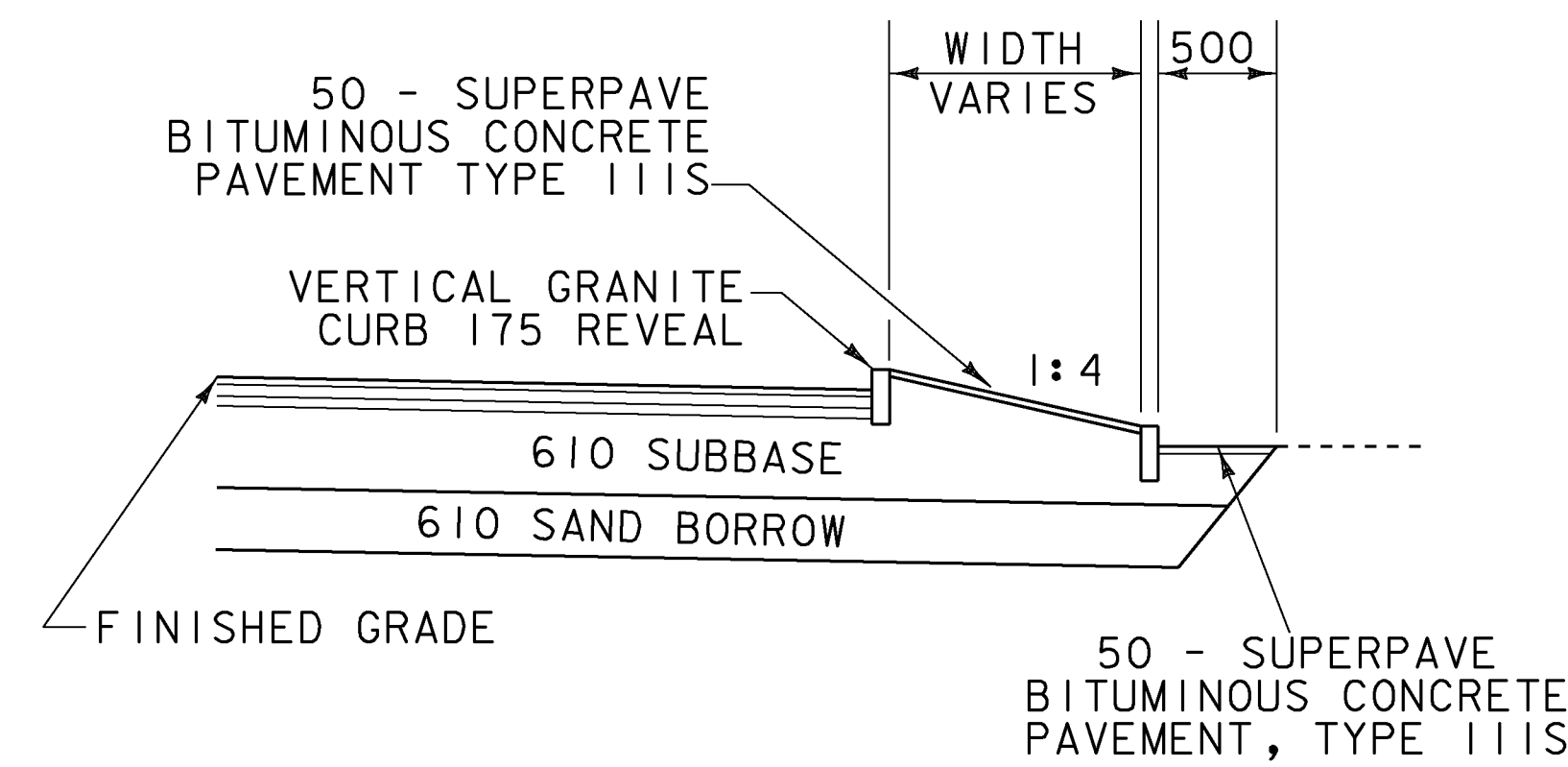
**APRON WITH MOUNTABLE  
CURB DETAIL**  
4+780.1 LT - 14+037.5 LT



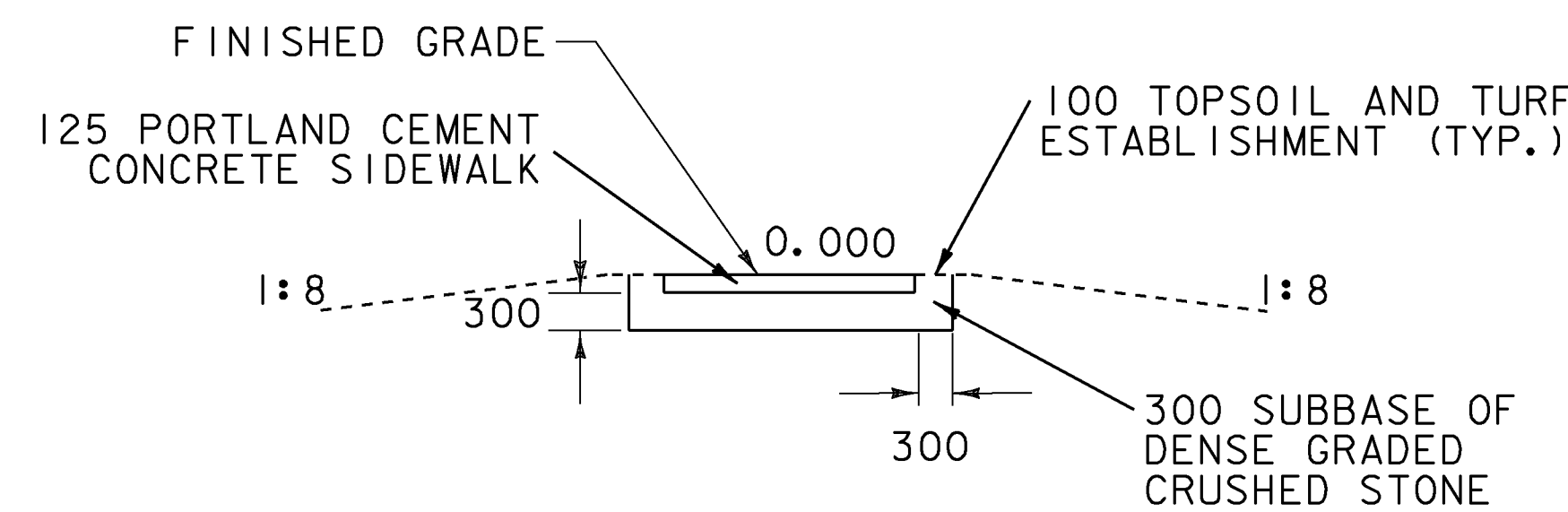
**GUARDRAIL - DITCH SECTION DETAIL**  
**US ROUTE 2**  
STA 4+932.00 LT - 4+985.32 LT



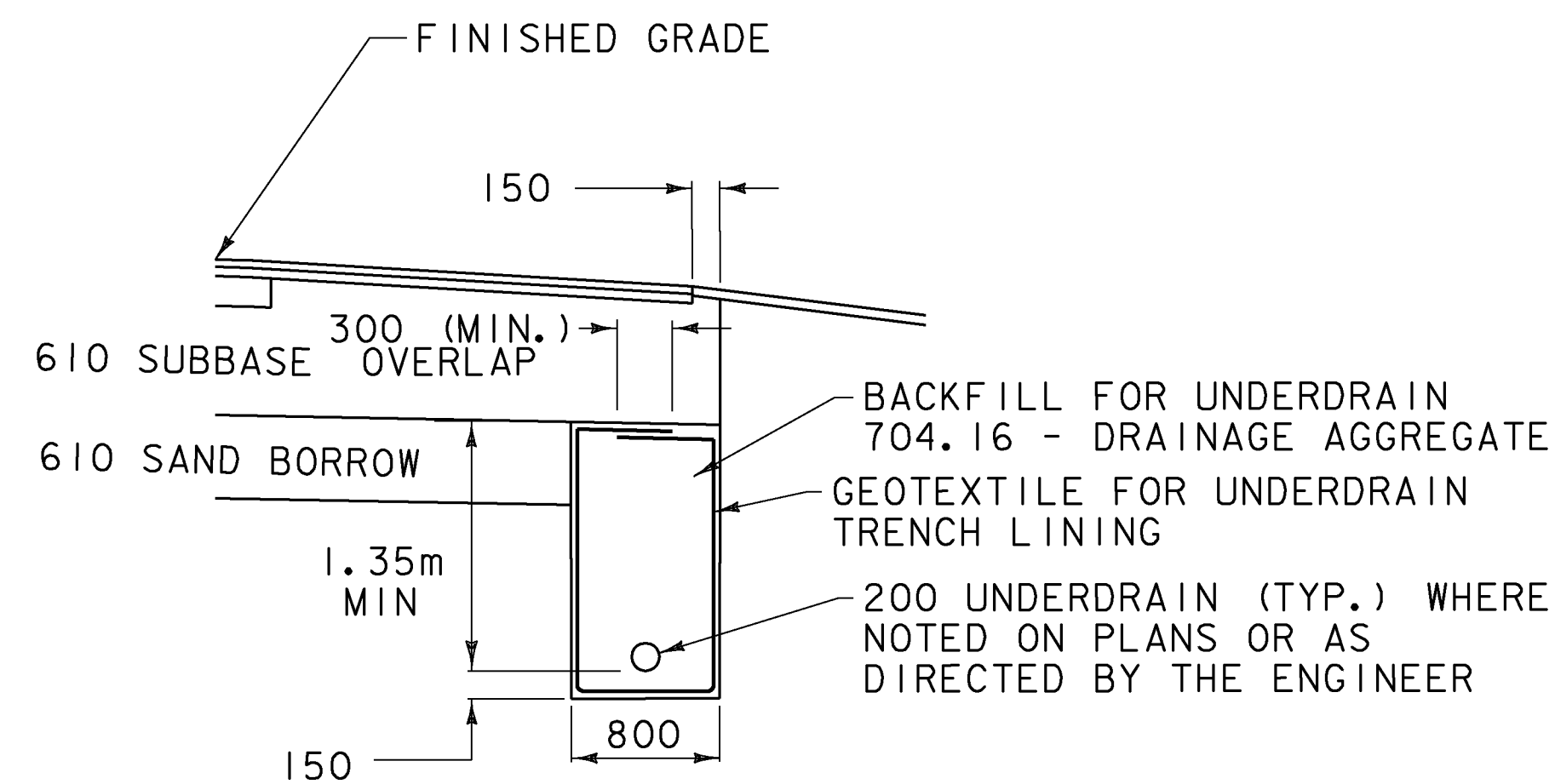
**ISLAND - PAVED LT**  
4+709.00 LT - 40+015.38 LT



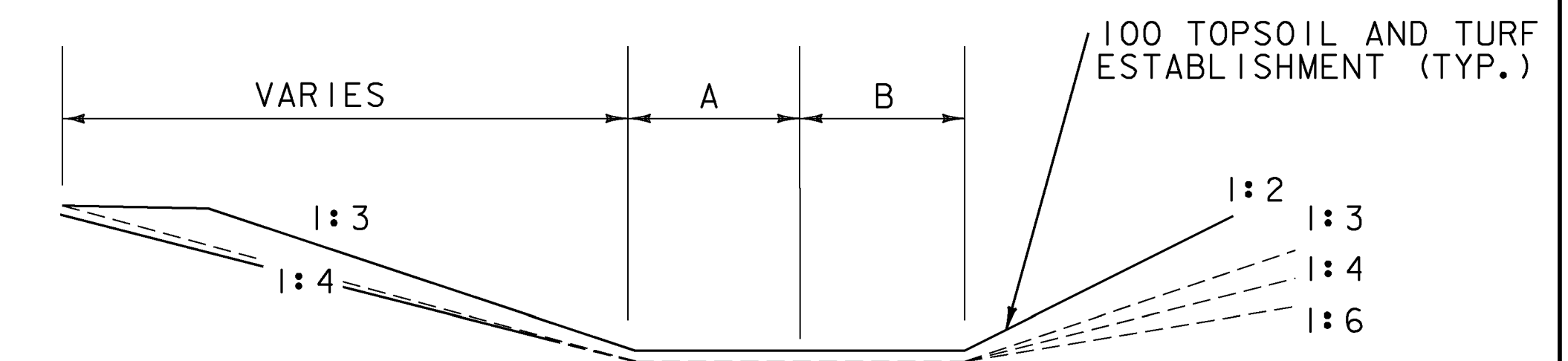
**ISLAND - PAVED RT**  
4+704.72 RT - 4+717.10 RT  
4+731.70 RT - 4+752.80 RT



**SIDEWALK IN LAWN AREA**  
100+082.37 RT - 100+156.58 RT



**UNDERDRAIN DETAIL**



	A	B	STATION
GRASS CHANNEL 1-A	1220	1220	14+150 RT - 14+205 RT
GRASS CHANNEL 1-B	915	915	14+045 LT - 14+091 LT
GRASS CHANNEL 1-C	1220	1220	14+040 RT - 14+071 RT

**GRASS CHANNEL  
VT ROUTE 14**

FOR TURF ESTABLISHMENT DETAILS  
SEE EPSC DETAILS SHEET 2

PROJECT NAME: EAST MONTPELIER  
PROJECT NUMBER: STPG 028 - 3(35)S

FILE NAME: +98b028+typ.dgn  
PROJECT LEADER: J. SCHULTZ  
DESIGNED BY: J. GRUCHACZ  
TYPICAL SHEET 3

PLOT DATE: 22-MAR-2010  
DRAWN BY: I. DEGUTIS  
CHECKED BY: J. DEVLIN  
SHEET 5 OF 142