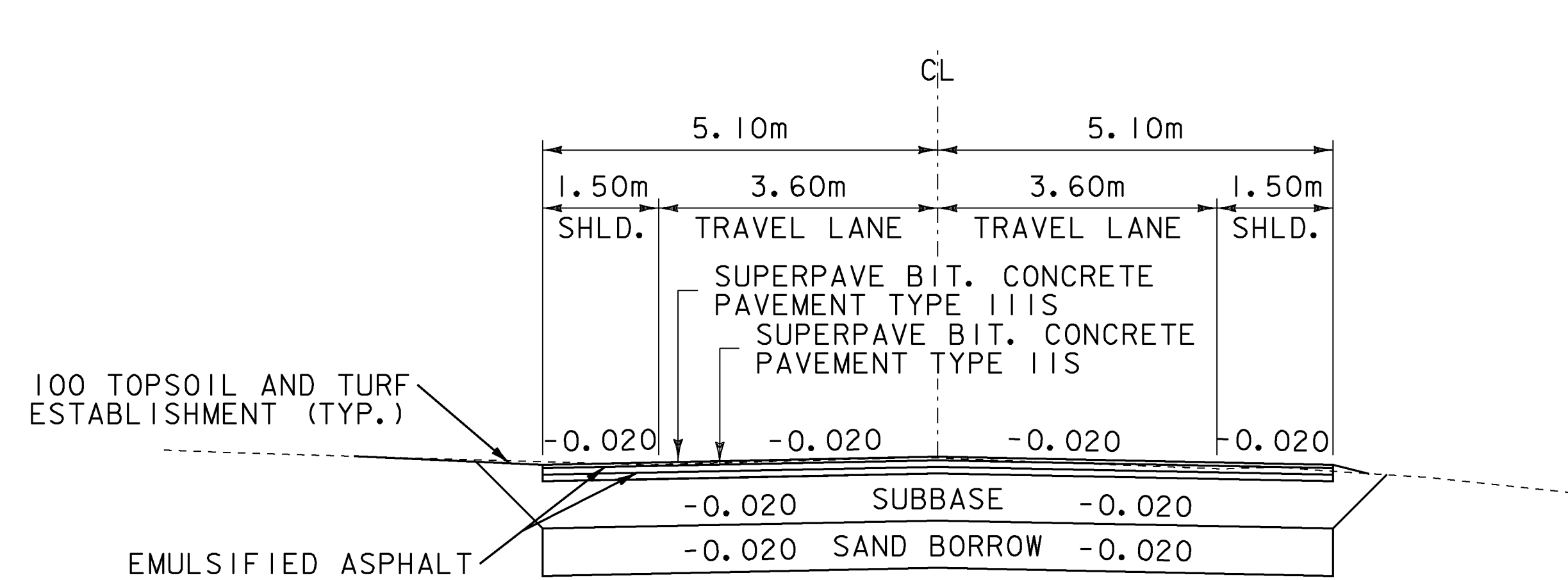


MATERIAL TOLERANCES		
PAVEMENT (TOTAL DEPTH):	±	5
SUBBASE (TOTAL DEPTH):	±	30
SAND BORROW (TOTAL DEPTH):	±	30

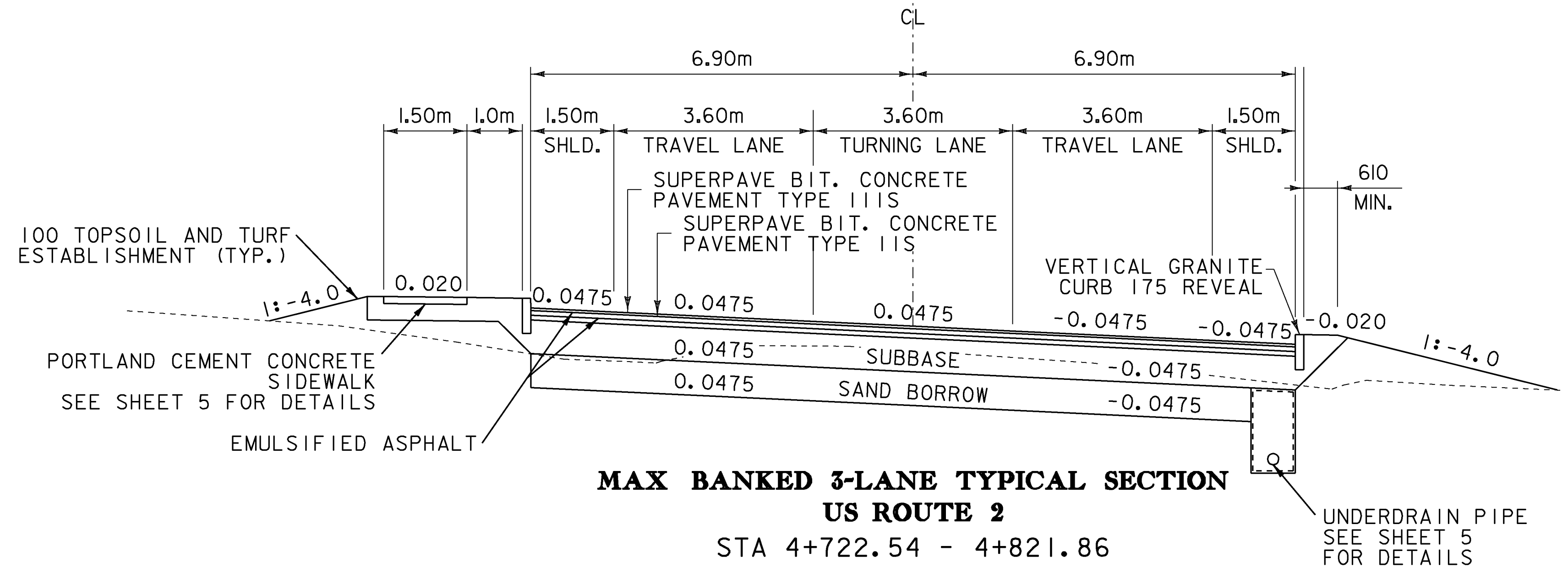
TYPICAL SECTIONS

NOT TO SCALE

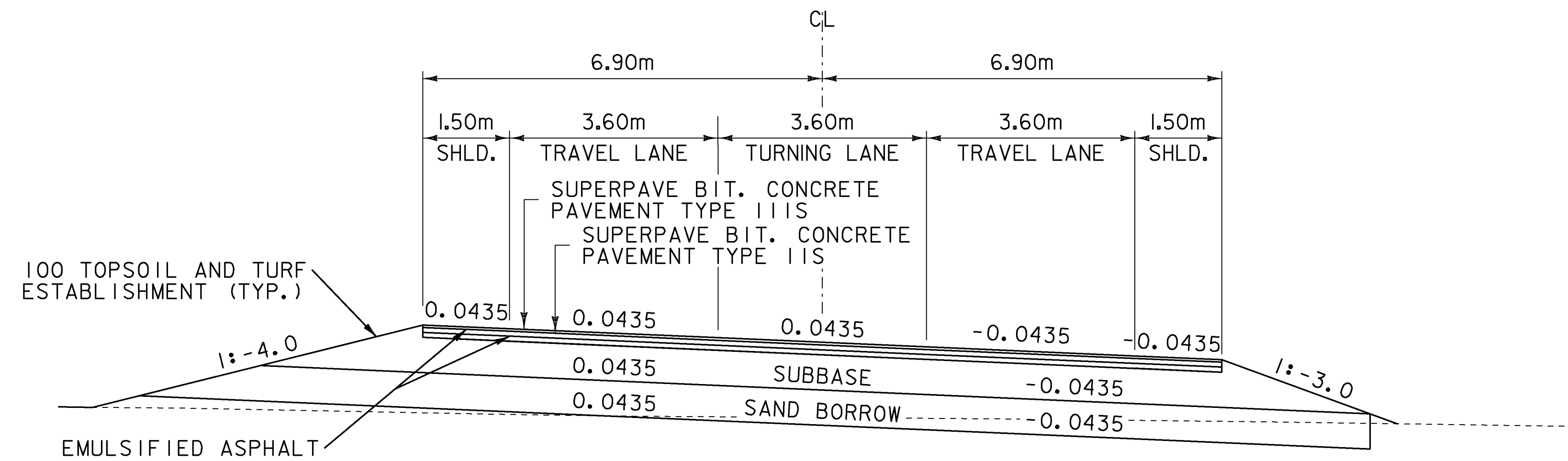
45 SUPERPAVE BITUMINOUS CONCRETE PAVEMENT (TYPE IIIIS) - (1 - 45 LIFT)
 170 SUPERPAVE BITUMINOUS CONCRETE PAVEMENT (TYPE IIS) - (2 - 85 LIFTS)
 610 SUBBASE OF DENSE GRADED CRUSHED STONE
 610 SAND BORROW



**2-LANE TYPICAL SECTION
US ROUTE 2 AND VT ROUTE 14**



**MAX BANKED 3-LANE TYPICAL SECTION
US ROUTE 2
STA 4+722.54 - 4+821.86**



**MAX BANKED 3-LANE TYPICAL SECTION
VT ROUTE 14
STA 14+063.80 - 14+188.51**

CLEAR ZONE TABLE	
APPROACH	DISTANCE (M)
US ROUTE 2 3-LANE TYPICAL SECTION	4.88*
US ROUTE 2 CURBED TYPICAL SECTION	0.45**
VT ROUTE 14 3-LANE TYPICAL SECTION	4.27*

* DISTANCE MEASURED FROM EDGE OF TRAVELED LANE
 ** DISTANCE MEASURED FROM THE FACE CURB

PROJECT NAME: EAST MONTPELIER
 PROJECT NUMBER: STPG 028 - 3(35)S

FILE NAME: +98b028+typ.dgn
 PROJECT LEADER: J.SCHULTZ
 DESIGNED BY: J. GRUCHACZ
 TYPICAL SHEET 1

PLOT DATE: 22-MAR-2010
 DRAWN BY: I. DEGUTIS
 CHECKED BY: J. DEVLIN
 SHEET 3 OF 142