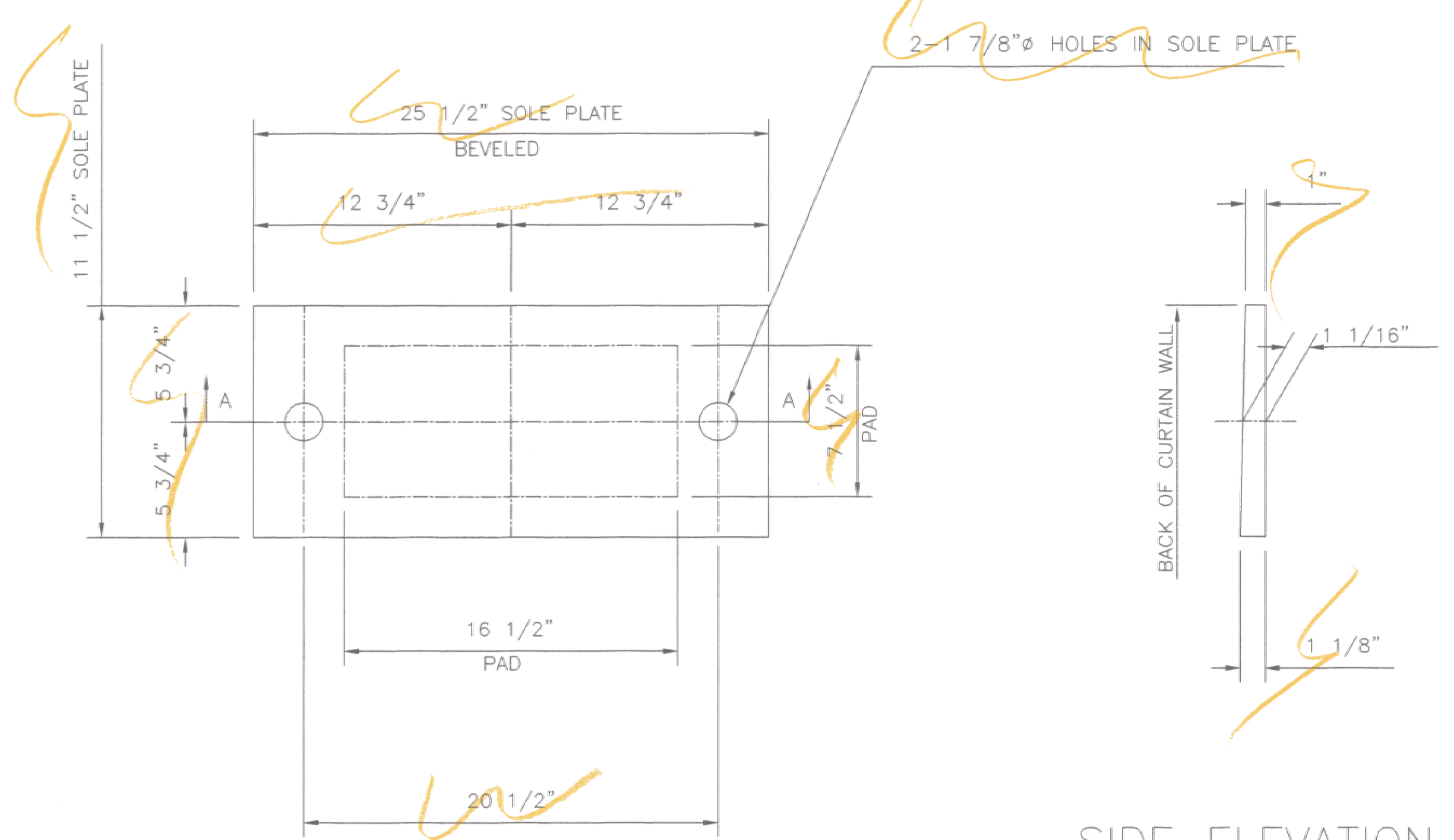


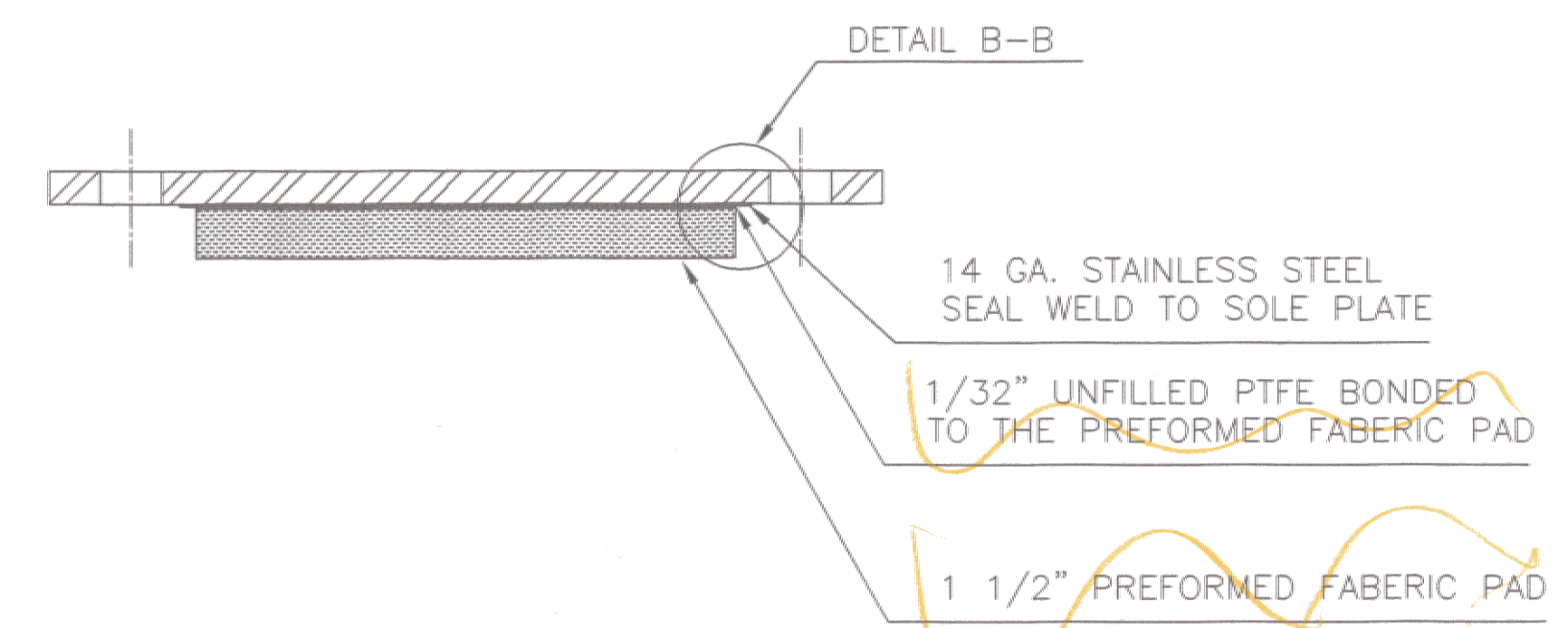
PLAN

SIDE ELEVATION
SOLE PLATE ONLY

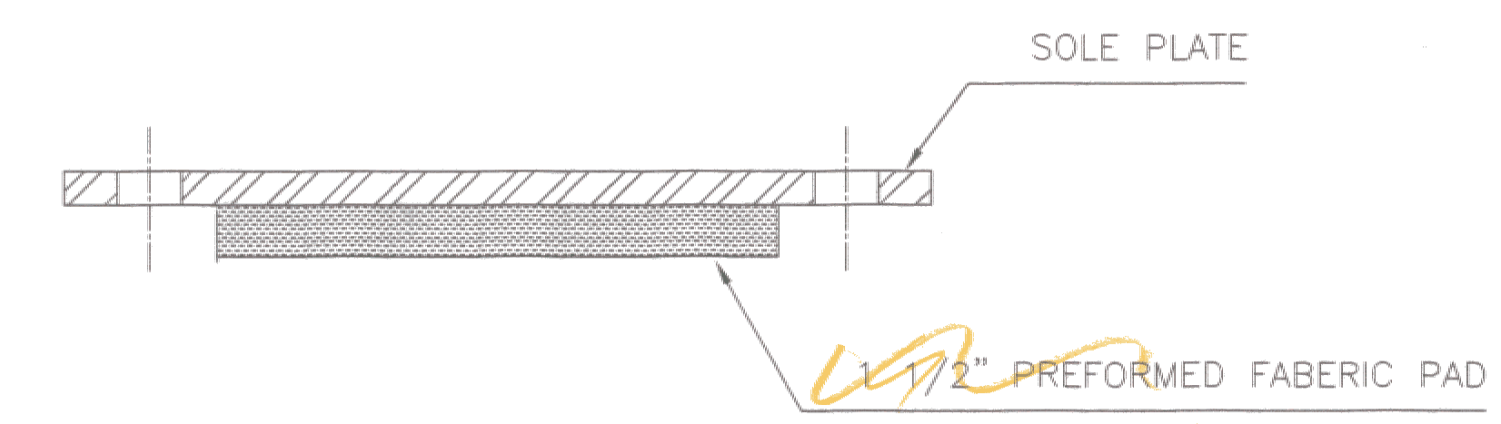


PLAN

SIDE ELEVATION
SOLE PLATE ONLY



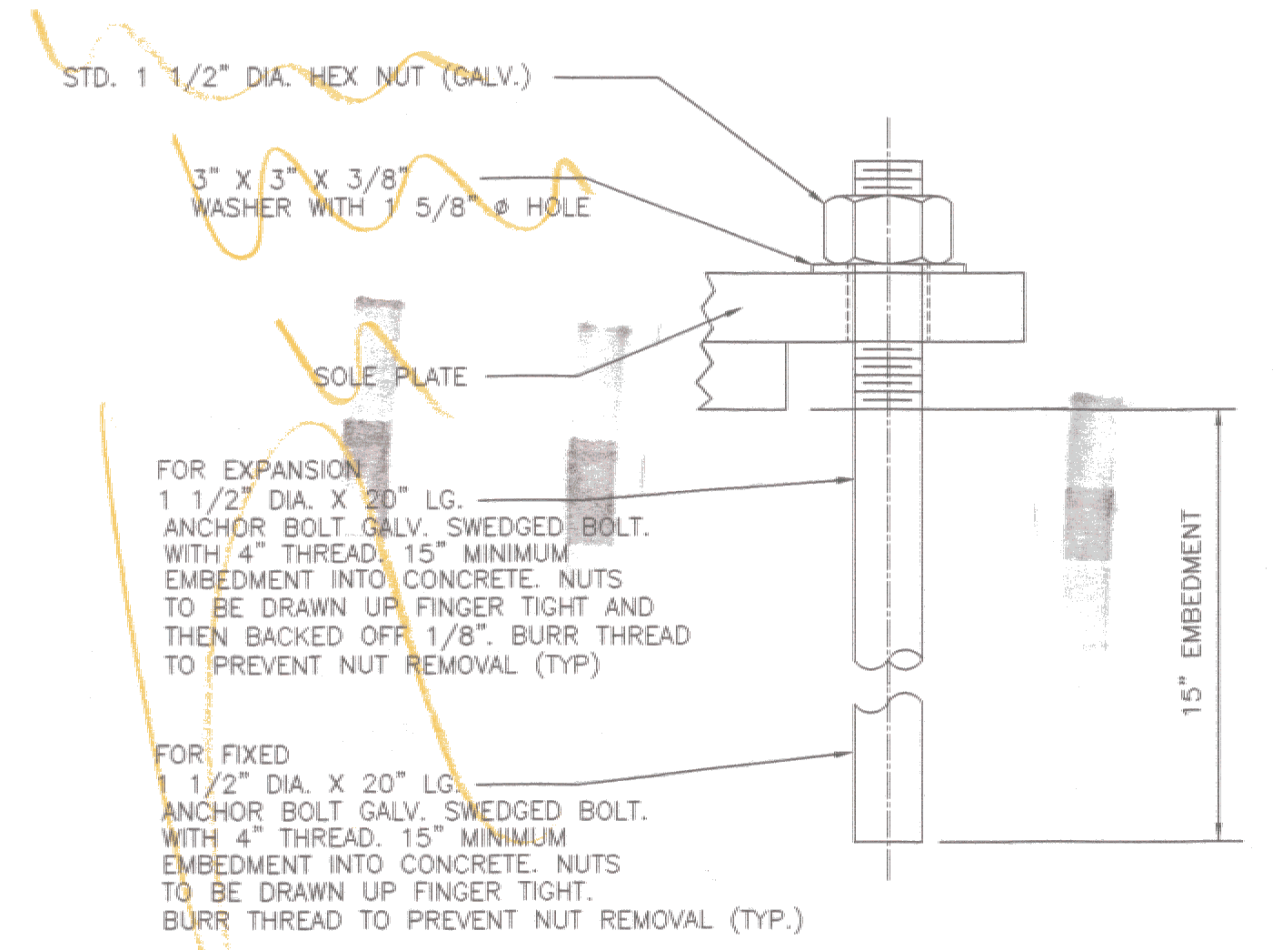
SECTION A-A
EXPANSION ELASTOMERIC BEARING
LOCATION - ABUT. 1 QTY. = 4



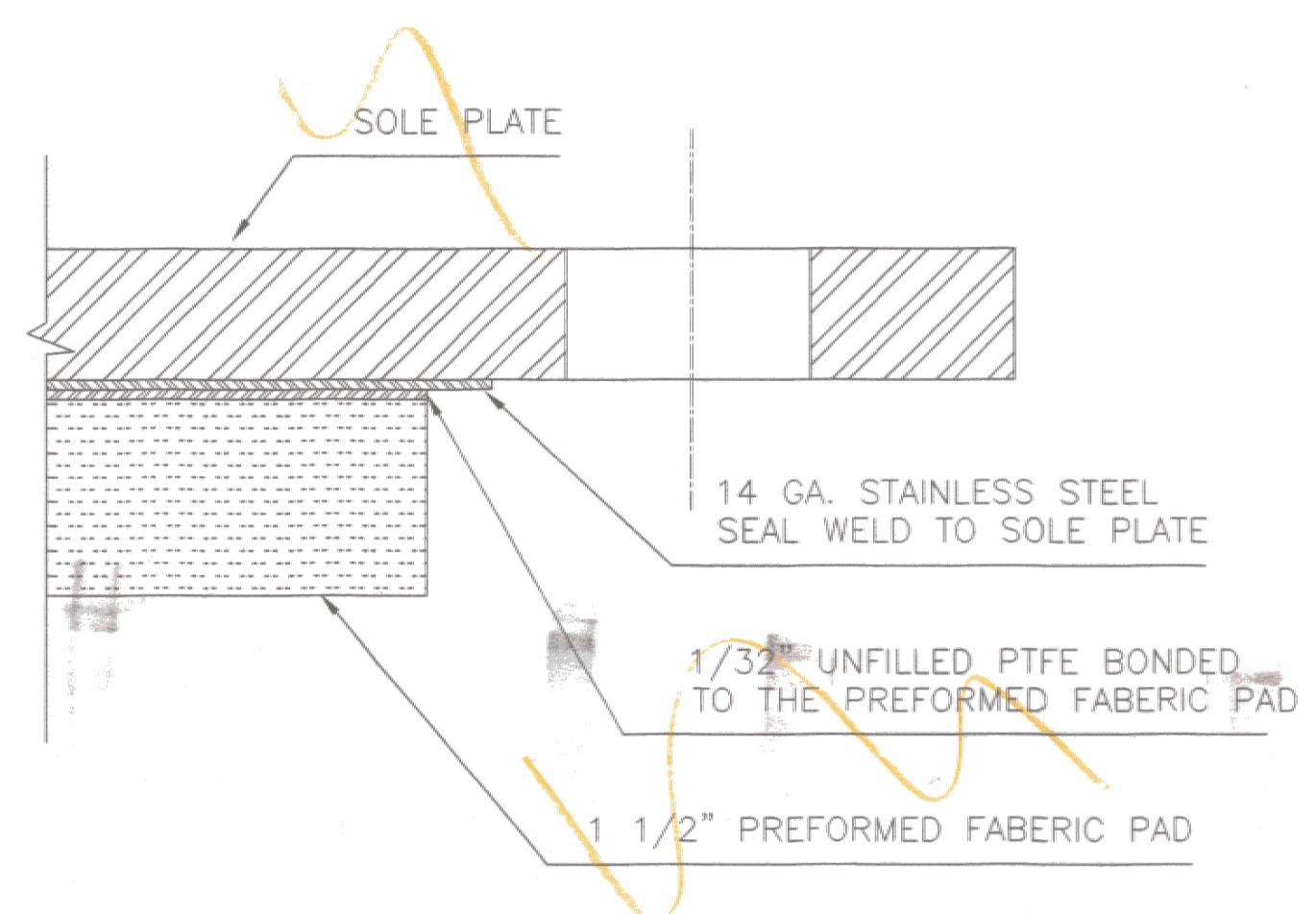
SECTION A-A
FIXED ELASTOMERIC BEARING
LOCATION - ABUT. QTY. = 4

MATERIALS:
 STEEL - ASTM A270 GR.36
 WITH GALV. OR MET FINISH
 STAINLESS STEEL - ASTM A240 TYPE 304
 #8 FINISH
 PTFE - ASTM D1457
 PRE FORMED FABRIC PAD - AASHTO
 DIV. II SEC. 18.10.2
 ANCHOR BOLTS - ASTM A36
 SWEDGED & GALVANIZED

- NOTES:
1. LOCATION OF FABRICATION PLANT - 70 SOUTH STREET WALPOLE, MA. 02081
 2. COSMEC, INC. REPRESENTATIVE - MR. WILLIAM BURHOE (508) 668-6600



ANCHOR BOLT DETAIL
QTY. = 16



DETAIL B-B

RECEIVED
 JUL 06 1998
 CHECKED BY: N.H. DRAWN BY: ROB C
 RESUBMIT BY: DATE APPROVED BY: DATE

STATE OF VERMONT
 AGENCY OF TRANSPORTATION
 VT 128 OVER THE BROWNS RIVER
 TOWN OF ESSEX
 BRIDGE #3
 LOG STA. - 54-89
 SURV. STA. 6-75

COSMEC, INC. 70 SOUTH STREET WALPOLE, MA. 02081
 SCALE: 3/16" = 1" CHECKED BY: N.H. DRAWN BY: ROB C
 DATE: 7-1-98 DATE: 6-20-98
 COSMEC ELASTOMERIC BEARINGS
 CUSTOMER: STATE OF VERMONT S.O. NUMBER: 58468 DRAWING NUMBER: 2907 REV.

REV.	BY	DATE	CK'D	DATE