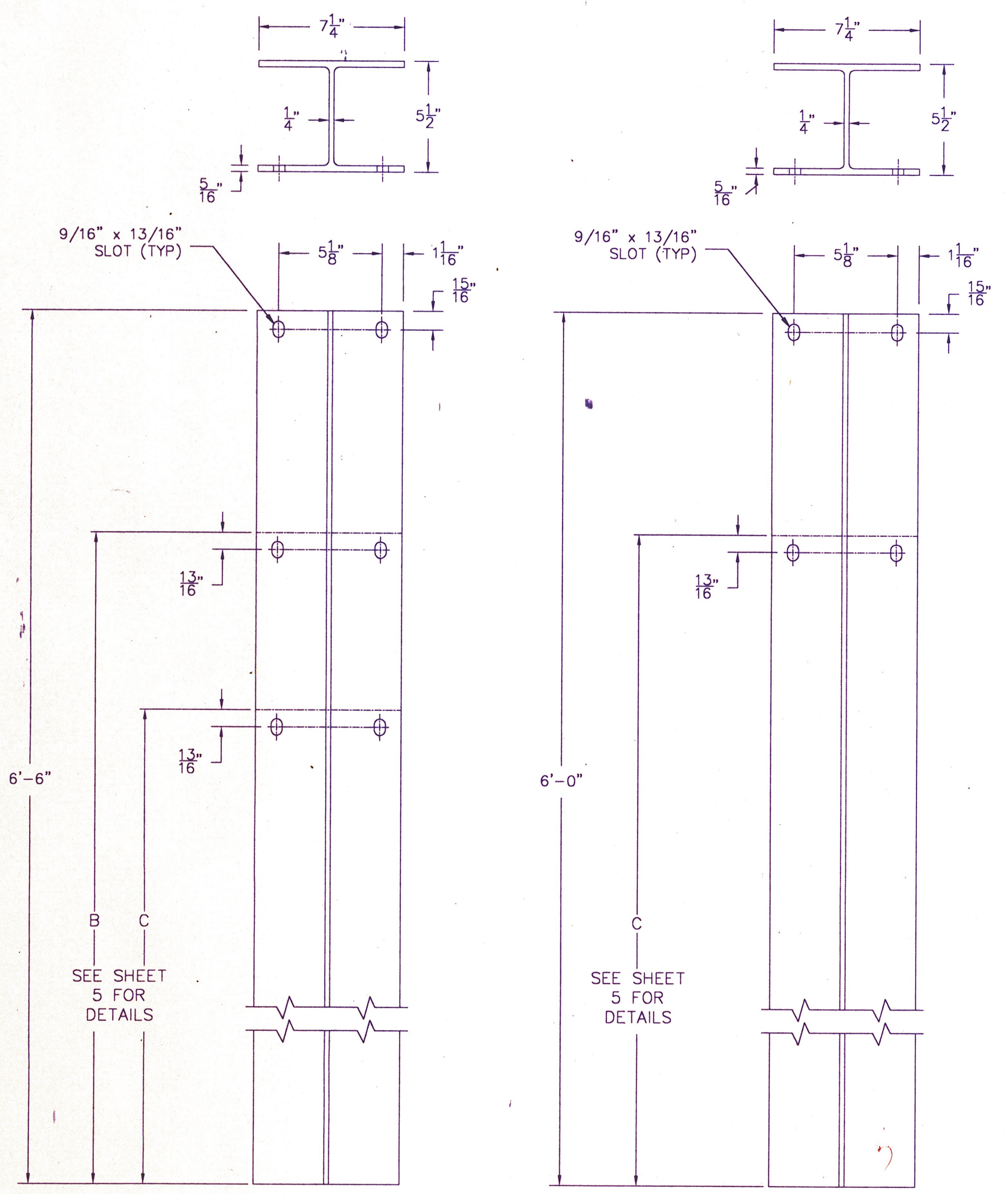
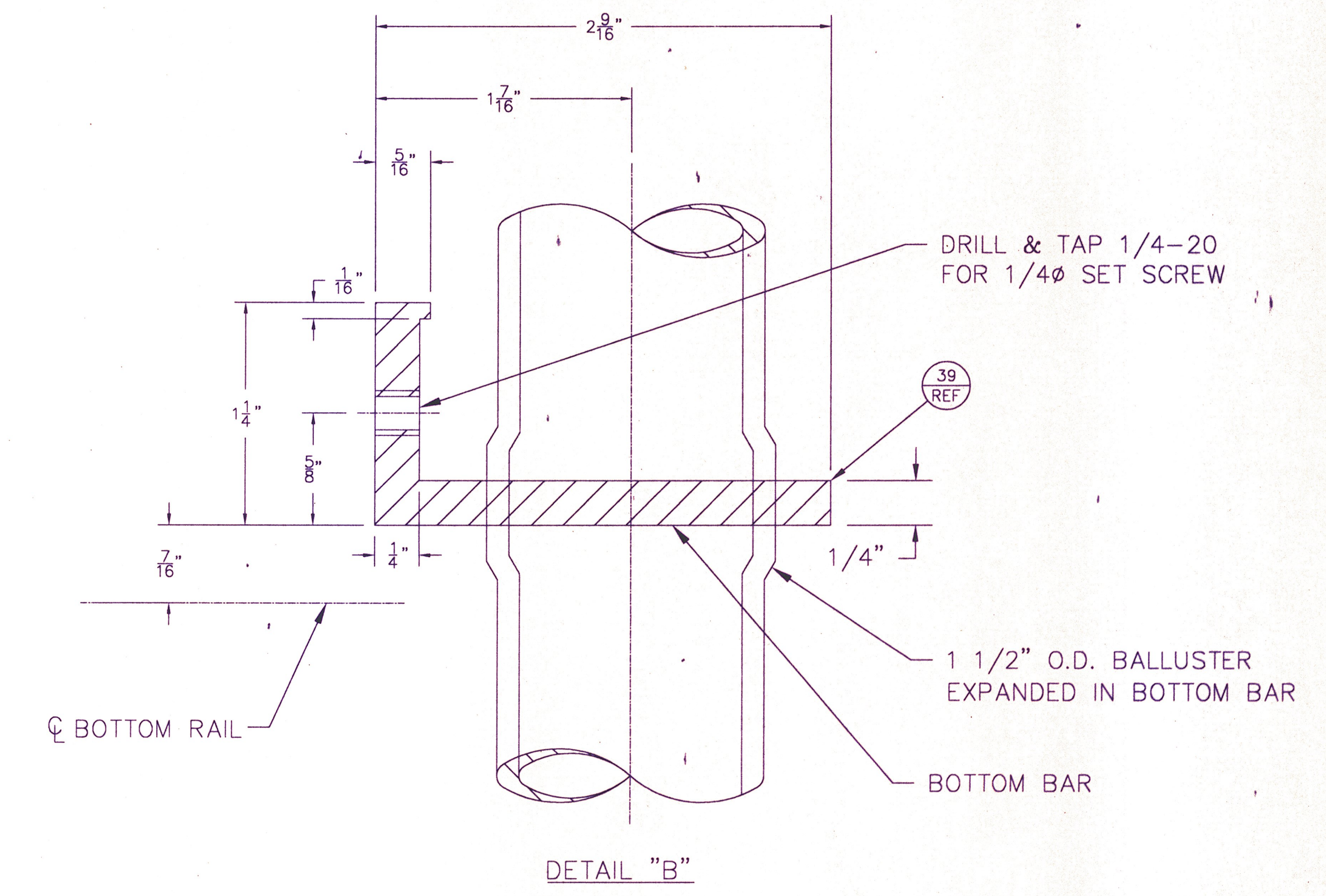
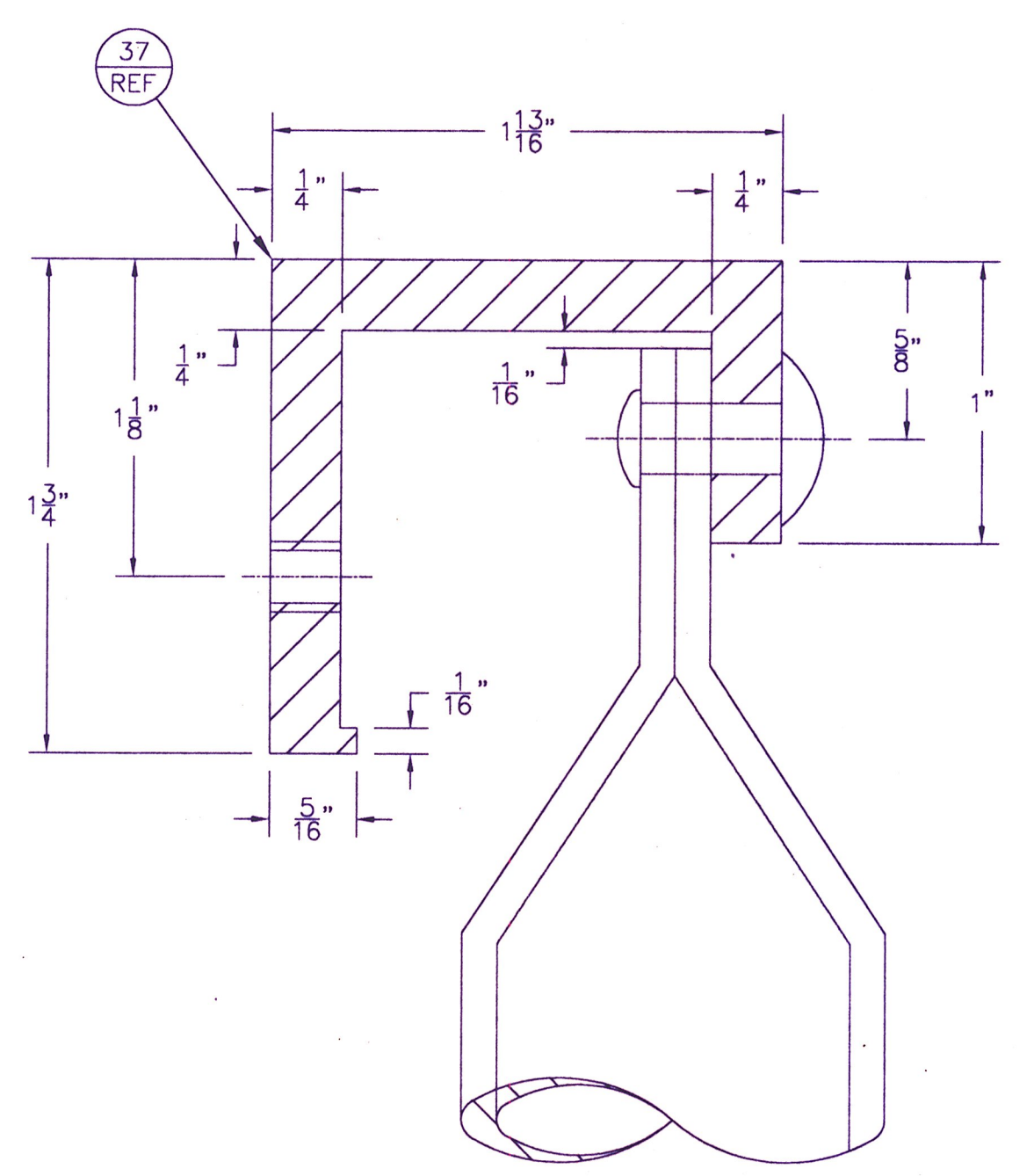


RAIL LENGTHS
 SEE SHEET 3 FOR RAIL SECTIONS
 SEE SHEET 7 FOR BACK VIEW DETAILS

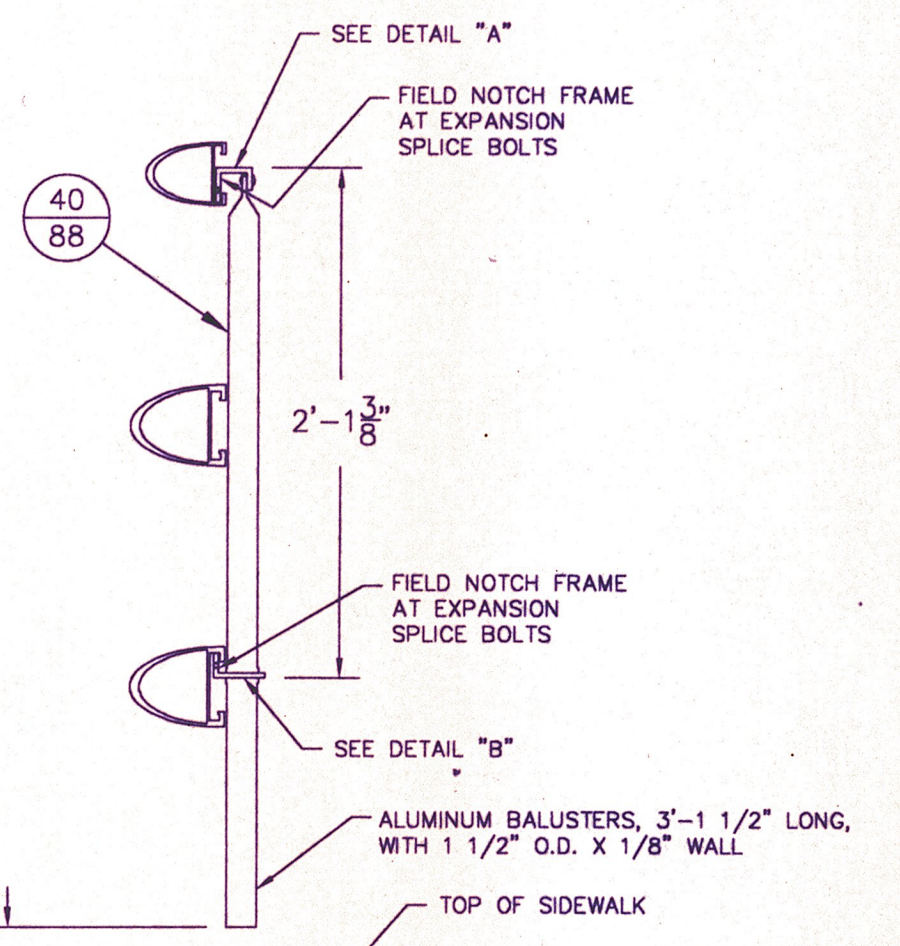
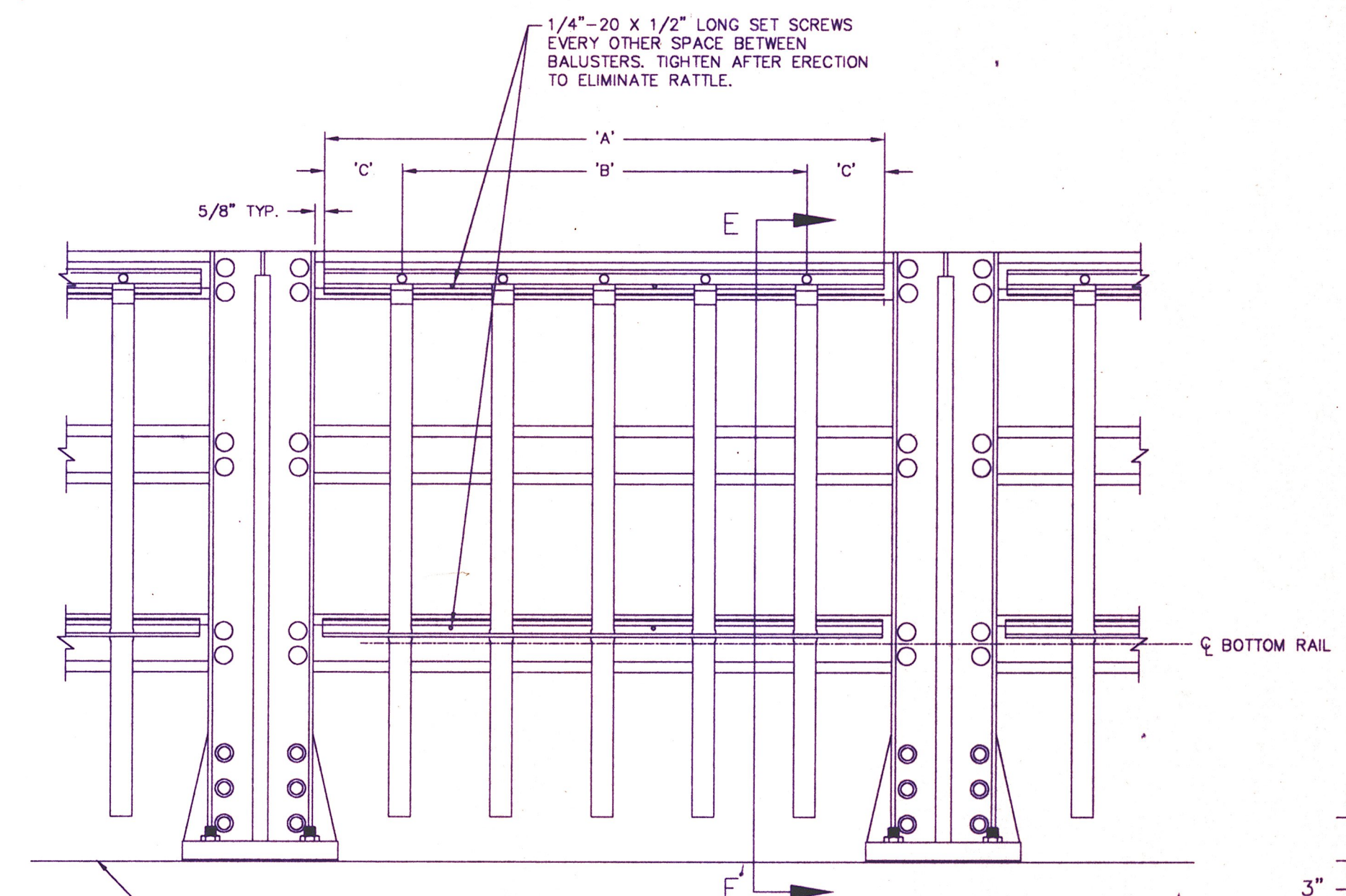


APPROACH POST
 #1-4.8-11

APPROACH POST
 #5-7.12-14



DETAIL "A"



SECTION E-E

- BALUSTER NOTES
- BALUSTERS AND ATTACHMENTS SHALL BE PAID FOR UNDER ITEM 563.74.
 - ALUMINUM BALUSTERS AND ATTACHMENTS SHALL CONFORM TO THE REQUIREMENTS SPECIFIED IN N.H. SPECIFICATION 563.2.6.
 - PAY LIMITS FOR BALUSTERS SHALL BE AS SHOWN ON THE PLANS.

BALUSTER PANEL ASSEMBLY						SIZE	CAGE	DRAWING NO.	REV
SIDE	QUANTITY	'A' DIM.	'B' DIM.	'C' DIM.	NUMBER OF BALUSTERS	D	3P323	VTBR97291	A
SIDEWALK	8	6'-6 15/16"	10 SPACES @ 7" = 70" (5'-10")	4 15/32"	8 PANELS X 11 BALUSTERS = 88	SCALE	AS NOTED	CALC WT	- LBS. SHEET 6 OF 7