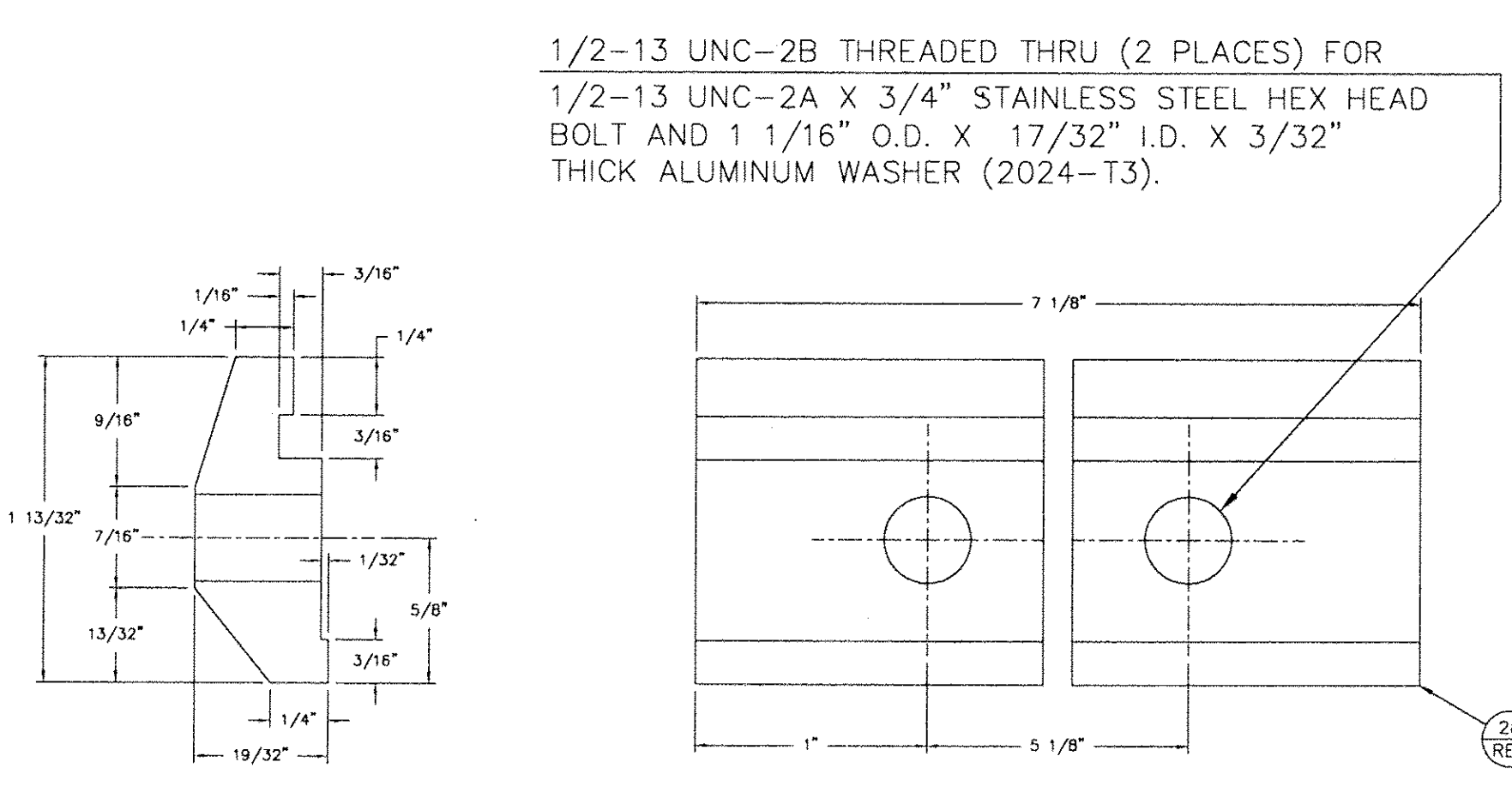
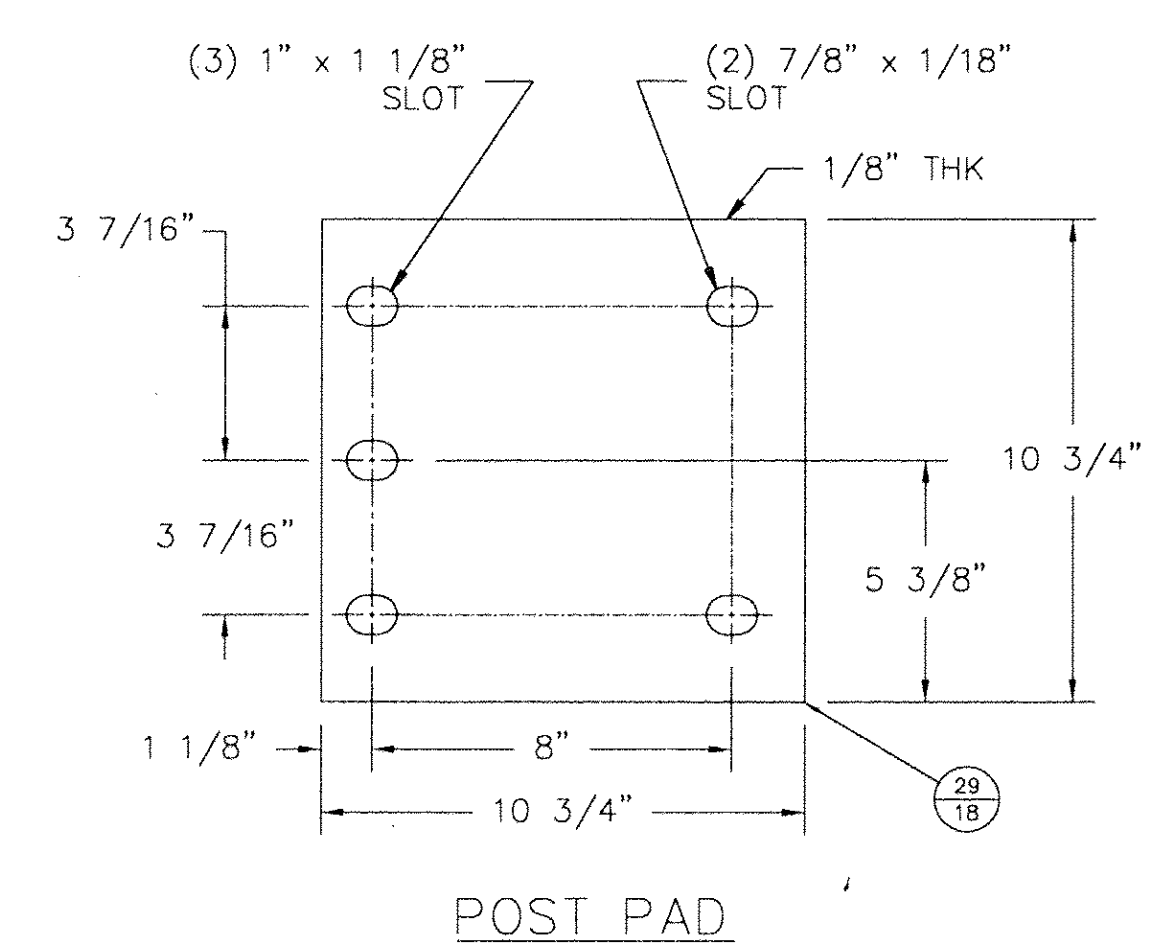


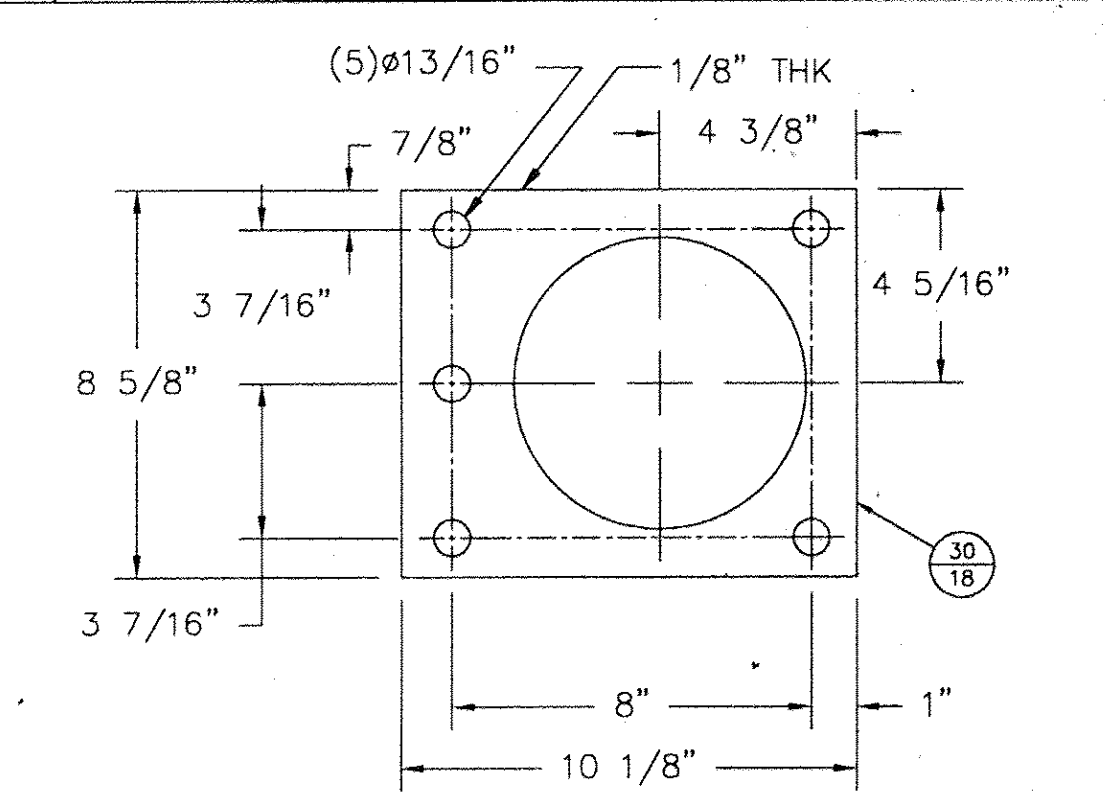
BARRIER RAIL CLAMP BAR



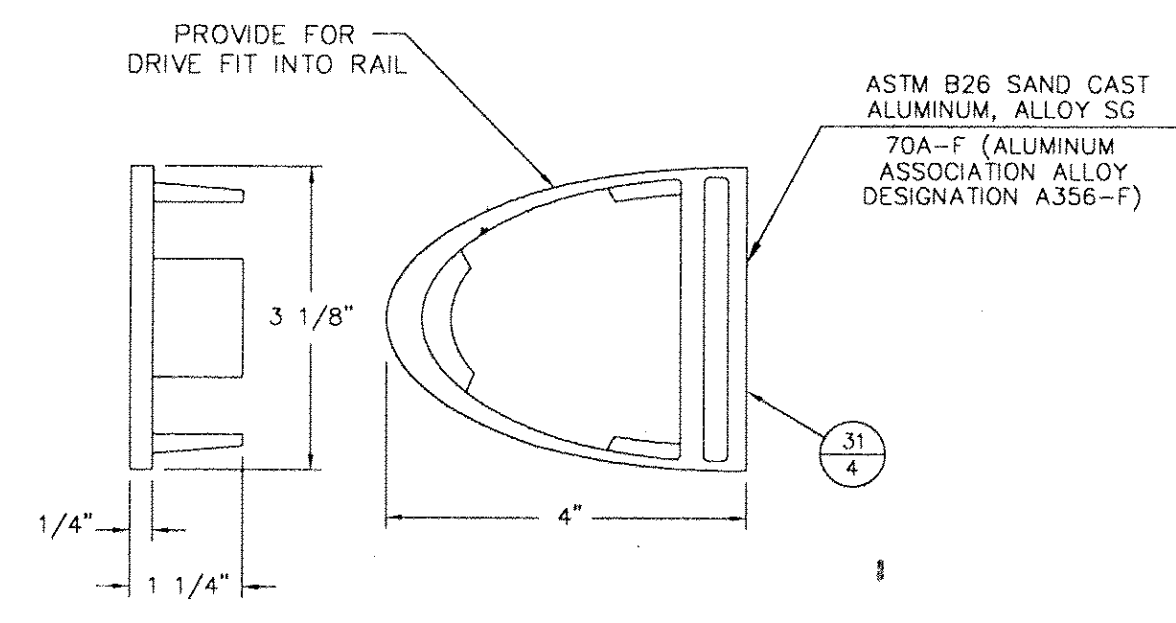
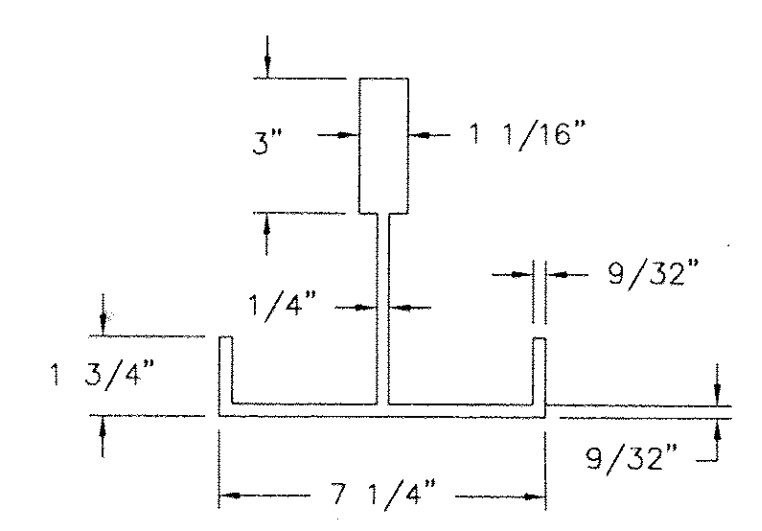
HAND RAIL CLAMP BAR



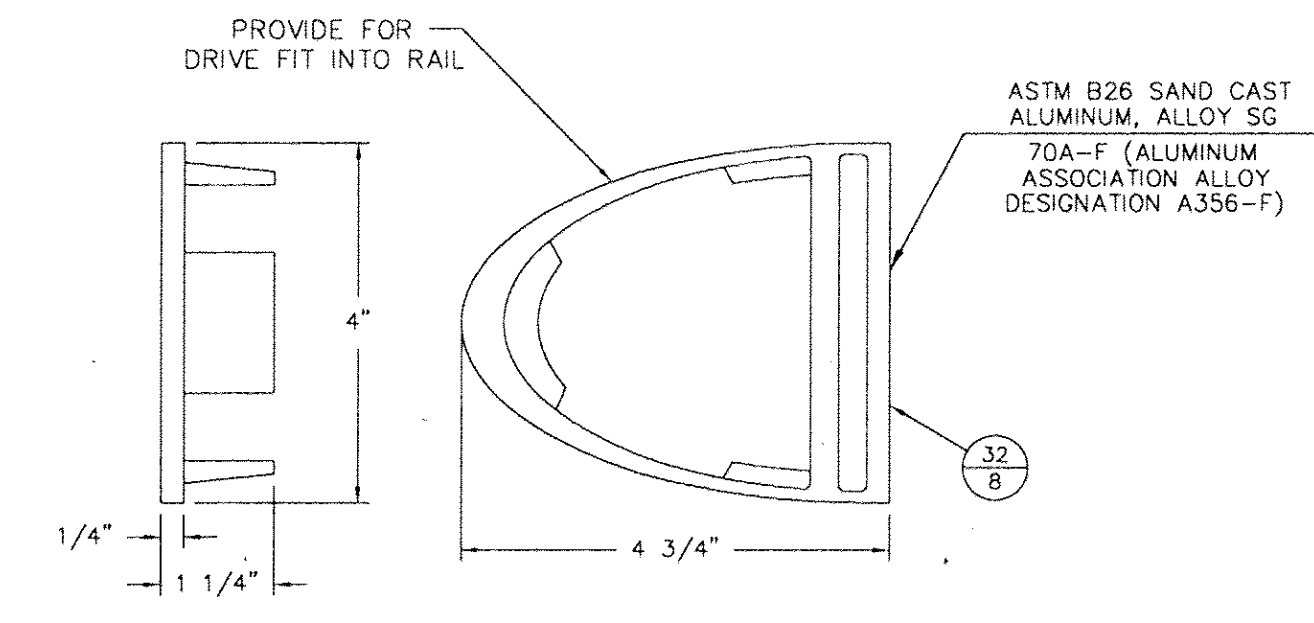
POST PAD



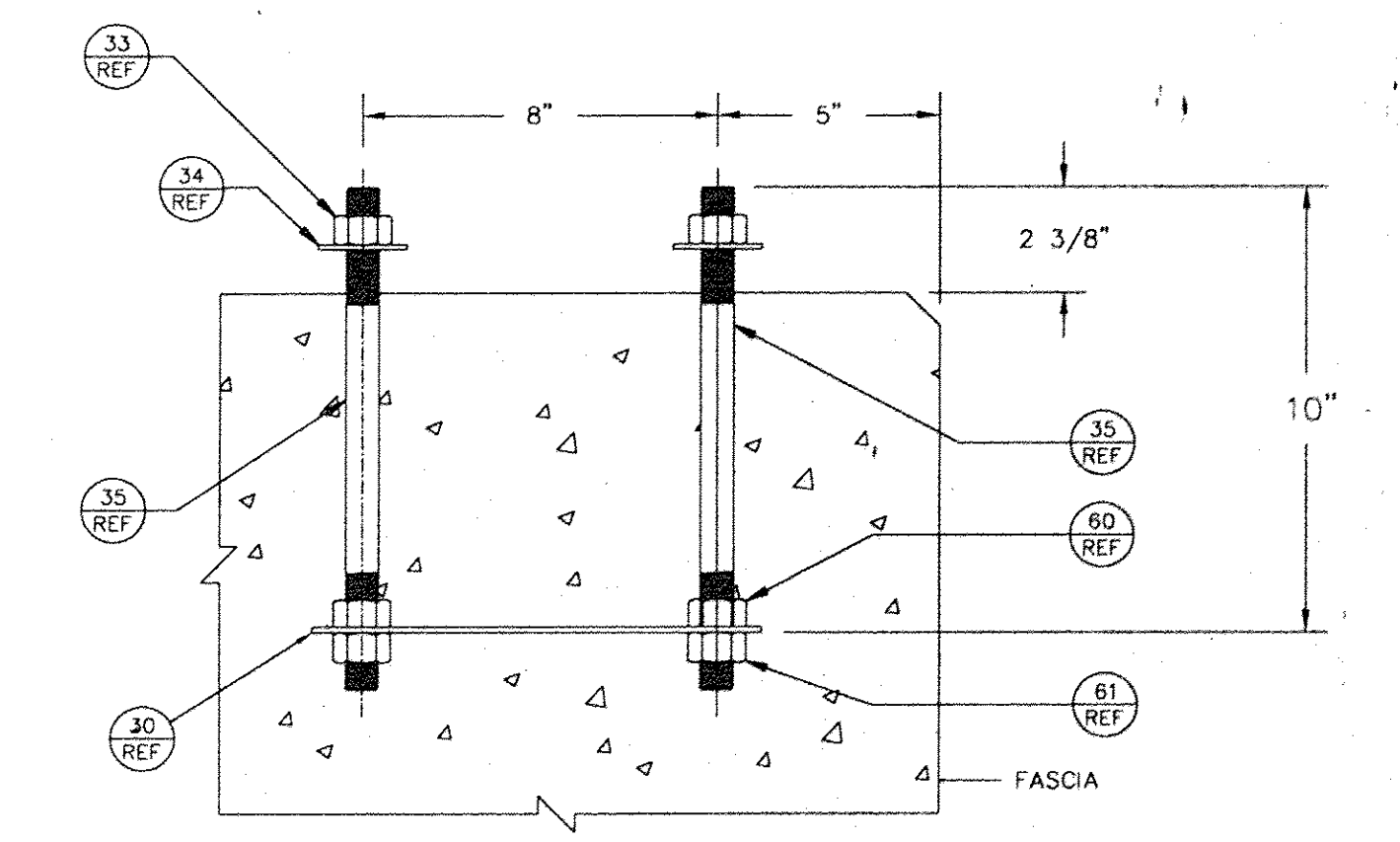
ANCHOR PLATE DETAIL



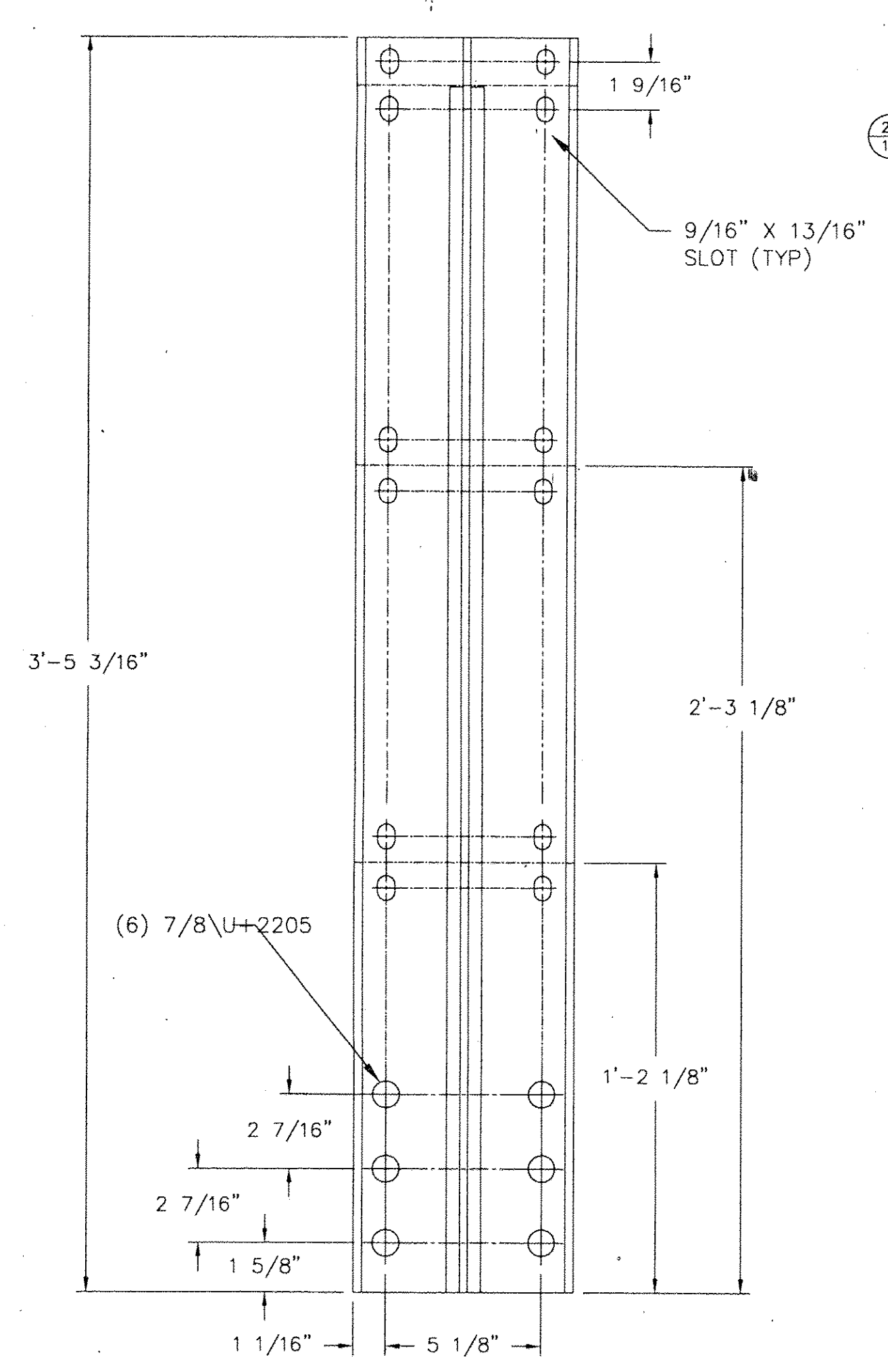
HAND RAIL END CAP



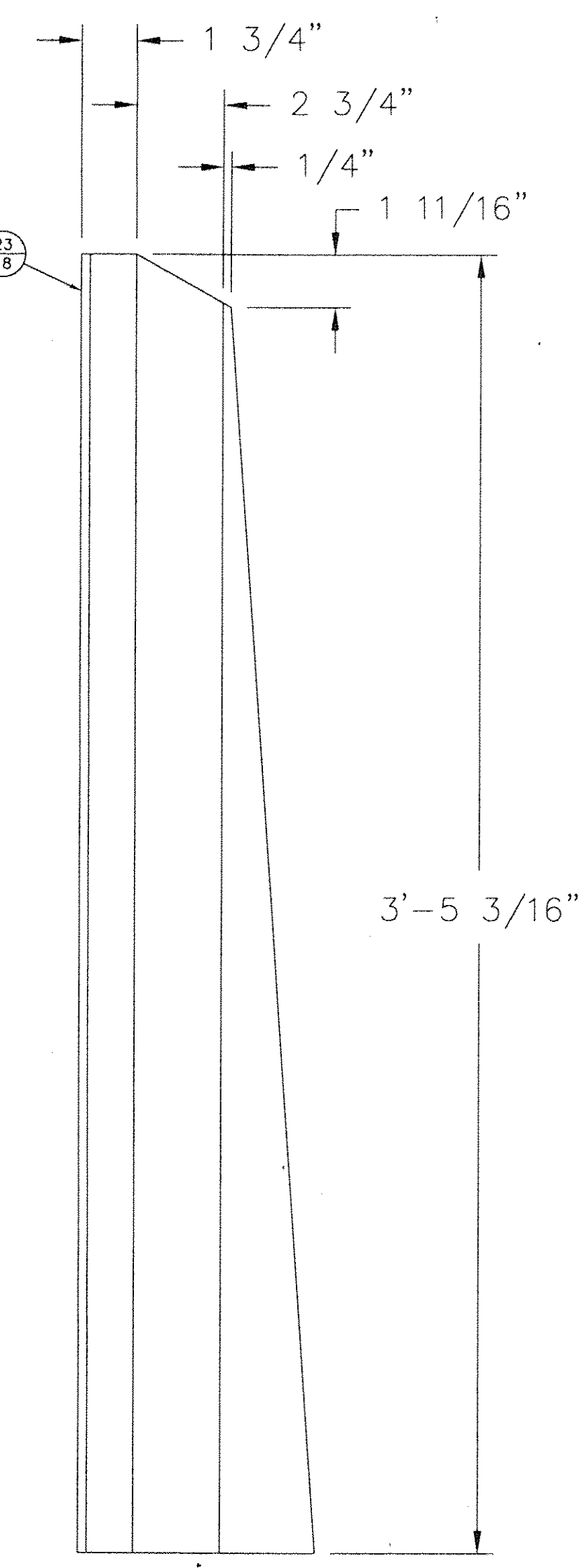
BARRIER RAIL END CAP



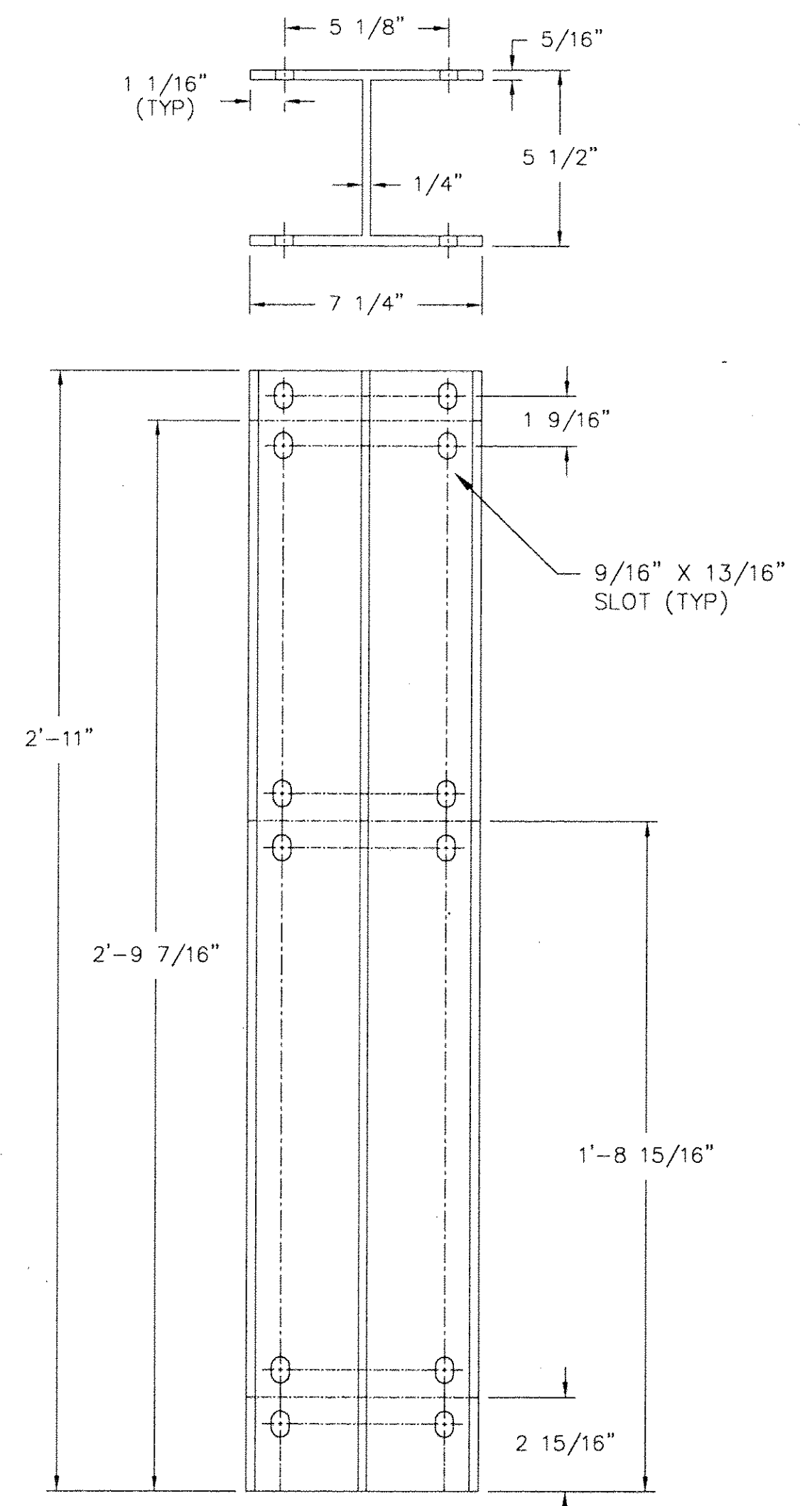
POST ANCHOR ASSEMBLY



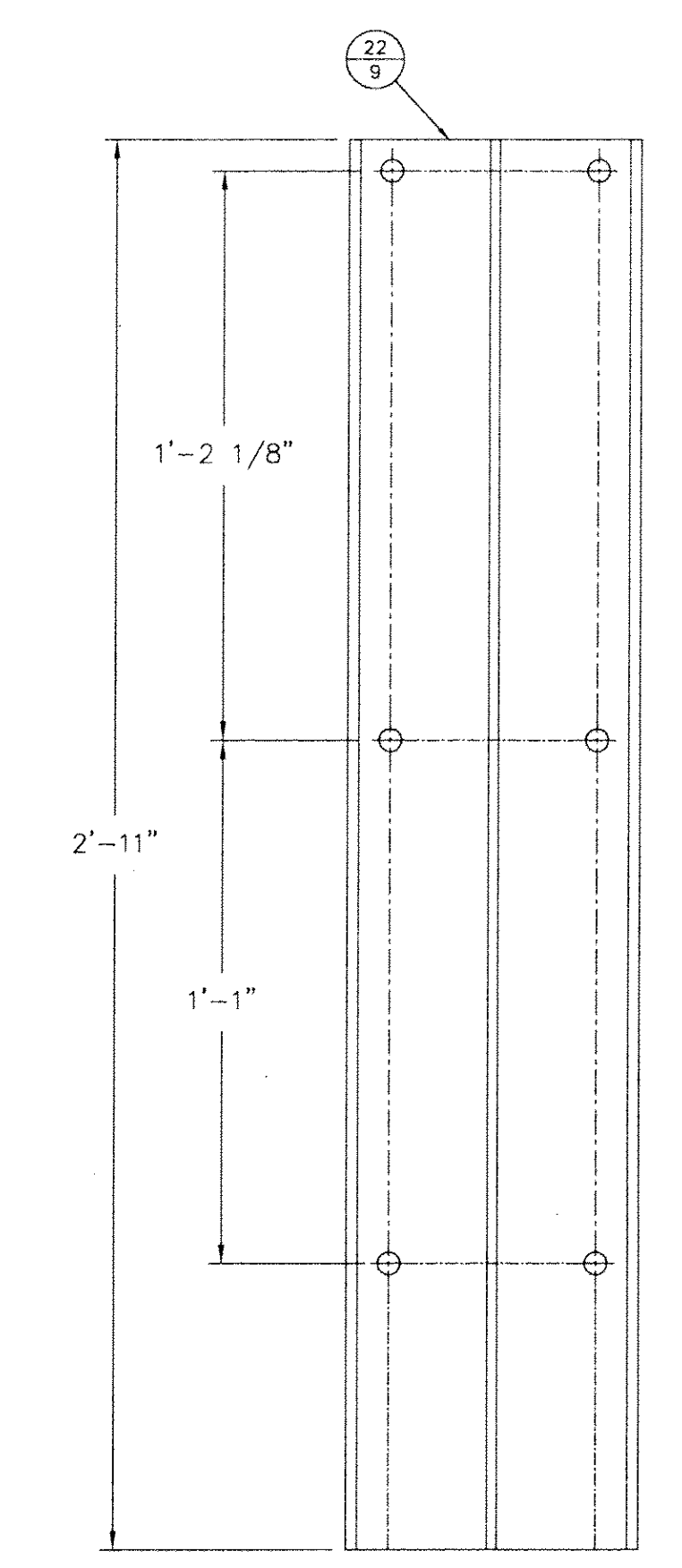
BRIDGE RAIL POST STEM



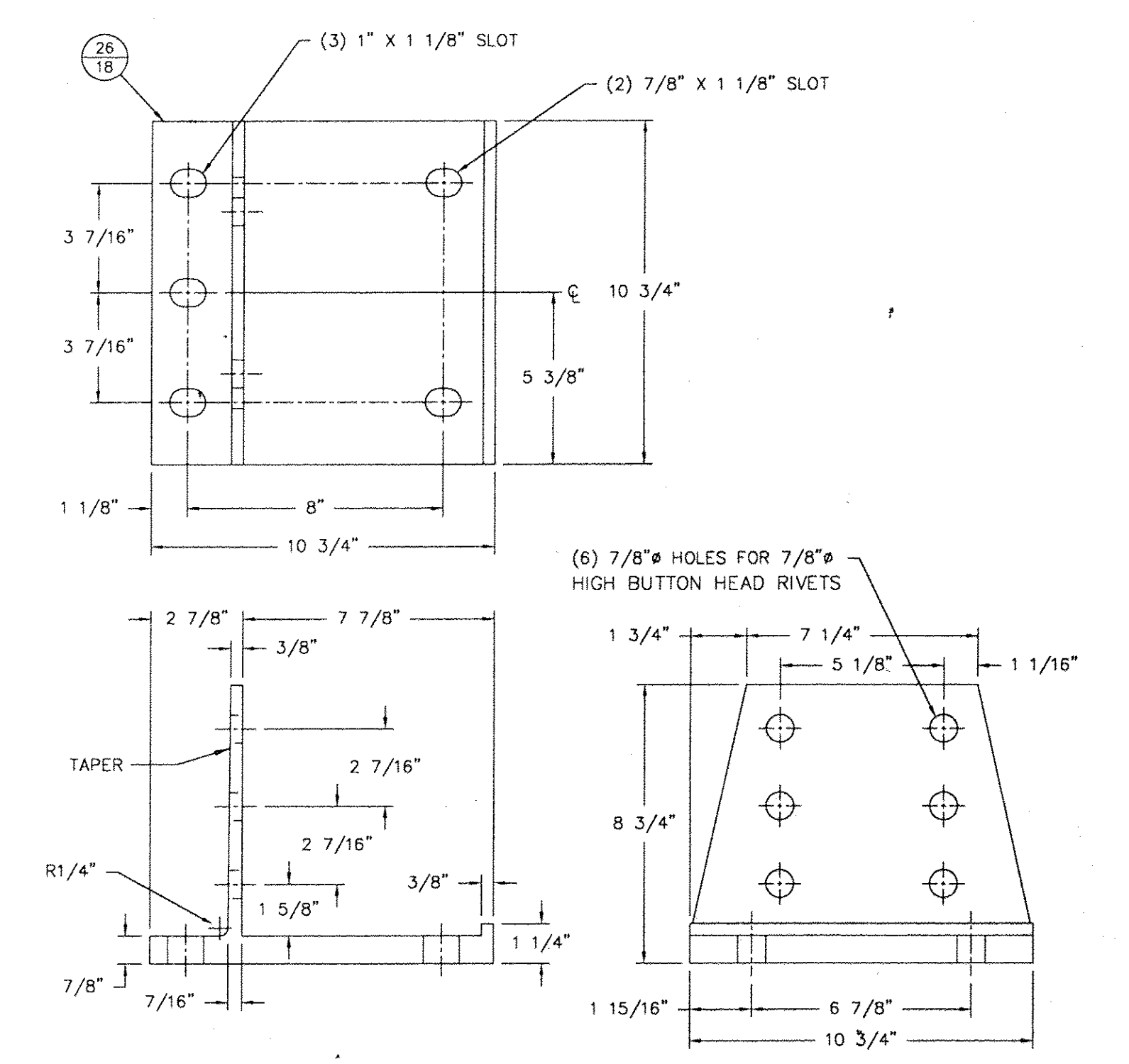
SIDE VIEW



OFFSET BLOCK RAIL SIDE



OFFSET BLOCK POST SIDE



POST BASE DETAILS