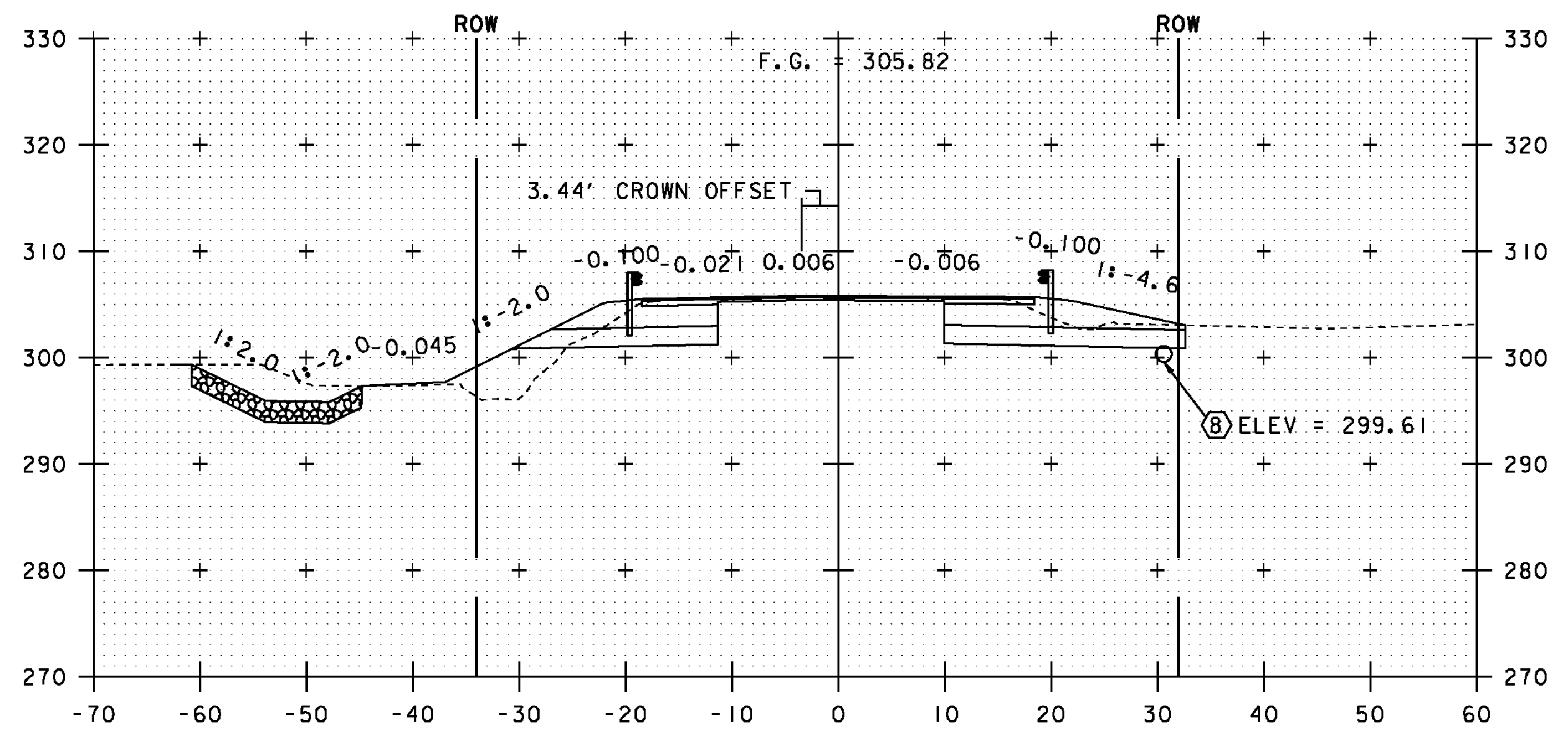
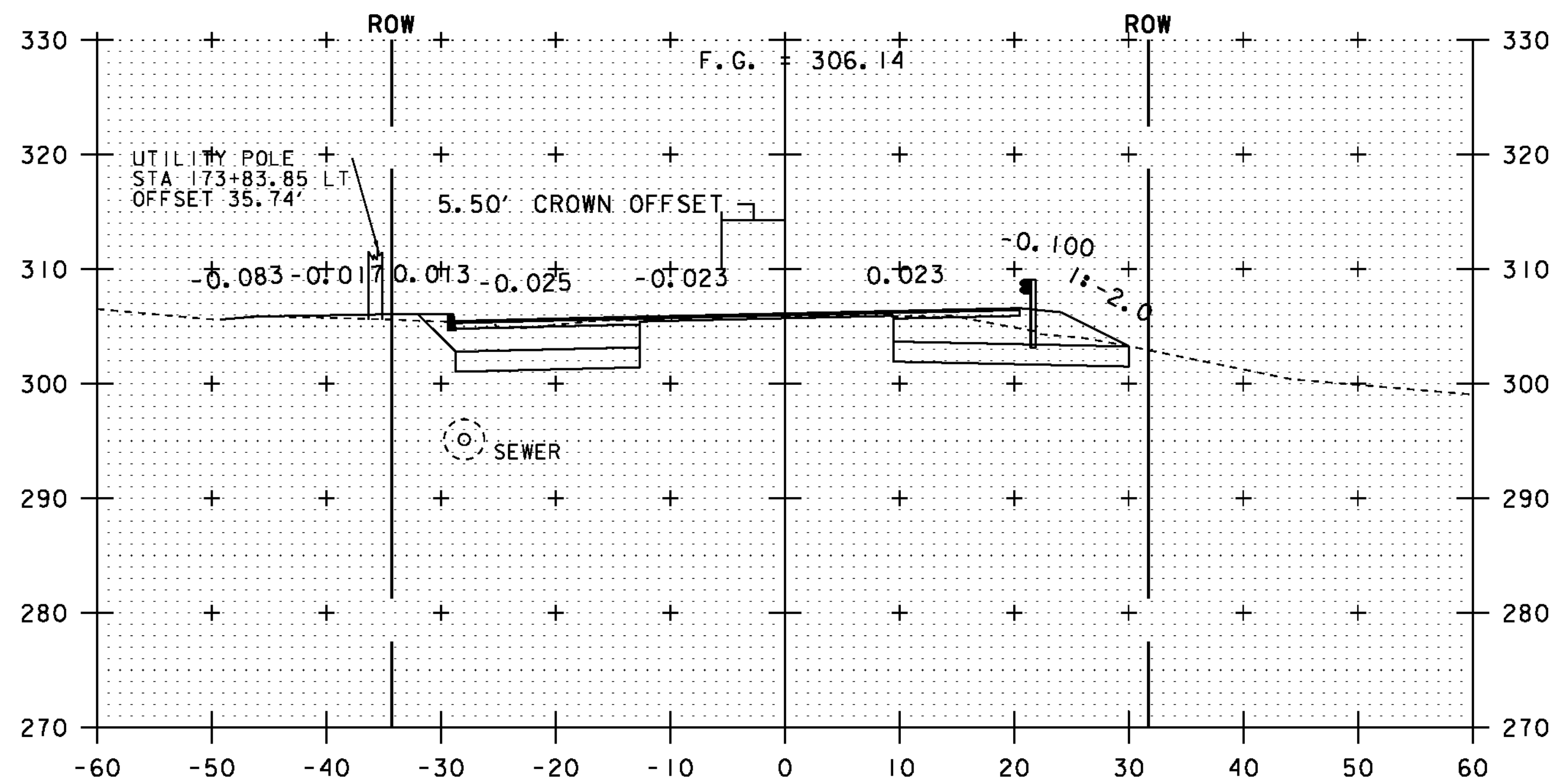


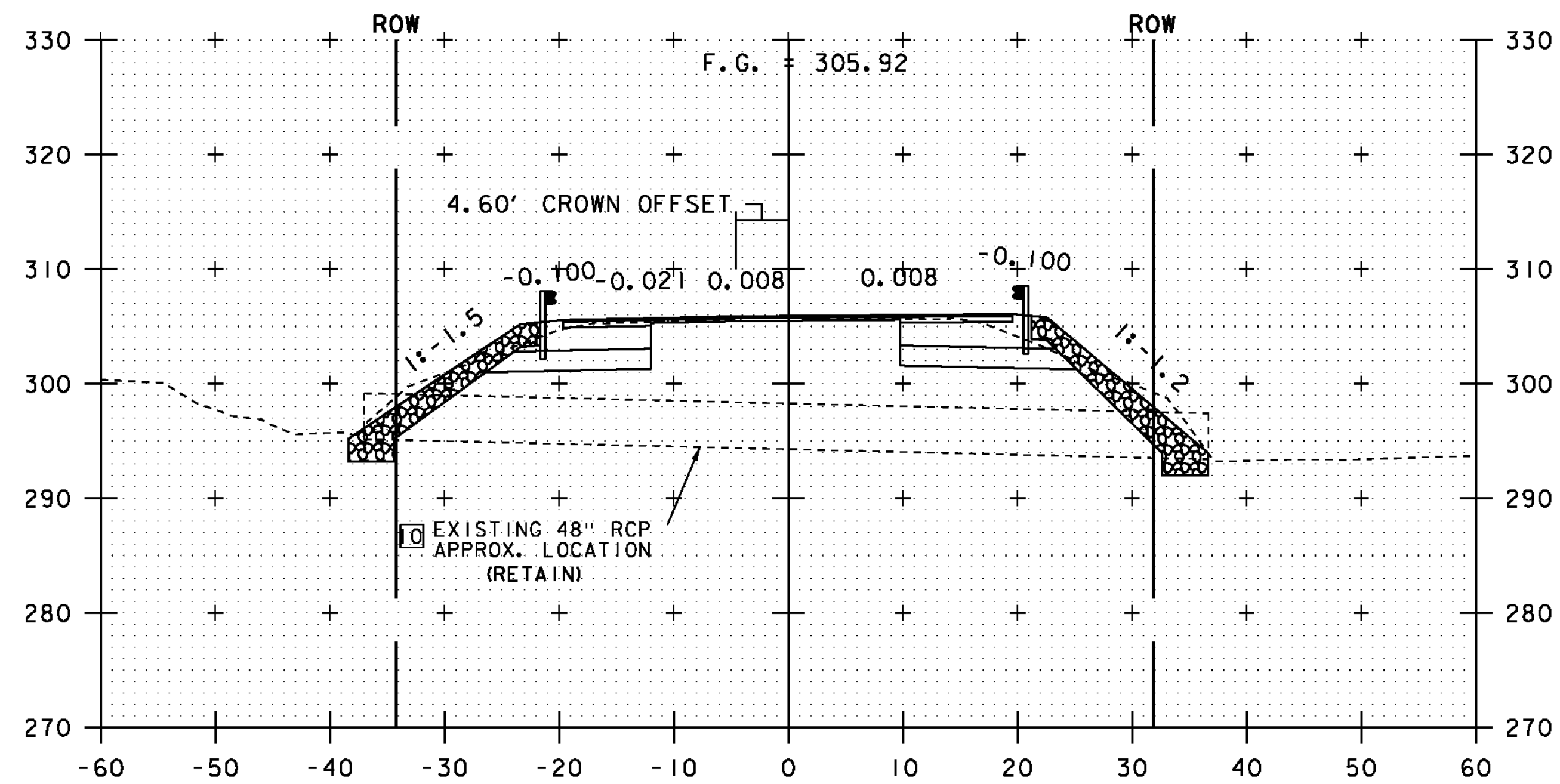
174+00



174+50

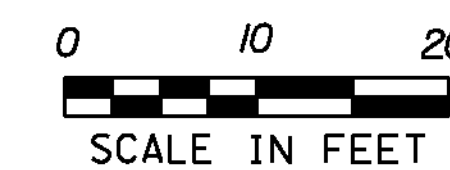


PT 173+68.81



174+08.13  
SKEWED -2°21'21.24"  
48" DIAMETER CULVERT

NOTE:  
ALL BURIED UTILITIES ARE EXISTING,  
THE LOCATIONS ARE APPROXIMATE  
AND ARE TO REMAIN UNDISTURBED



STA. 173+68.81 TO STA. 174+50

PROJECT NAME: ESSEX TOWN  
PROJECT NUMBER: STP 5400 (5)

FILE NAME: +97d002xsl.dgn  
PROJECT LEADER: J. SCHULTZ  
DESIGNED BY: D. LYMAN  
VT ROUTE 117 CROSS SECTION SHEET 8

PLOT DATE: 24-AUG-2012  
DRAWN BY: D. LYMAN  
CHECKED BY: J. DEVLIN  
SHEET 62 OF 64