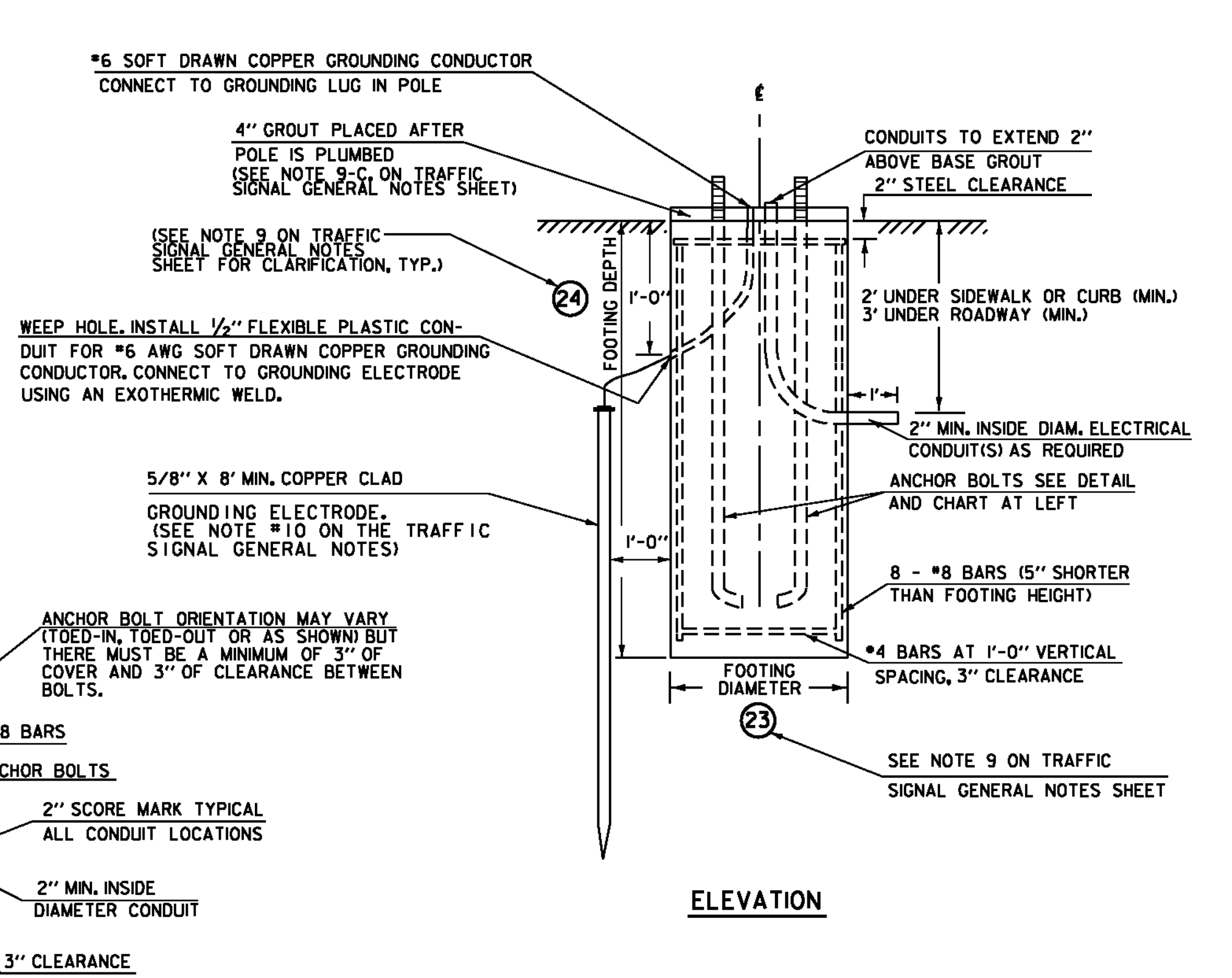
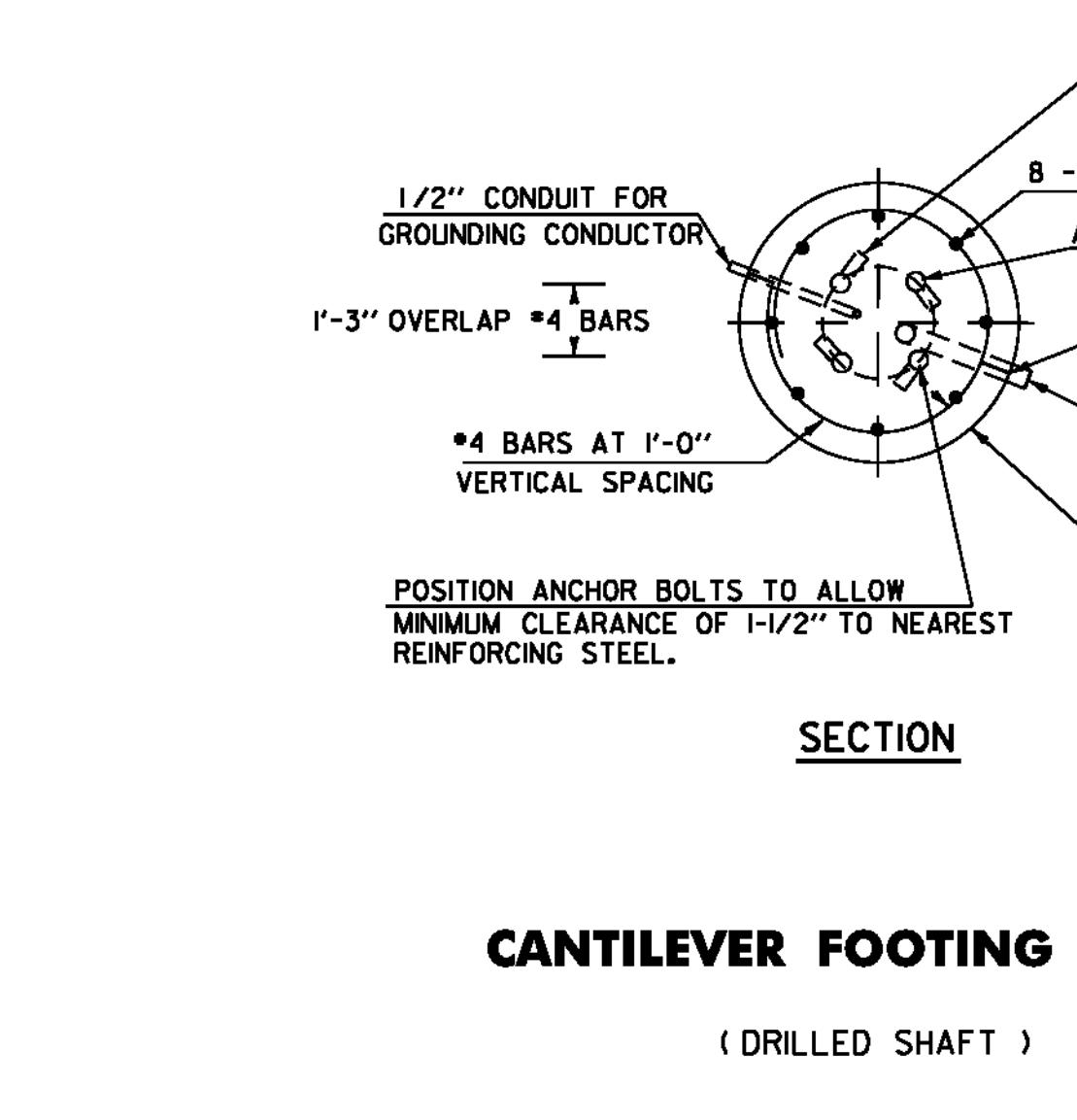
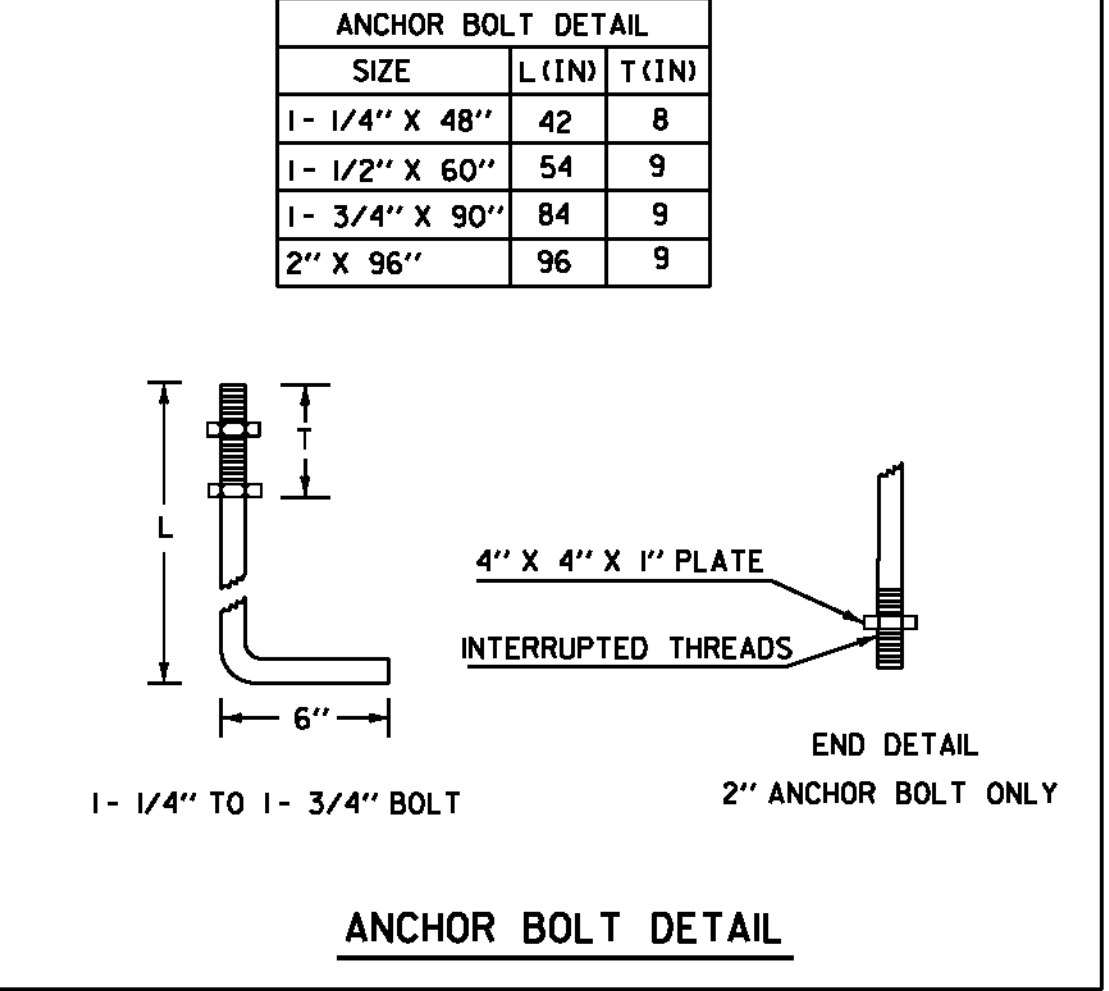
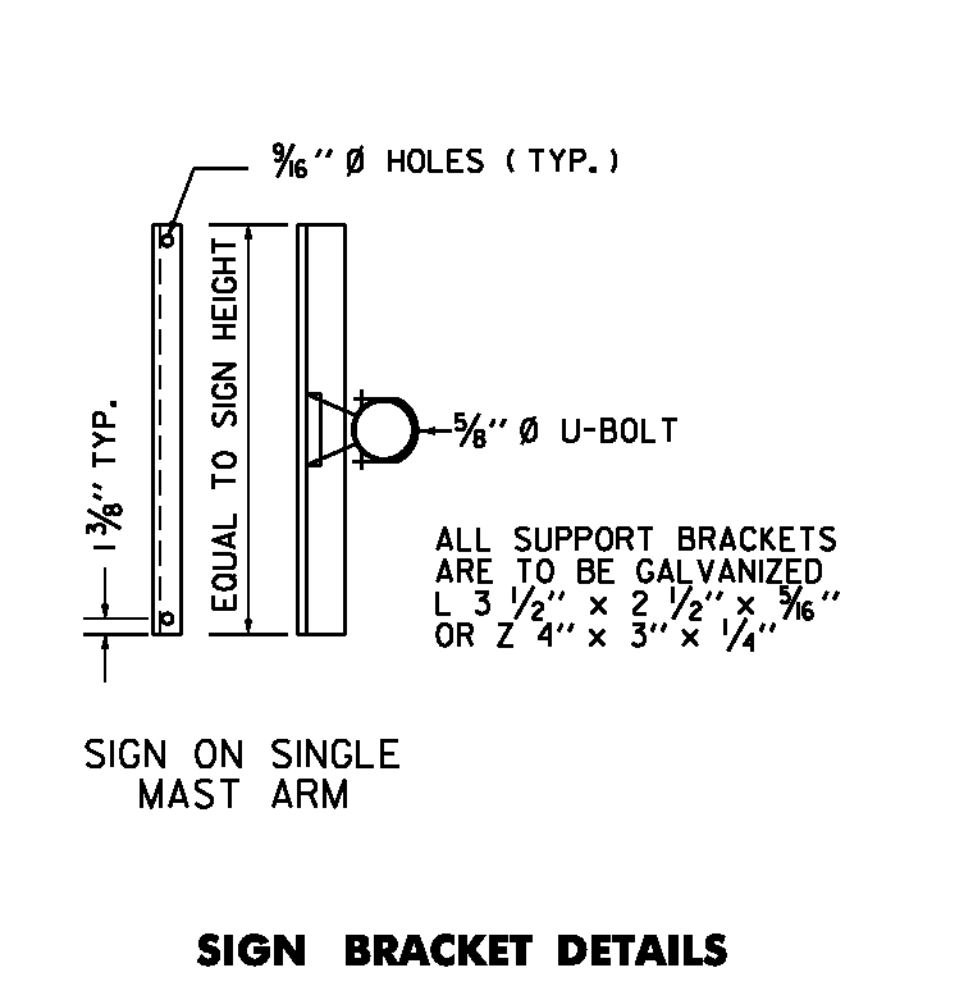
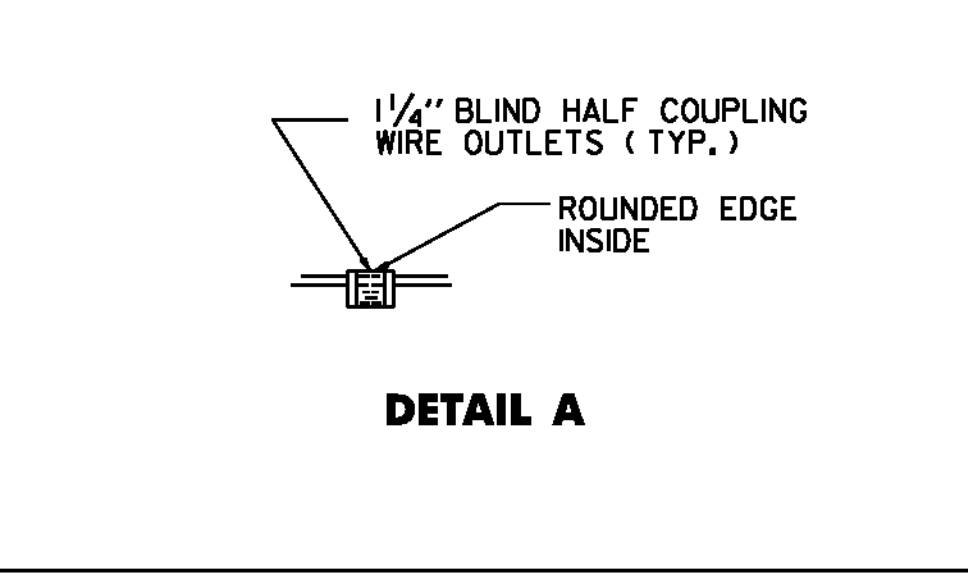


**MAPI**

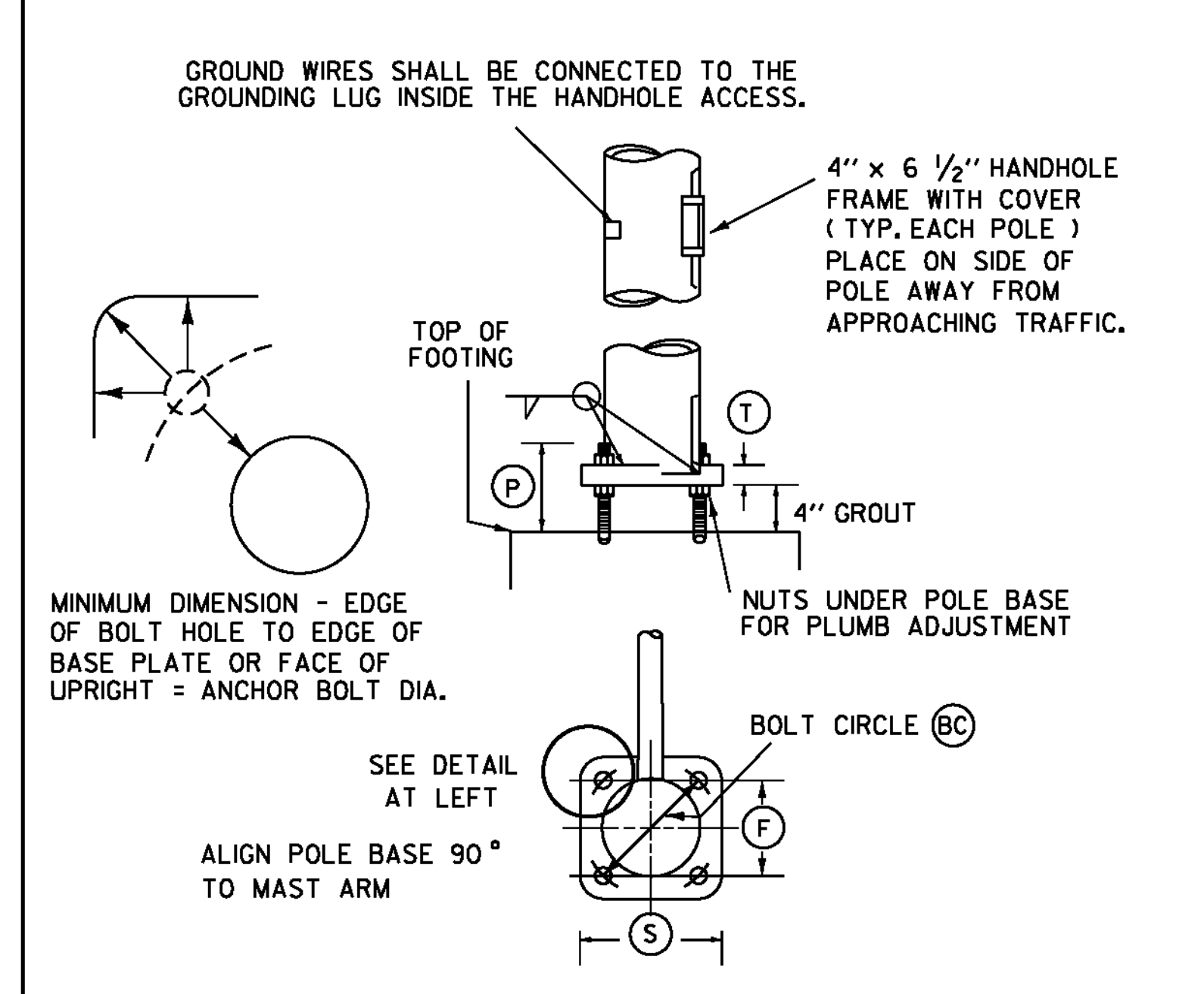
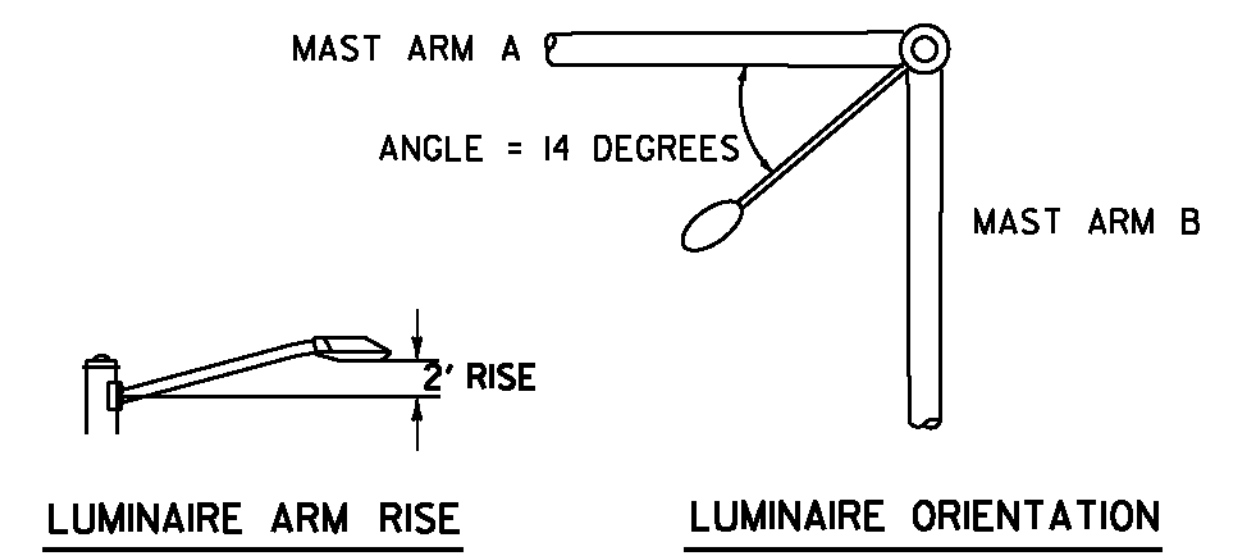
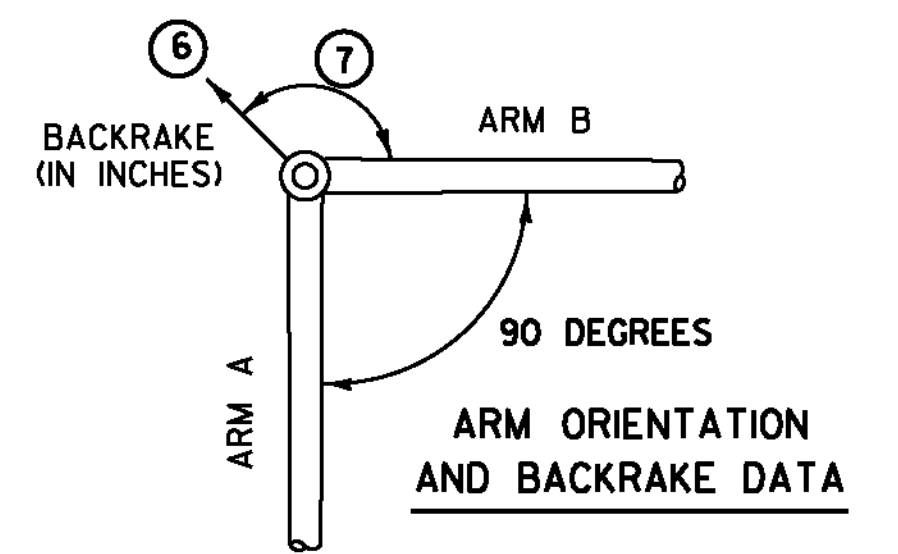
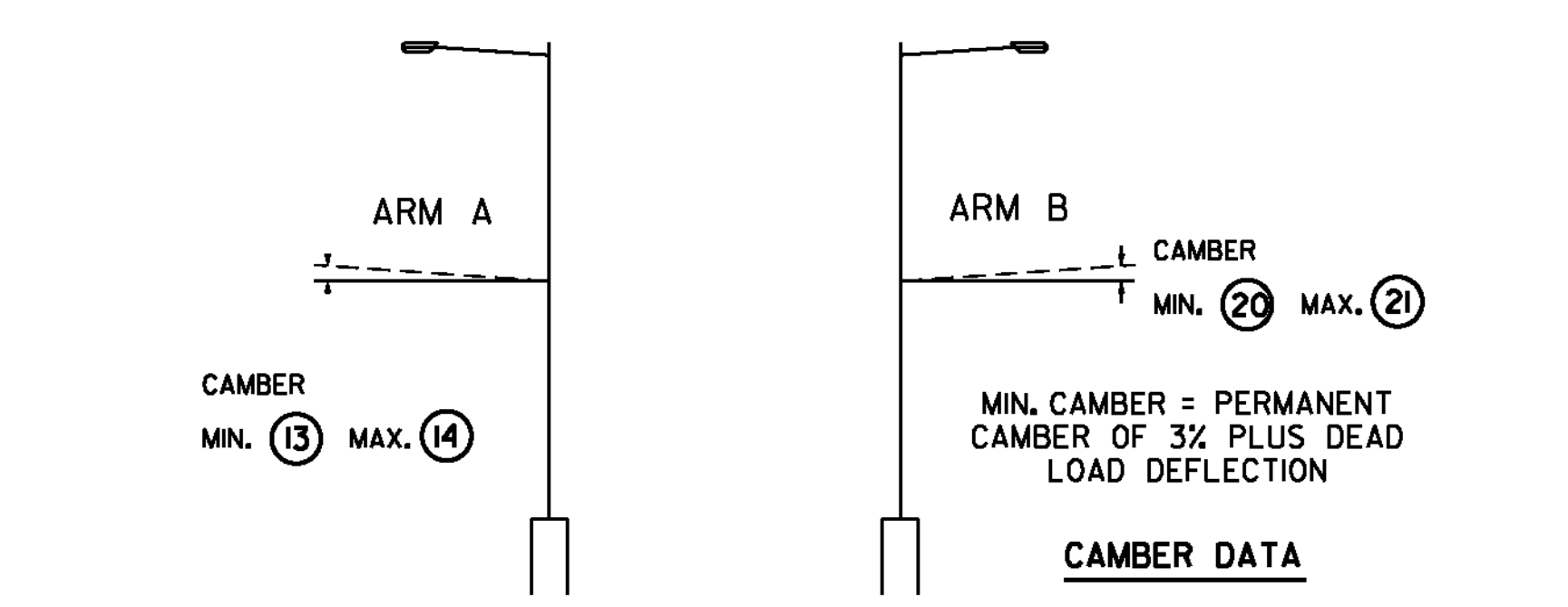
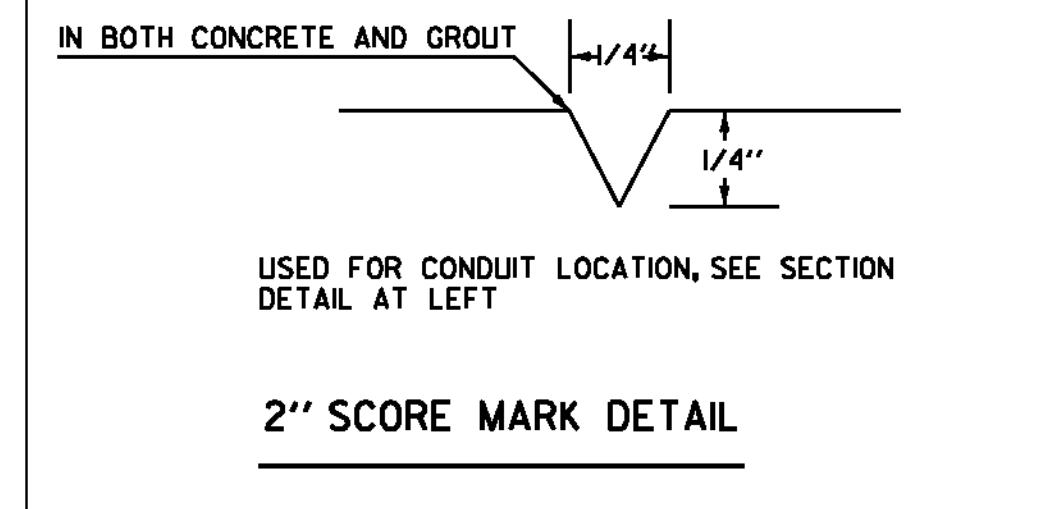
POLE BASE DIAMETER (3)  
 POLE GAUGE (4)  
 POLE TAPER RATE (5)

ARM B DIAMETER (10)  
 ARM B GAUGE (11)  
 ARM B TAPER RATE (12)

ARM A DIAMETER (17)  
 ARM A GAUGE (18)  
 ARM A TAPER RATE (19)



**N.T.S. (TYP.)**



POLE	POLE DATA							ARM DATA														FOOTING DATA		BASE PLATE / BOLT DATA							
	(1)	(2)	(3)	(4)	(5)	(6)	(7)	(8)	(9)	(10)	(11)	(12)	(13)	(14)	(15)	(16)	(17)	(18)	(19)	(20)	(21)	(22)	(23)	(24)	(BC)	(F)	(S)	(T)	(P)	ANCHOR BOLT SIZE	
MAPI	30	20.5						45																							

NOTE:  
 DETAILS  
 NTS

# DOUBLE MAST ARM CANTILEVER FOOTING DETAIL SHEET

PROJECT NAME: ESSEX TOWN  
 PROJECT NUMBER: STP 5400 (5)

FILE NAME: t97d002traf.dgn  
 PROJECT LEADER: J. SCHULTZ  
 DESIGNED BY: D. LYMAN  
 MAST ARM CANTILEVER FOOTING DETAILS

PLOT DATE: 24-AUG-2012  
 DRAWN BY: D. LYMAN  
 CHECKED BY: J. DEVLIN  
 SHEET 41 OF 64