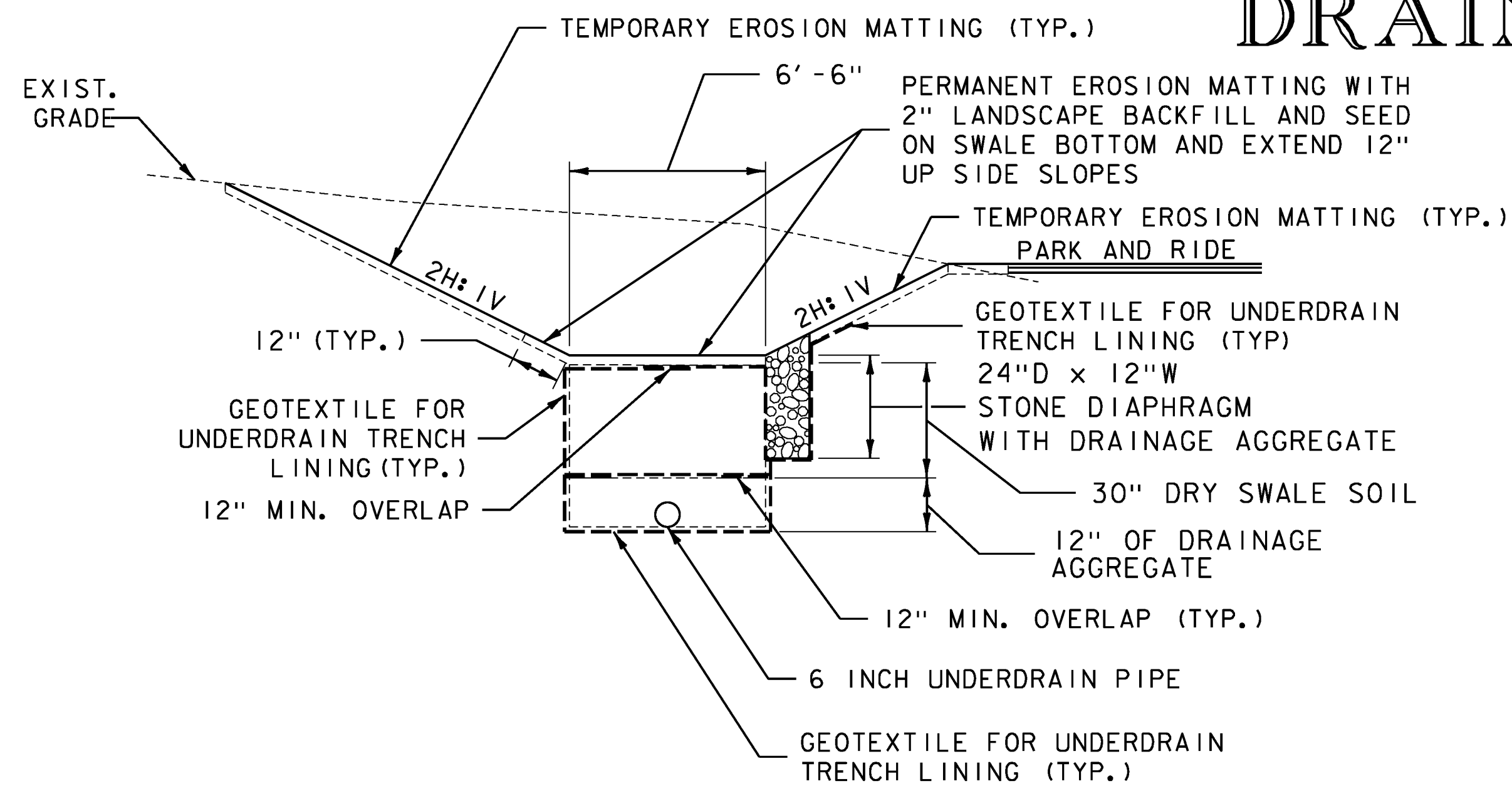


DRAINAGE DETAILS

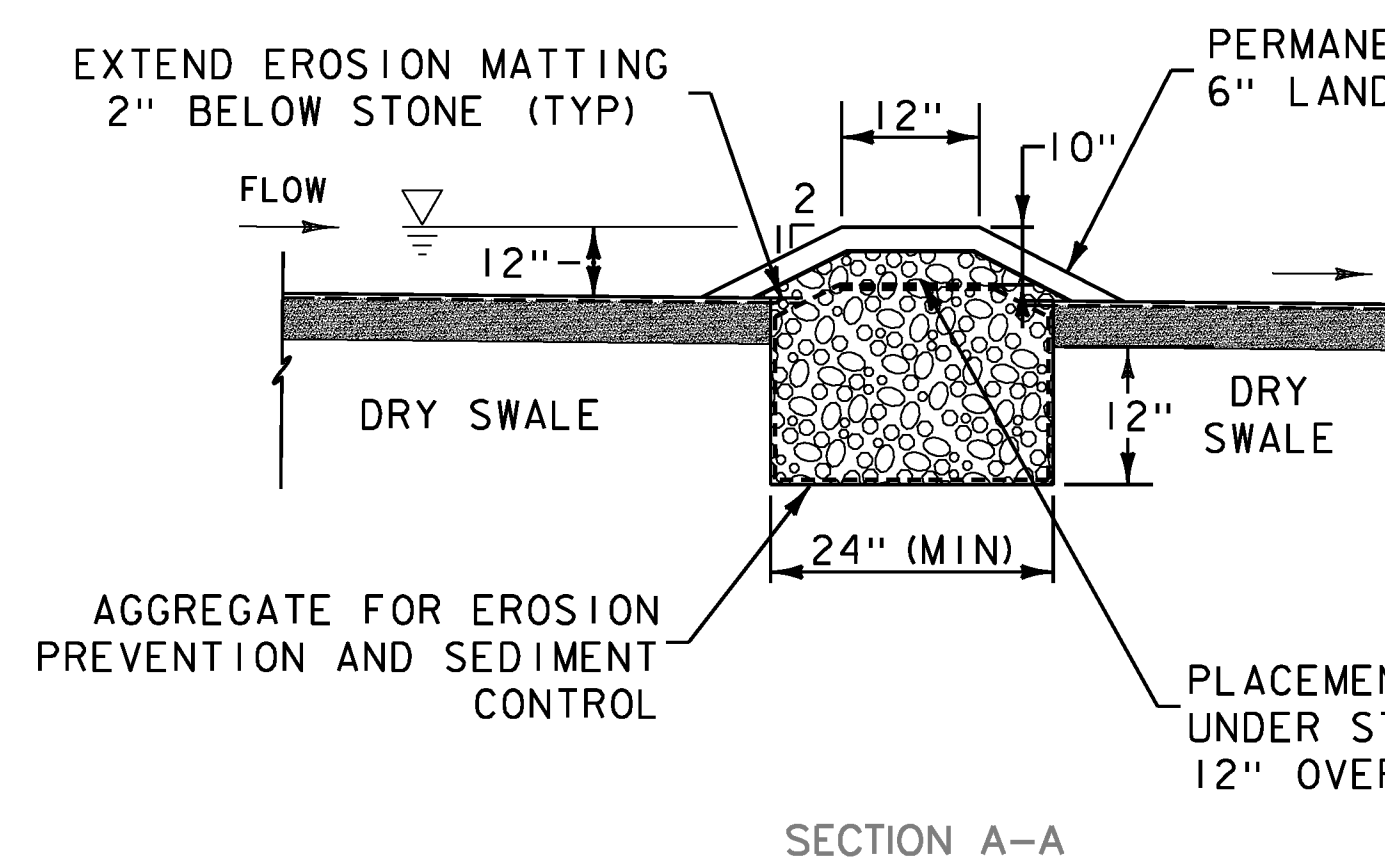


SPECIAL PROVISION (6 INCH UNDERDRAIN PIPE, DRY SWALE)

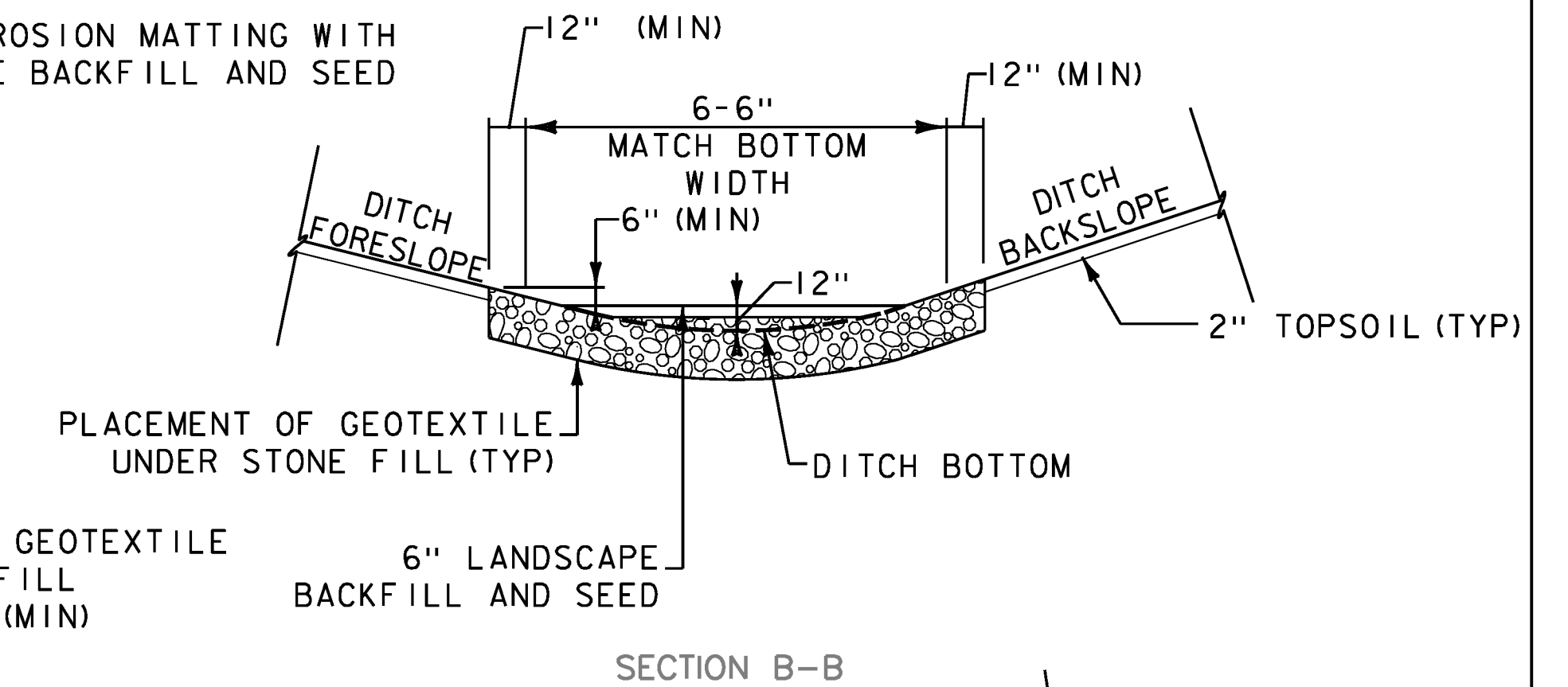
DRY SWALE NOTES:

NOT TO SCALE

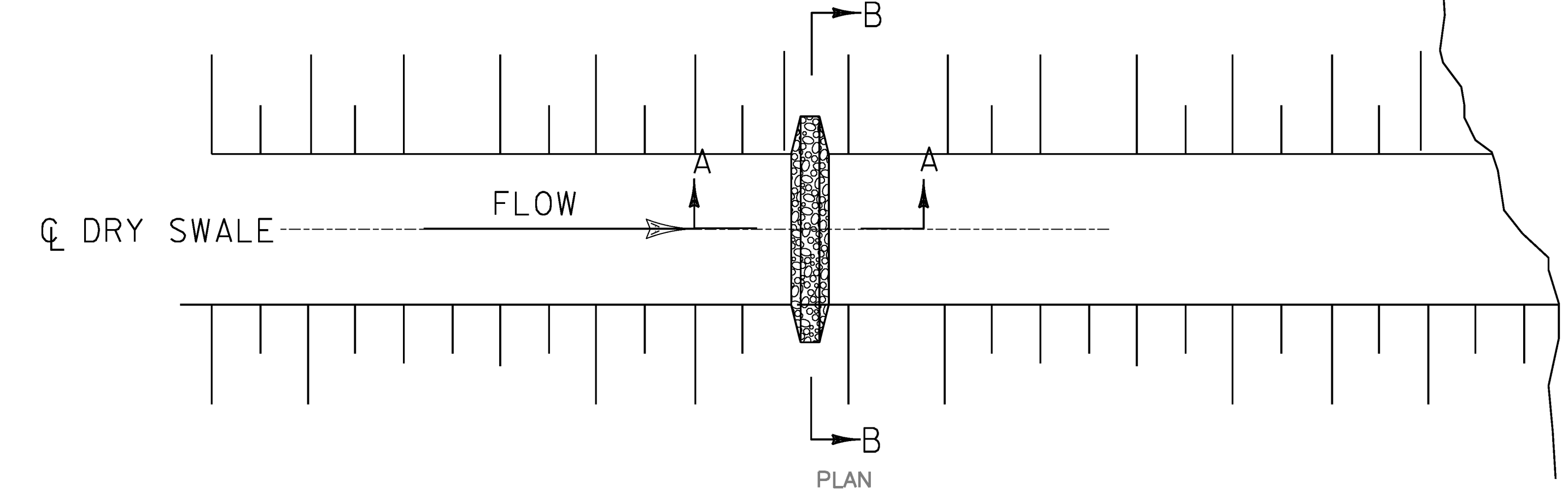
- 1) THE CONTRACTOR SHALL WRAP GEOTEXTILE FOR UNDERDRAIN TRENCH LINING AROUND THE DRY SWALE SOIL AND DRAINAGE AGGREGATE SEPARATELY WITH A MINIMUM OF 12" OVERLAP AT ENDS.
- 2) THE CONTRACTOR SHALL PLACE PERMANENT EROSION MATTING WITH LANDSCAPE BACKFILL AND SEED OVER THE DRY SWALE SOIL.
- 3) PAYMENT FOR ITEM 900.640, "SPECIAL PROVISION (6 INCH UNDERDRAIN PIPE, DRY SWALE)" SHALL INCLUDE 6 INCH UNDERDRAIN, DRY SWALE SOIL, DRAINAGE AGGREGATE FOR STONE DIAPHRAGM AND GEOTEXTILE FOR UNDERDRAIN TRENCH LINING. PAYMENT FOR EXCAVATION SHALL BE MADE UNDER ITEM 204.20, "TRENCH EXCAVATION OF EARTH". PAYMENT FOR SEED SHALL BE MADE UNDER 651.15 "SEED". PAYMENT FOR "PERMANENT EROSION MATTING" SHALL BE MADE UNDER ITEM 653.21. PAYMENT FOR LANDSCAPE BACKFILL SHALL BE MADE UNDER ITEM 656.80 "LANDSCAPE BACKFILL, TRUCK MEASUREMENT".



SECTION A-A



SECTION B-B



SPECIAL PROVISION (PERMANENT STONE CHECK DAM)

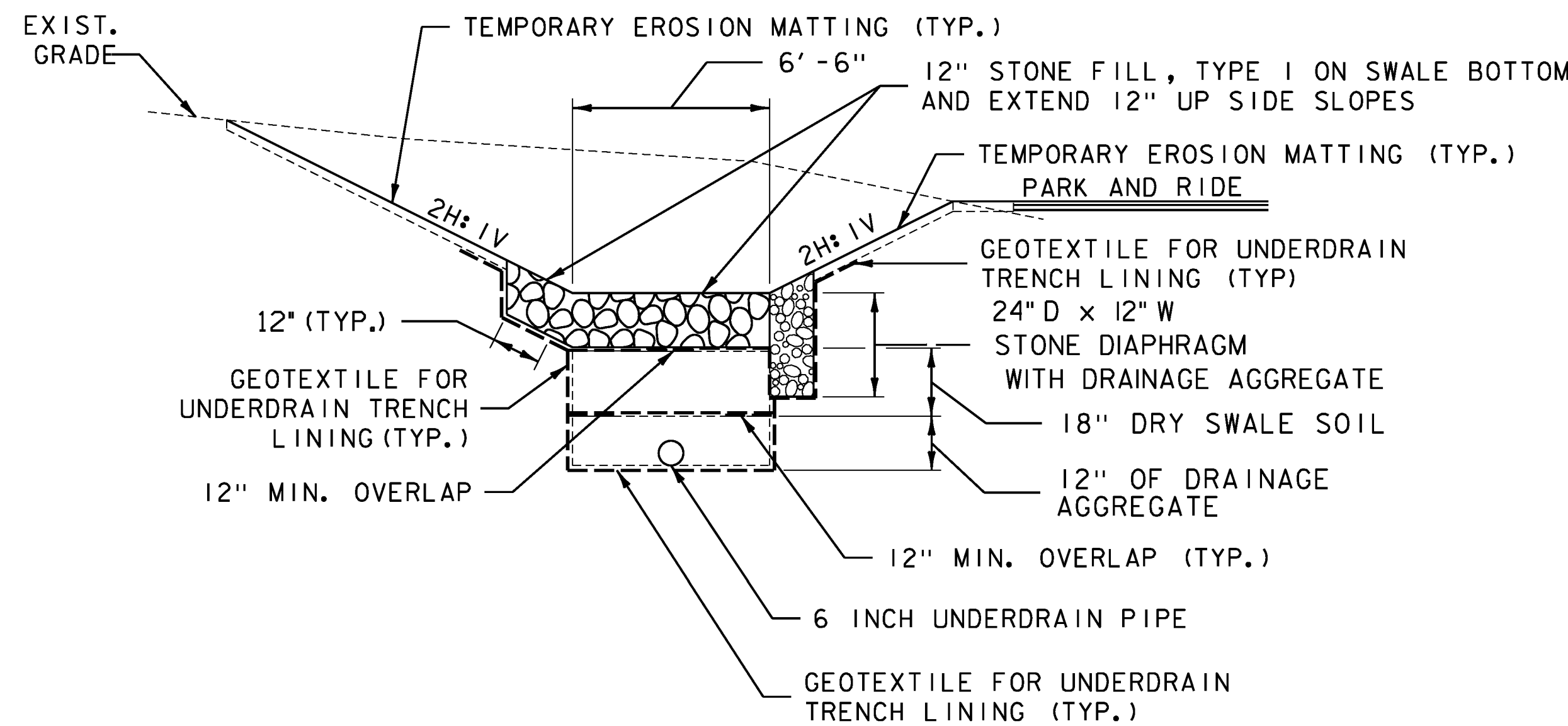
NOT TO SCALE

APPLICATION NOTES:

A. THESE CHECK DAMS ARE REQUIRED AS PART OF THE EROSION CONTROL AND PERMANENT STORMWATER MITIGATION REQUIREMENTS FOR THIS PROJECT. ALL CHANGES TO THE LOCATION, SIZE AND GEOMETRY SHALL BE APPROVED BY THE ENGINEER AND SHALL BE IN ACCORDANCE WITH ALL RELATED PERMITS.

GENERAL NOTES:

1. GEOTEXTILE UNDER STONE FILL SHALL BE INSTALLED AS INDICATED IN THE DETAILS. IT SHALL BE PLACED DIRECTLY IN THE BOTTOM OF THE PREPARED TRENCH AND WRAPPED AROUND THE AGGREGATE FOR EROSION PREVENTION AND SEDIMENT CONTROL AS SHOWN. PLACE AGGREGATE FOR EROSION PREVENTION AND SEDIMENT CONTROL OVER THE FABRIC AS SHOWN IN THE DETAILS TO CONCEAL THE FABRIC.
2. STONE FOR THE CHECK DAMS SHALL MEET THE GRADATION REQUIREMENTS OF AGGREGATE FOR EROSION PREVENTION AND SEDIMENT CONTROL AS SPECIFIED IN TABLE 704.17A IN THE STANDARD SPECIFICATIONS. PAYMENT FOR STONE WILL BE INCLUDED UNDER ITEM 900.608 SPECIAL PROVISION (PERMANENT STONE CHECK DAM).
3. LANDSCAPE BACKFILL SHALL BE PLACED TO A DEPTH OF 6 INCHES OVER THE STONE AS SHOWN IN THE DETAIL. PERMANENT EROSION MATTING AND SEED SHALL BE PLACED OVER THE LANDSCAPE BACKFILL. PAYMENT OF LANDSCAPE BACKFILL SHALL BE MADE UNDER ITEM 656.80 "LANDSCAPE BACKFILL, TRUCK MEASUREMENT".
4. PAYMENT FOR EXCAVATION BELOW THE BOTTOM OF LANDSCAPE BACKFILL (FOR DRY SWALE) REQUIRED TO CONSTRUCT THE CHECK DAM SHALL BE MADE UNDER TRENCH EXCAVATION OF EARTH.
5. THE EROSION MATTING FOR THE GRASS CHANNEL SHALL EXTEND BELOW THE STONE AND BE ANCHORED BY THE WEIGHT OF THE STONE AS SHOWN IN THE DETAIL.
6. REFER TO THE EROSION CONTROL NARRATIVE FOR INSPECTION AND MAINTENANCE REQUIREMENTS.



SPECIAL PROVISION (6 INCH UNDERDRAIN PIPE, DRY SWALE WITH STONE FILL)

DRY SWALE WITH STONE FILL NOTES:

NOT TO SCALE

- 1) THE CONTRACTOR SHALL WRAP GEOTEXTILE FOR UNDERDRAIN TRENCH LINING AROUND THE DRY SWALE SOIL AND DRAINAGE AGGREGATE SEPARATELY WITH A MINIMUM OF 12" OVERLAP AT ENDS.
- 2) THE CONTRACTOR SHALL PLACE 12" OF STONE FILL, TYPE I OVER THE DRY SWALE SOIL.
- 3) PAYMENT FOR ITEM 900.640, "SPECIAL PROVISION (6 INCH UNDERDRAIN PIPE, DRY SWALE WITH STONE FILL)" SHALL INCLUDE 6 INCH UNDERDRAIN, STONE FILL, TYPE I, DRY SWALE SOIL, DRAINAGE AGGREGATE FOR STONE DIAPHRAGM AND GEOTEXTILE FOR UNDERDRAIN TRENCH LINING. PAYMENT FOR EXCAVATION SHALL BE MADE UNDER ITEM 204.20, "TRENCH EXCAVATION OF EARTH".

PROJECT NAME:	RICHMOND
PROJECT NUMBER:	CMG PARK (3I)
FILE NAME:	z97cl86drndet.dgn
PROJECT LEADER:	ERIK ATKINS
DESIGNED BY:	T. BIGELOW
DRAINAGE DETAILS SHEET I	
PLOT DATE:	4/29/2013
DRAWN BY:	N. BOSAN
CHECKED BY:	E. ATKINS
SHEET	III OF 133