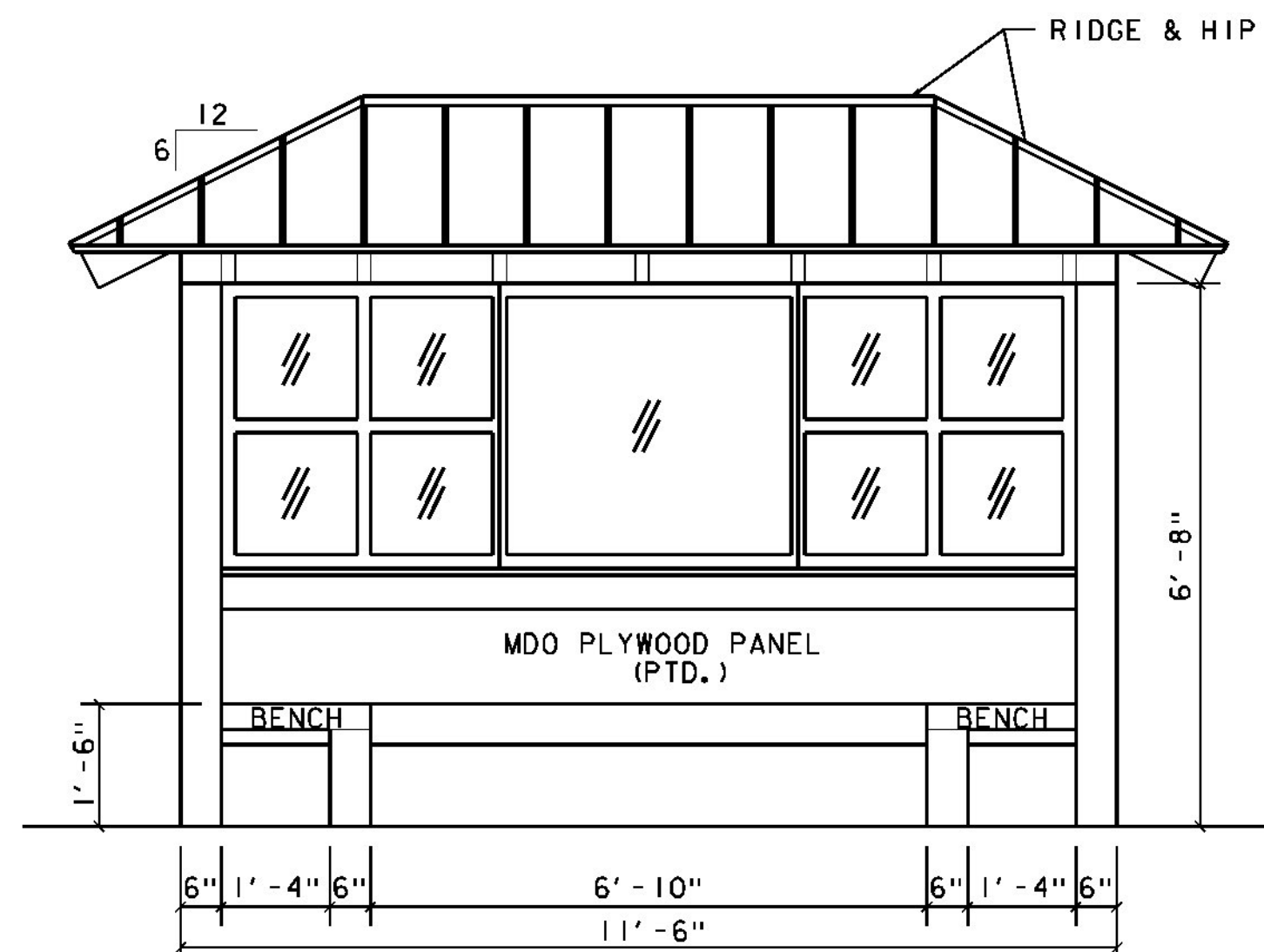
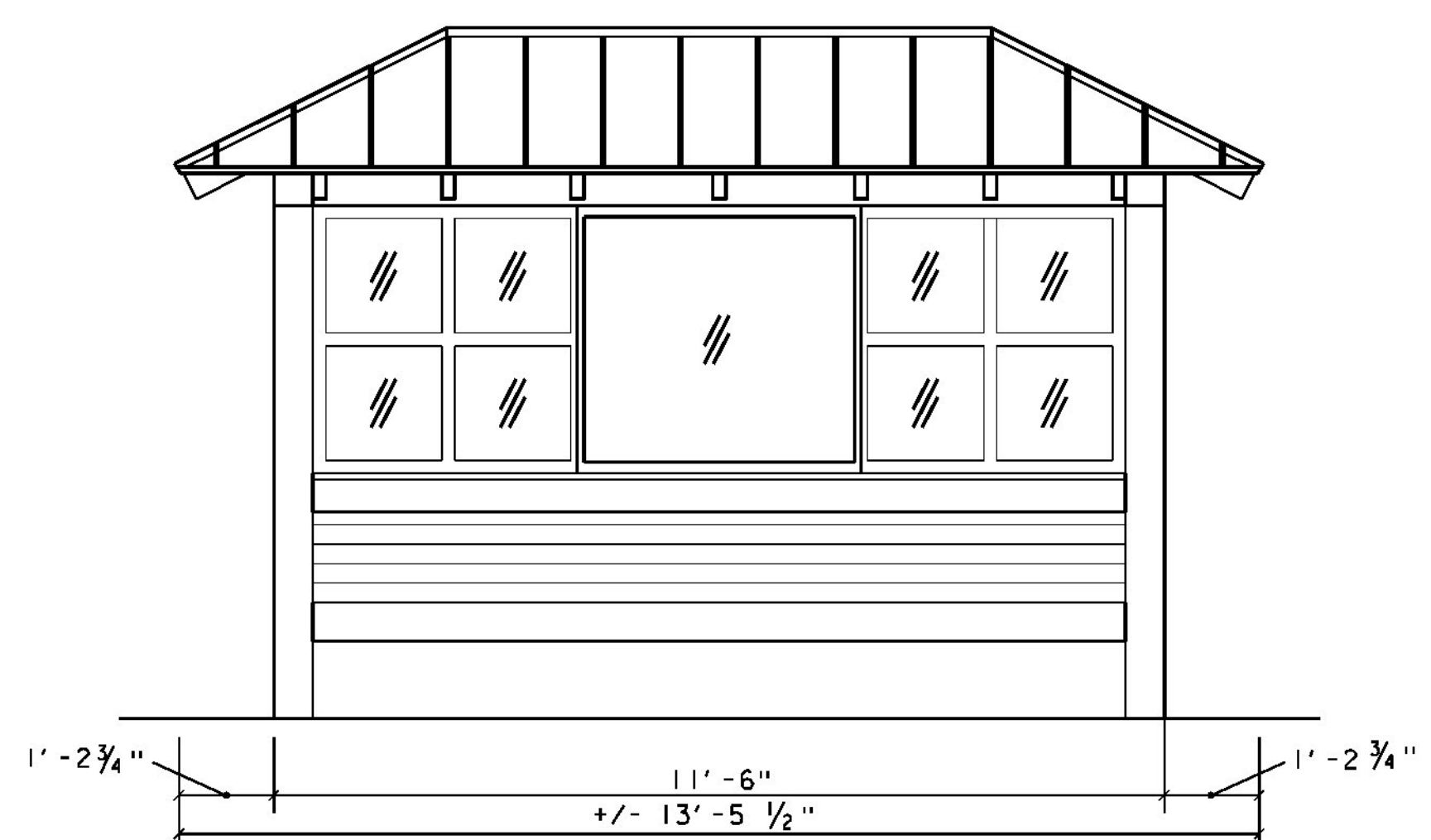


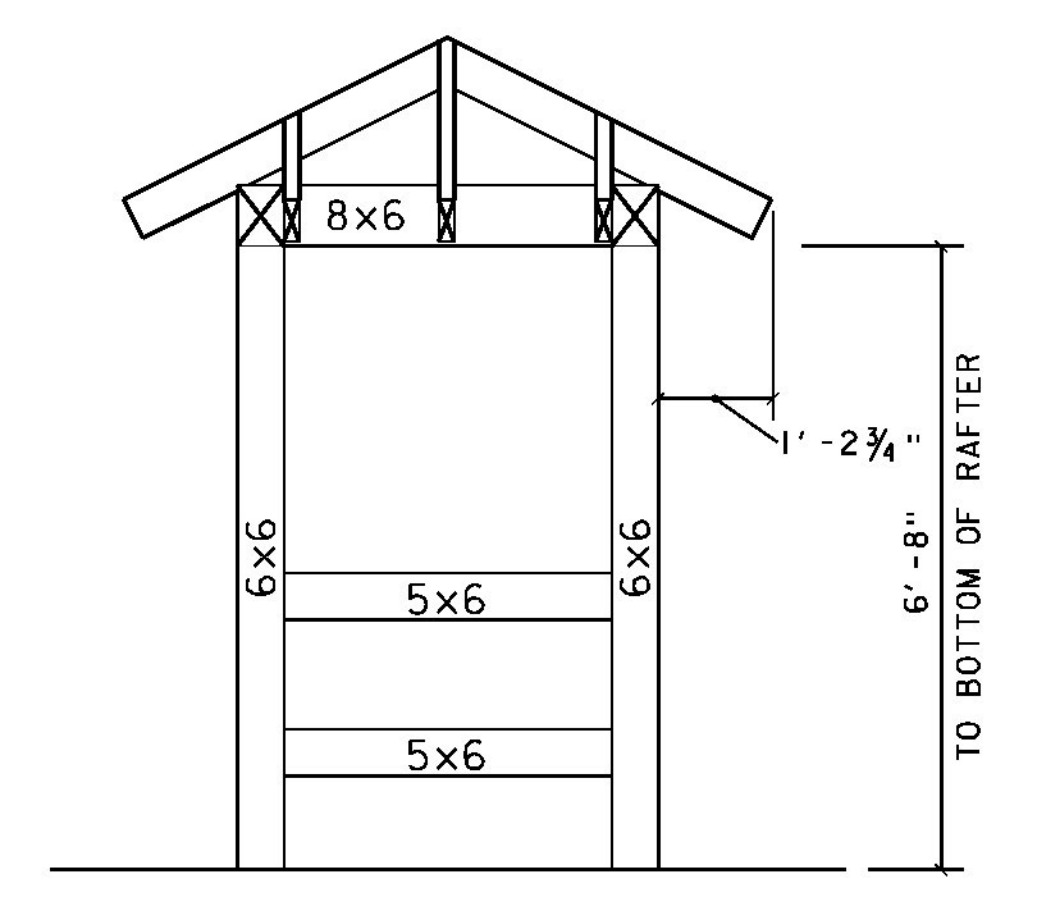
1 END ELEVATION (TYP.)
SCALE: 1/2" = 1'-0"



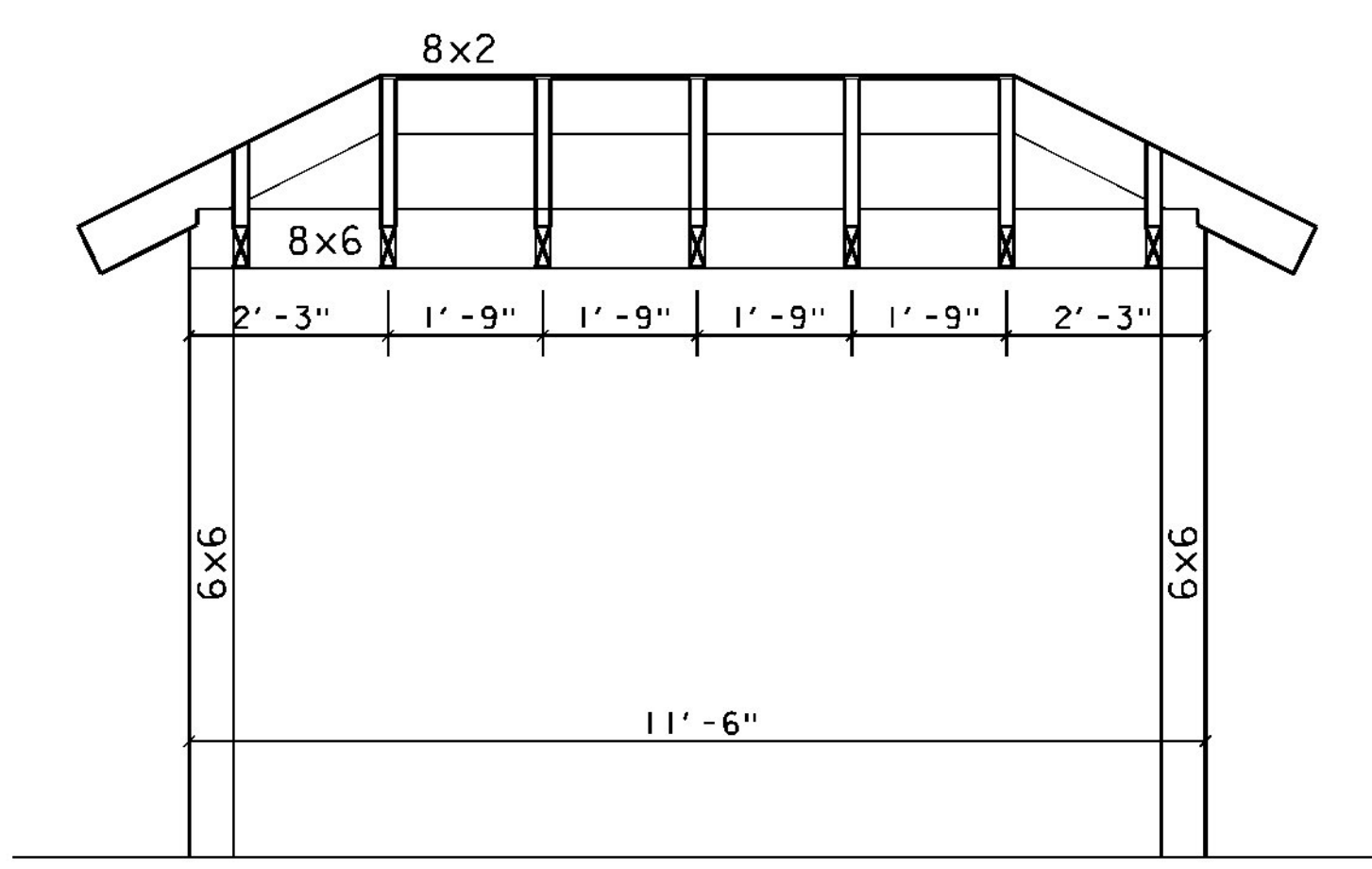
2 FRONT/INTERIOR ELEVATION
SCALE: 1/2" = 1'-0"



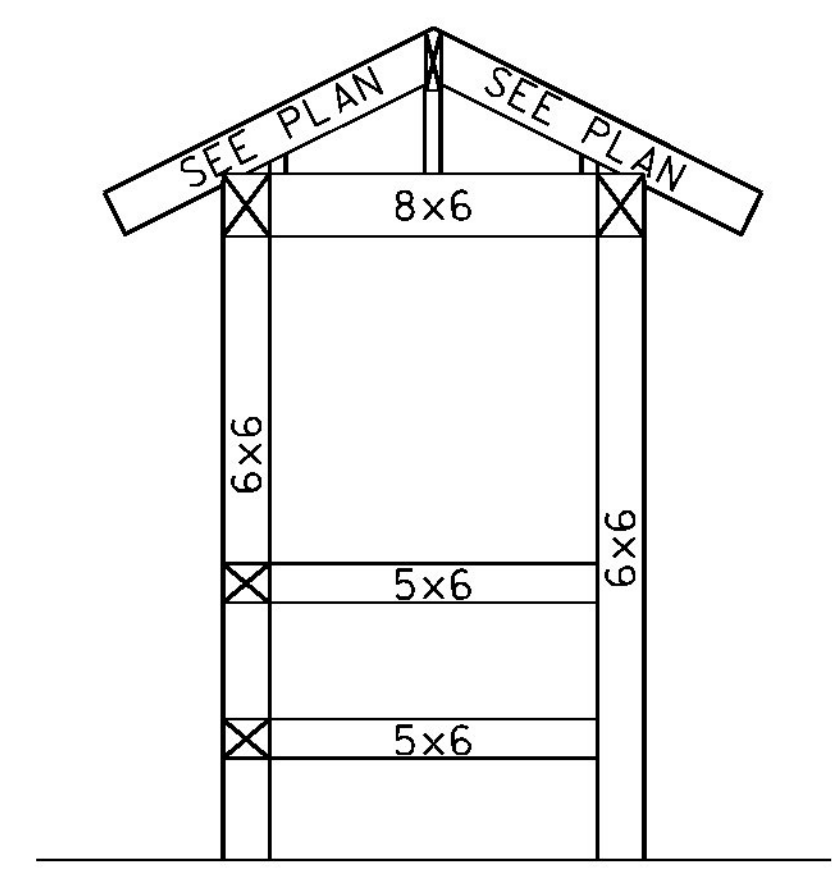
3 REAR ELEVATION
SCALE: 1/2" = 1'-0"



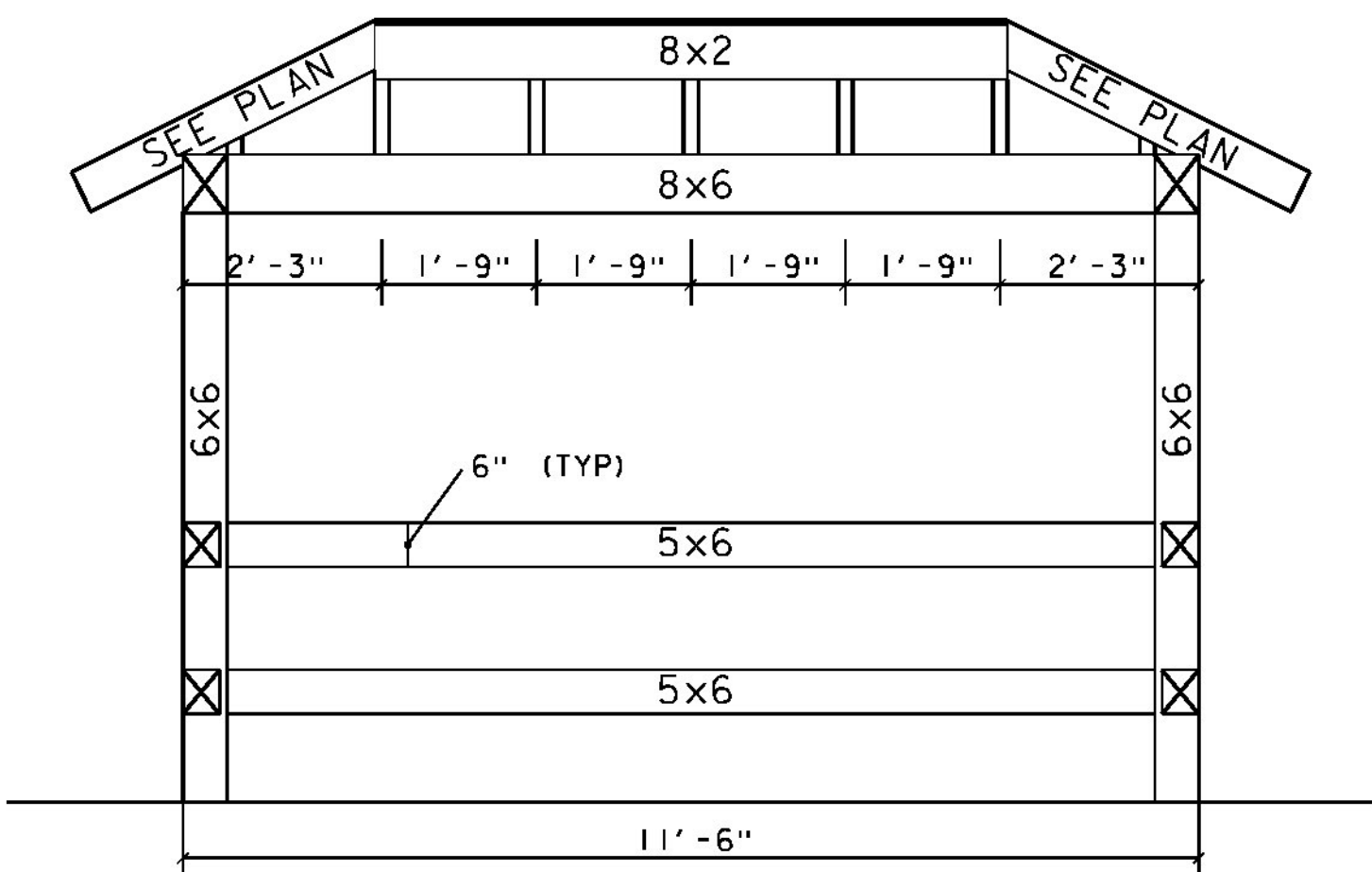
4 END FRAMING - ELEVATION
SCALE: 1/2" = 1'-0"



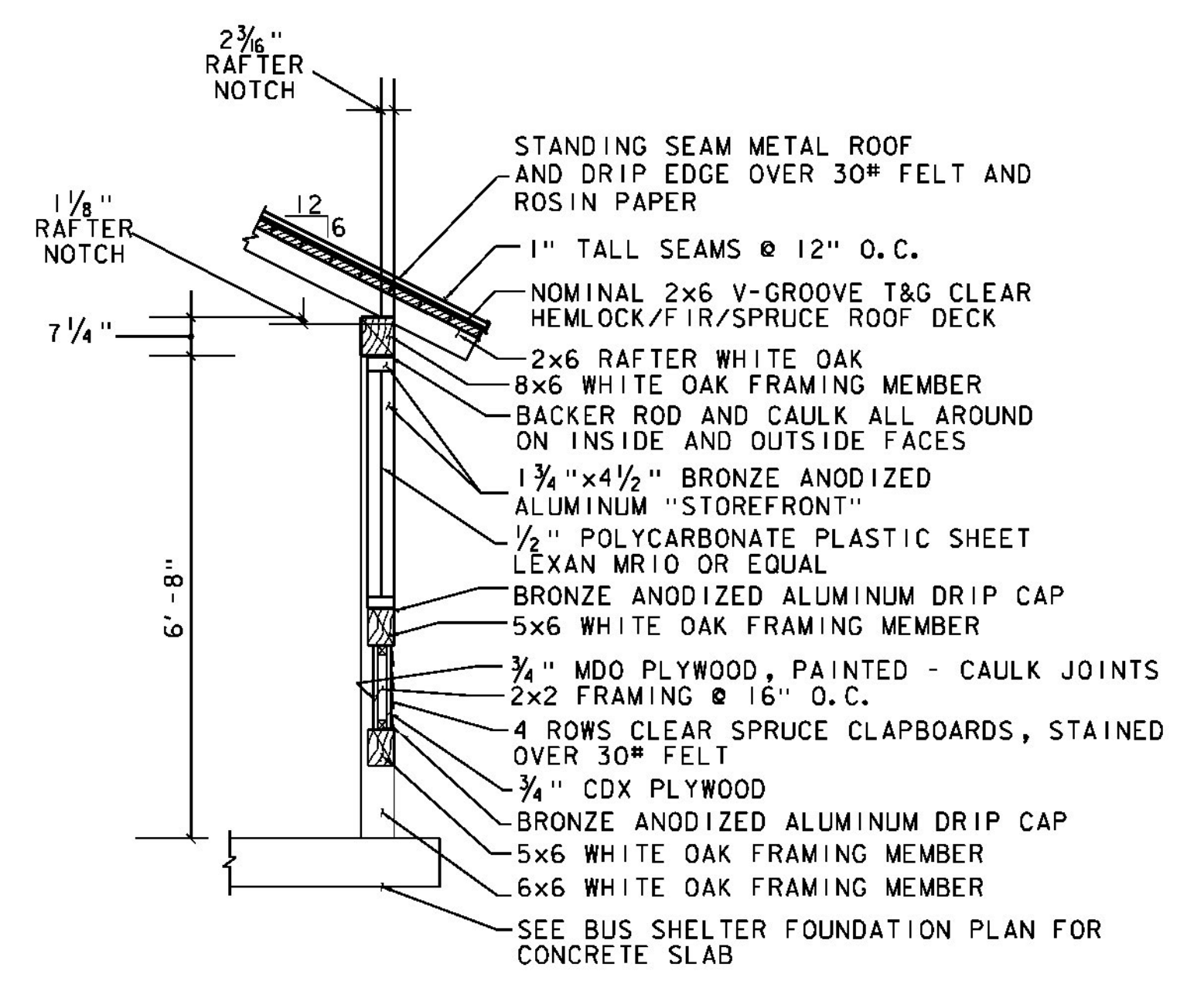
5 FRONT/REAR FRAMING - ELEVATION
SCALE: 1/2" = 1'-0"



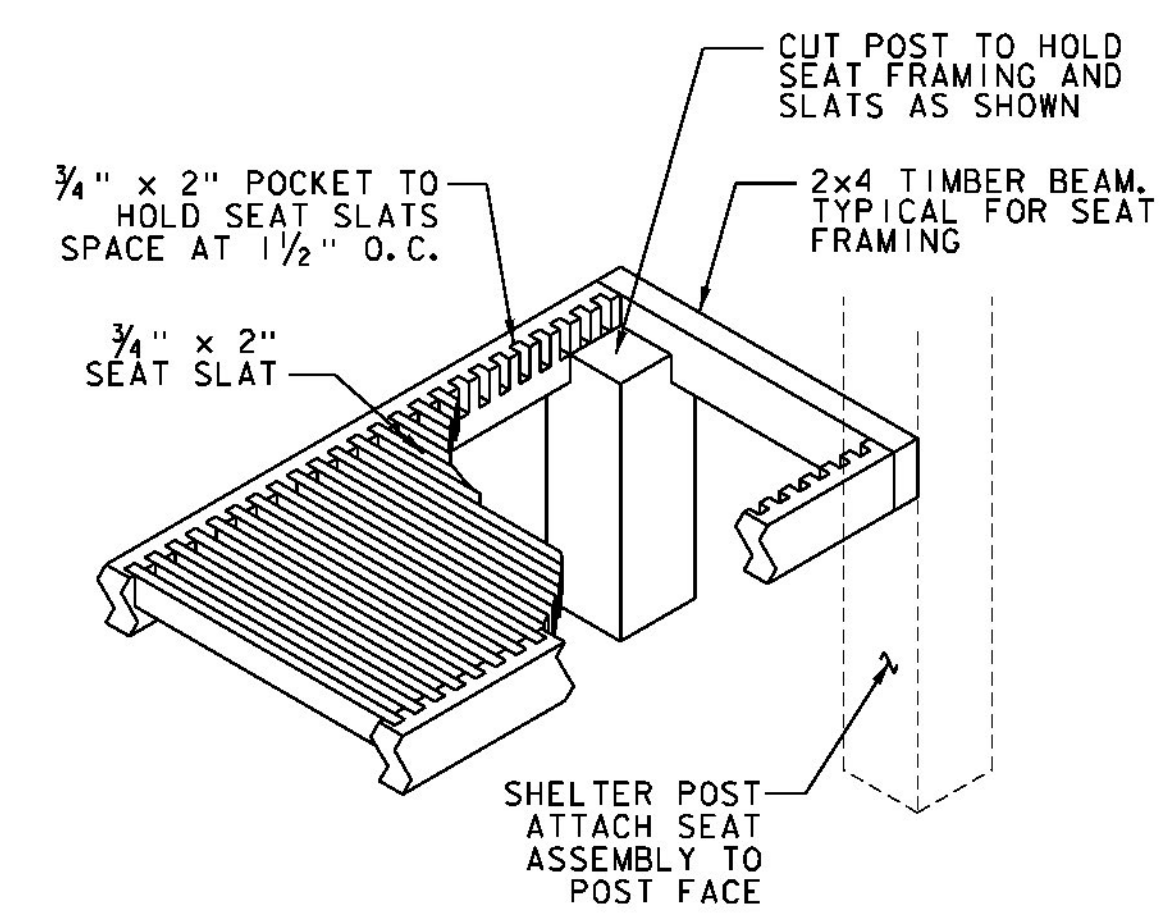
6 END FRAMING - SECTION
SCALE: 1/2" = 1'-0"



7 FRONT/REAR FRAMING - SECTION
SCALE: 1/2" = 1'-0"



8 TYPICAL WALL SECTION
SCALE: 1/2" = 1'-0"



9 DETAIL - BENCH FRAMING
NOT TO SCALE

- NOTES**
1. JACK AND COMMON RAFTERS ARE 2x6.
 2. HIP RAFTERS ARE 2x7
 3. RIDGE BEAM IS 2x8

PROJECT NAME:	RICHMOND
PROJECT NUMBER:	CMG PARK (31)
FILE NAME:	z97clB6shelter.dgn
PROJECT LEADER:	ERIK ATKINS
DESIGNED BY:	C. NORET
BUS SHELTER PLAN, DTLS & ELEVS SHEET	126 OF 133
PLOT DATE:	5/1/2013
DRAWN BY:	N. BOSAN
CHECKED BY:	G. BOTAZZI