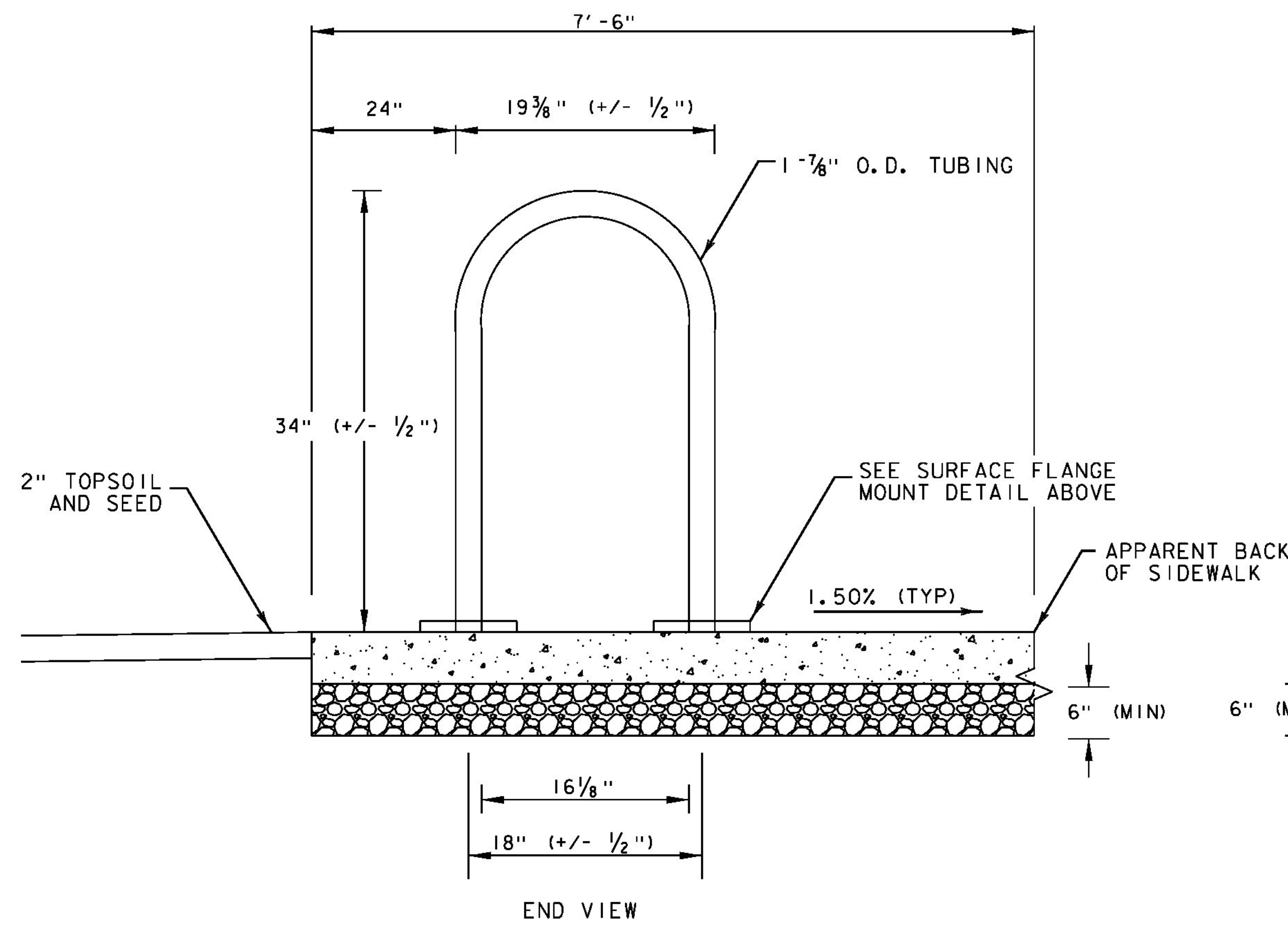


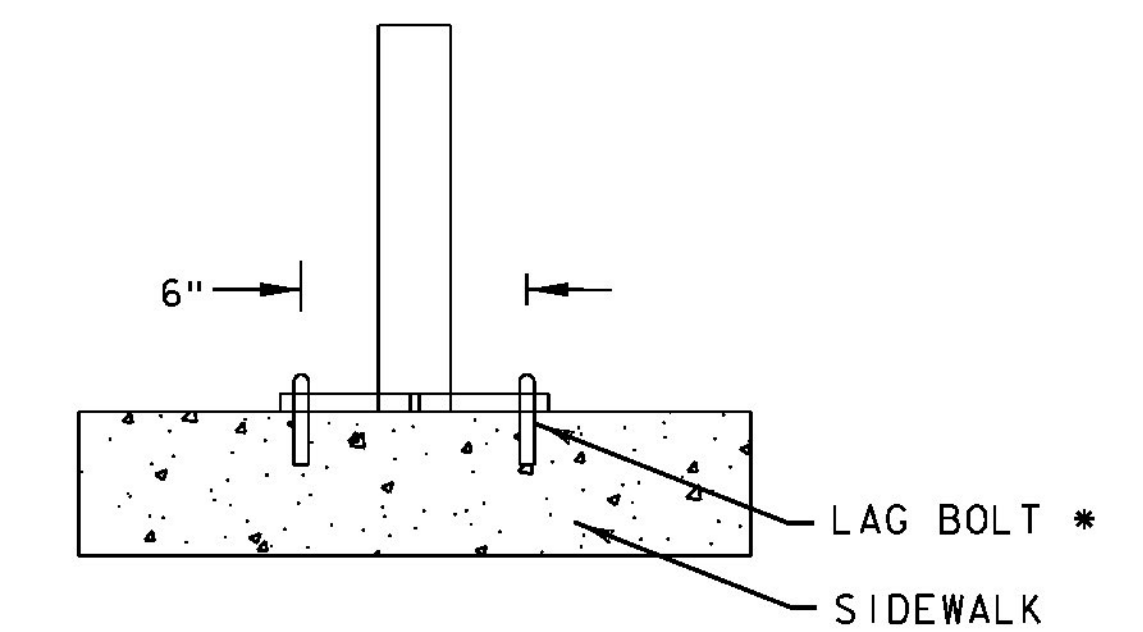
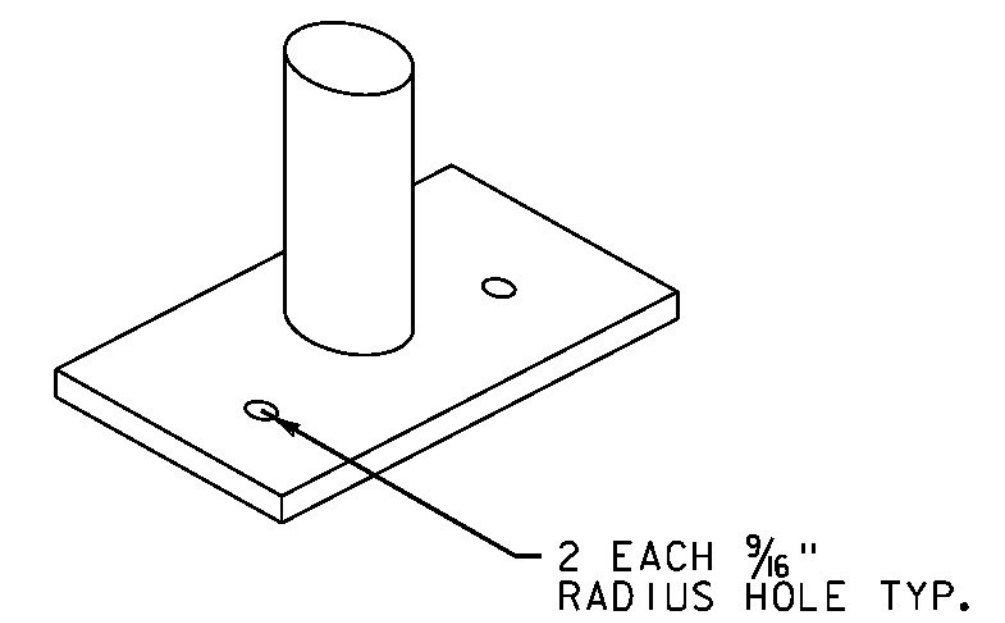
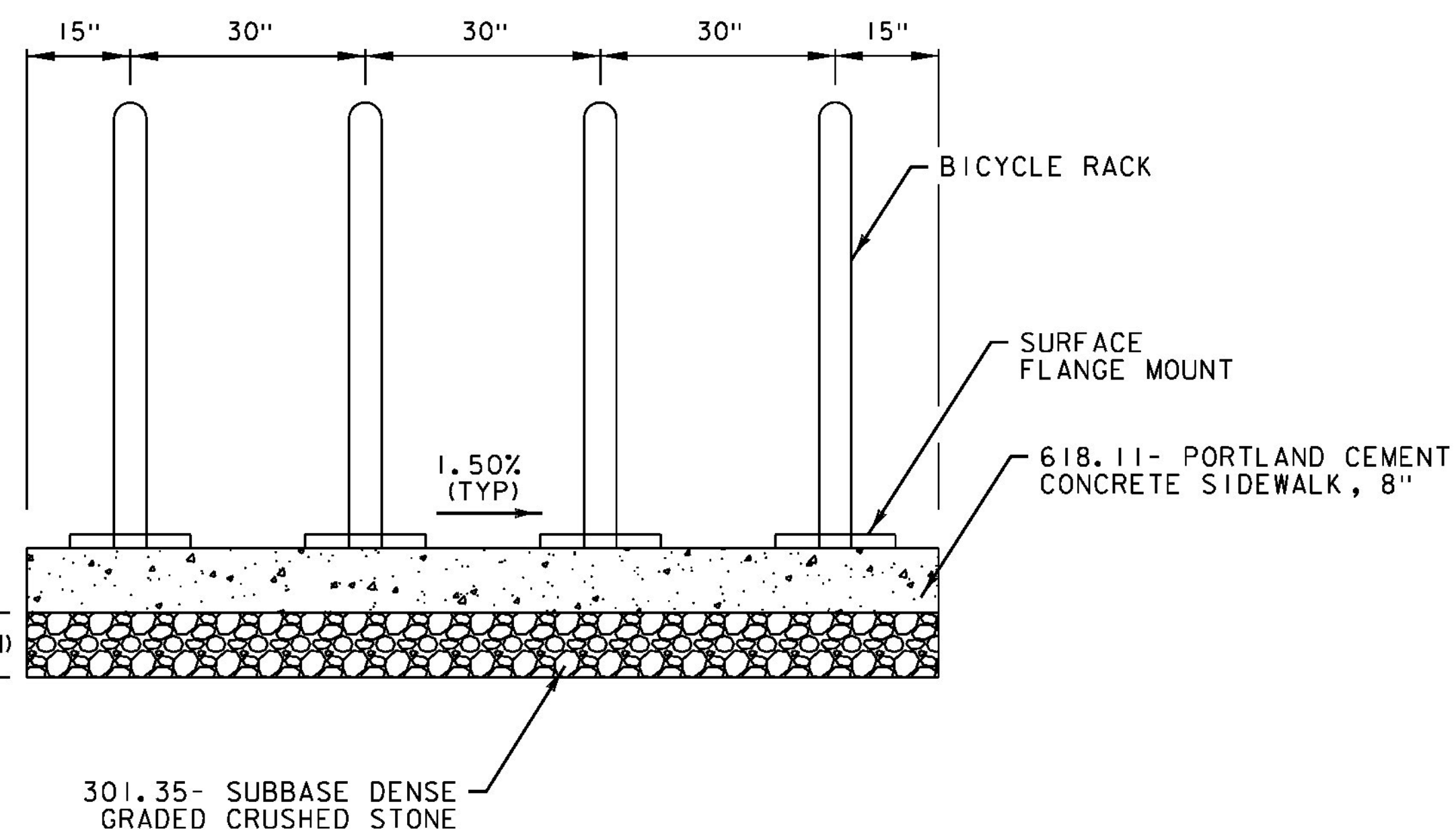
PARK AND RIDE DETAILS



SPECIAL PROVISION (BICYCLE RACK) DETAIL

NOT TO SCALE

NOTE: BICYCLE RACK, SURFACE FLANGE MOUNT, AND LAG BOLTS TO BE PAID UNDER 900.620 SPECIAL PROVISION (BICYCLE RACK).



* DIAMETER, LENGTH & MATERIAL PER MANUFACTURER'S RECOMMENDATIONS

SURFACE FLANGE MOUNT DETAIL

NOT TO SCALE

PROJECT NAME:	RICHMOND
PROJECT NUMBER:	CMG PARK (31)
FILE NAME:	z97c186drndet.dgn
PROJECT LEADER:	ERIK ATKINS
DESIGNED BY:	T. BIGELOW
PARK AND RIDE DETAILS SHEET 2	
PLOT DATE:	4/29/2013
DRAWN BY:	N. BOSAN
CHECKED BY:	E. ATKINS
SHEET	124 OF 133