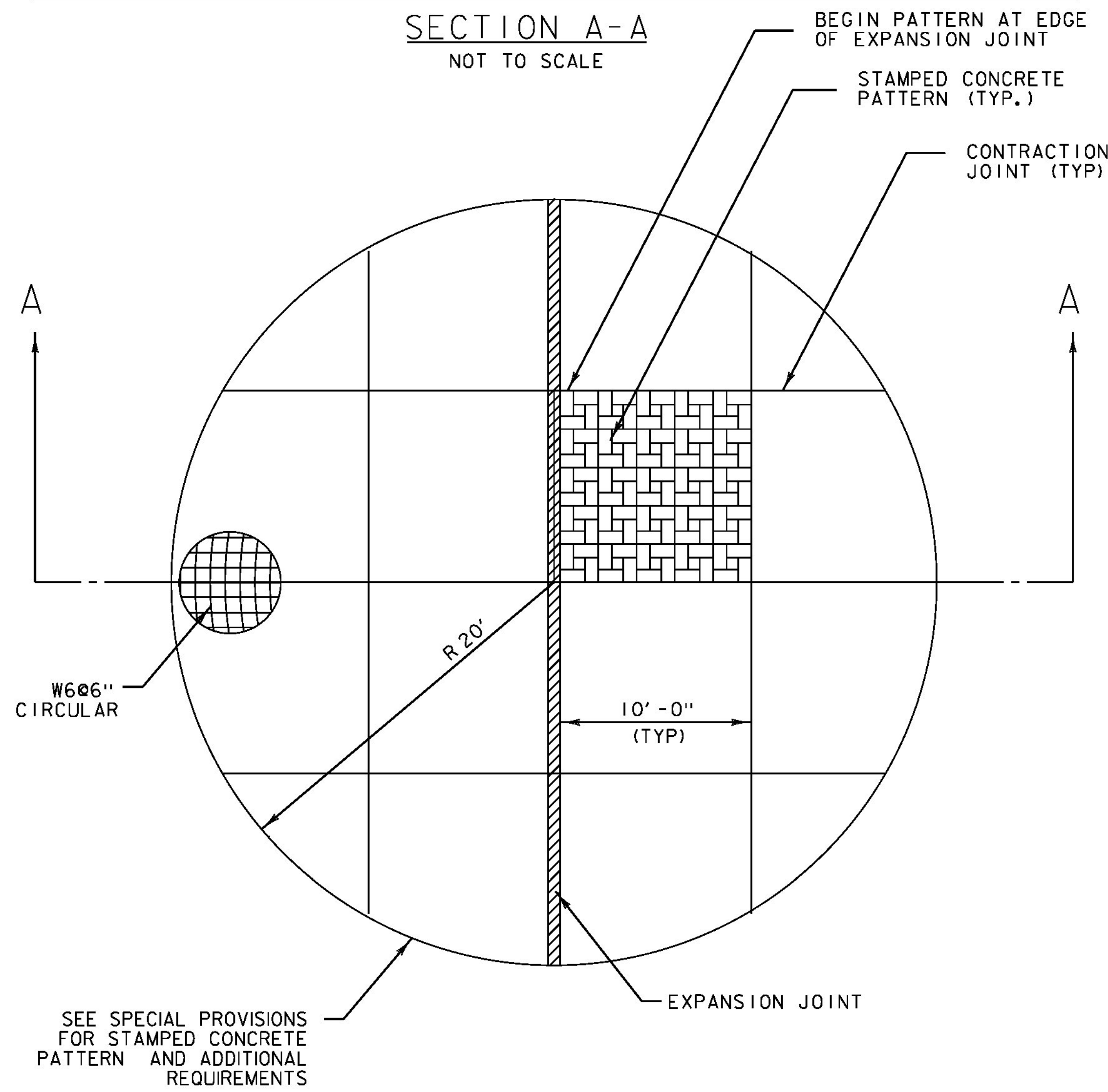
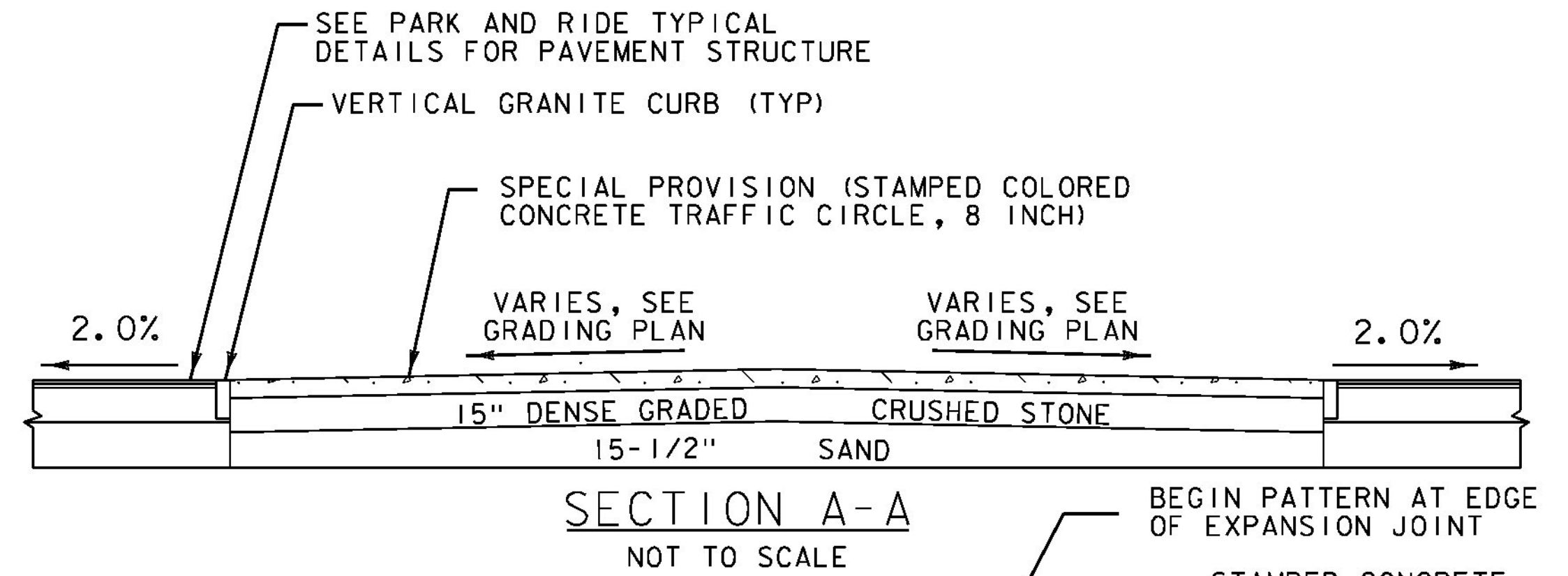


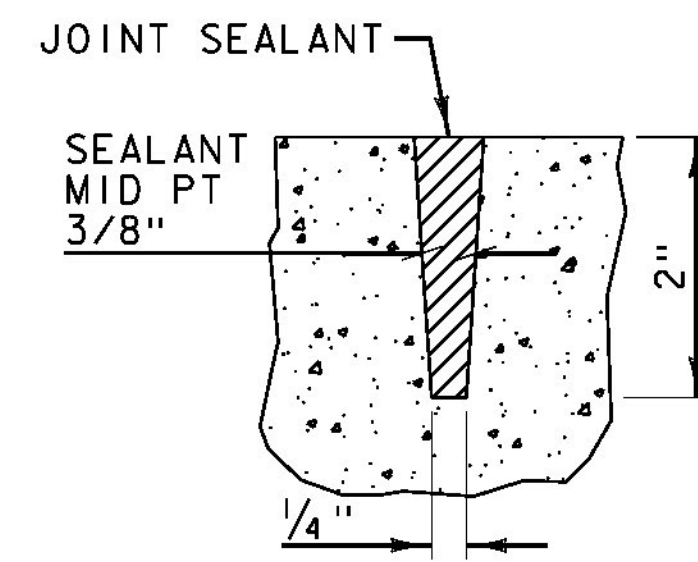
PARK AND RIDE DETAILS



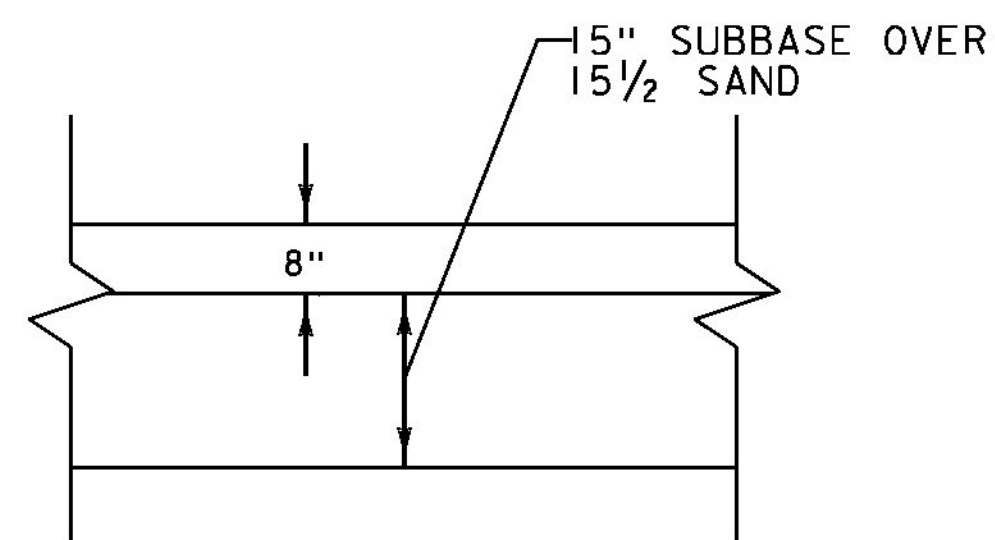
SPECIAL PROVISION (STAMPED COLORED CONCRETE TRAFFIC CIRCLE, 8 INCH)

NOT TO SCALE

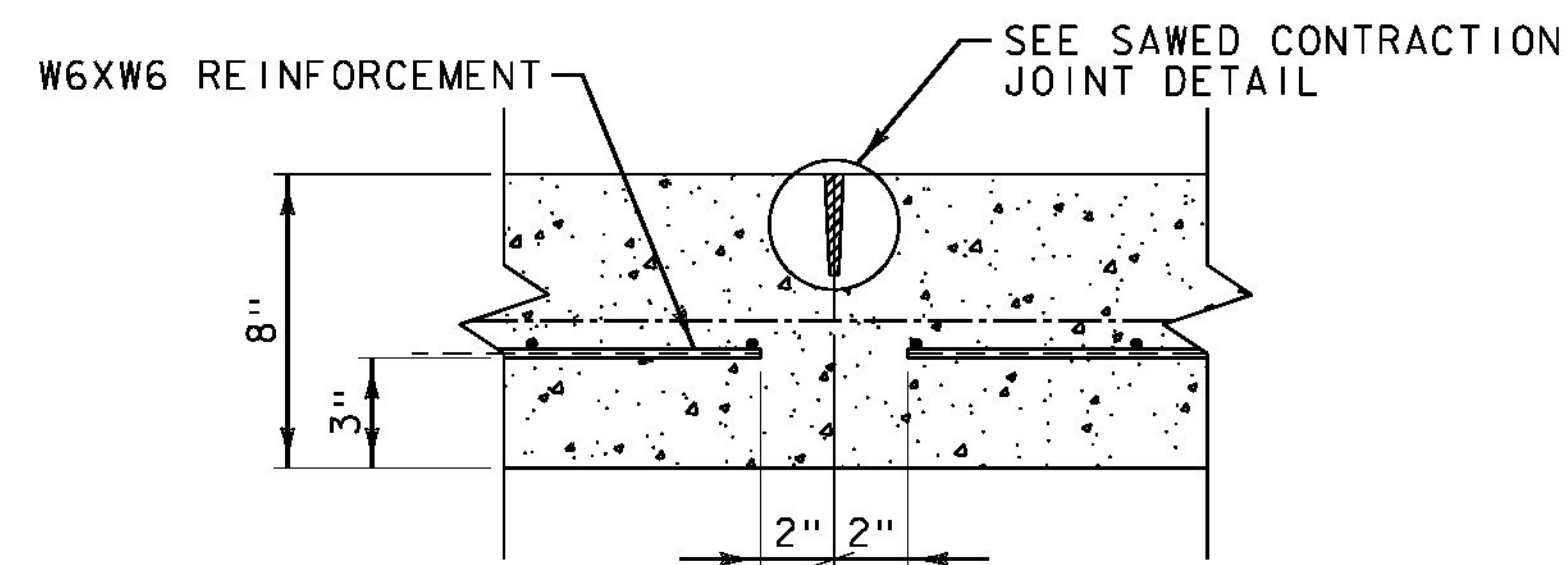
NOTE: JOINTS OTHER THAN THOSE SHOWN SHALL NOT BE ALLOWED WITHOUT ENGINEER'S APPROVAL.



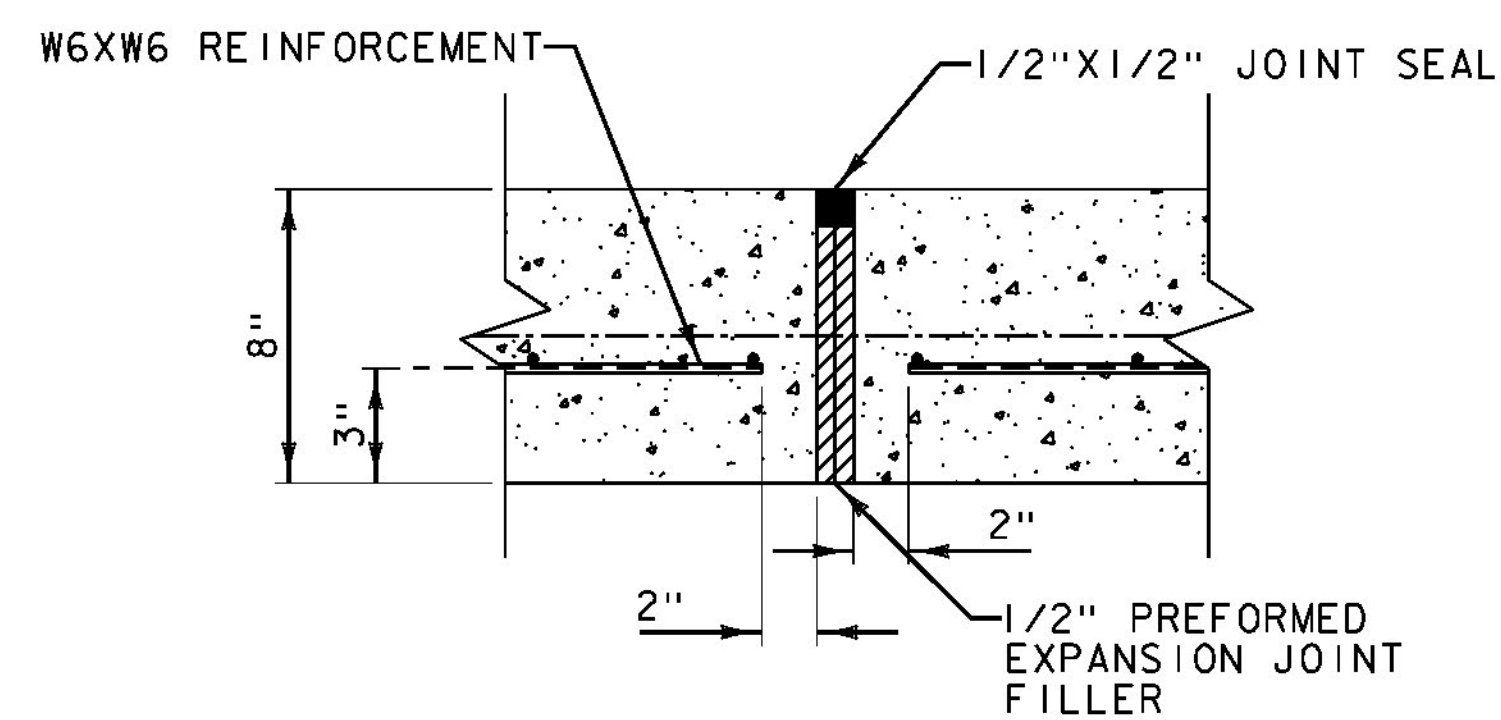
SAWED CONTRACTION JOINT DETAIL
NOT TO SCALE



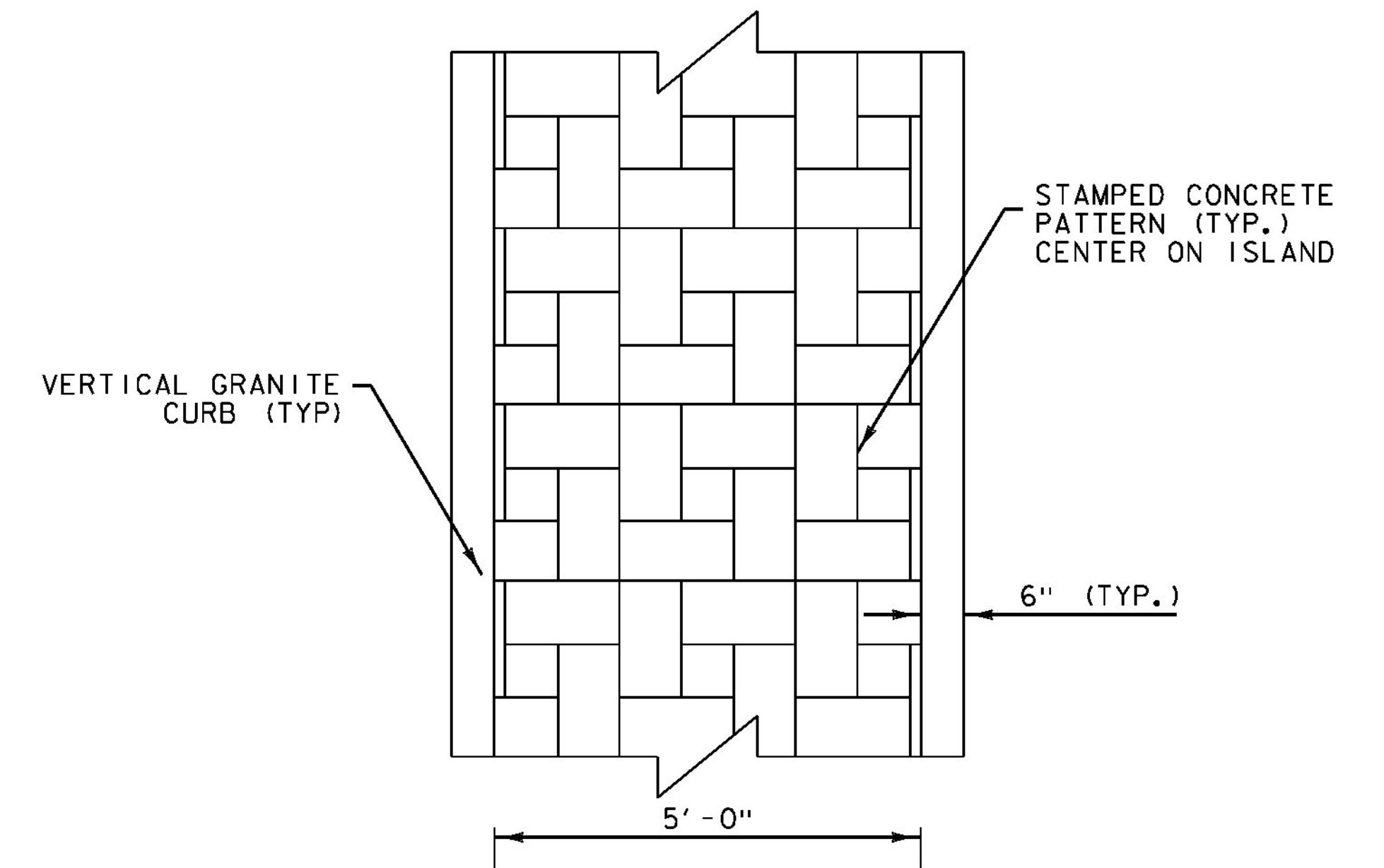
TYPICAL SECTION THRU TRAFFIC CIRCLE
NOT TO SCALE



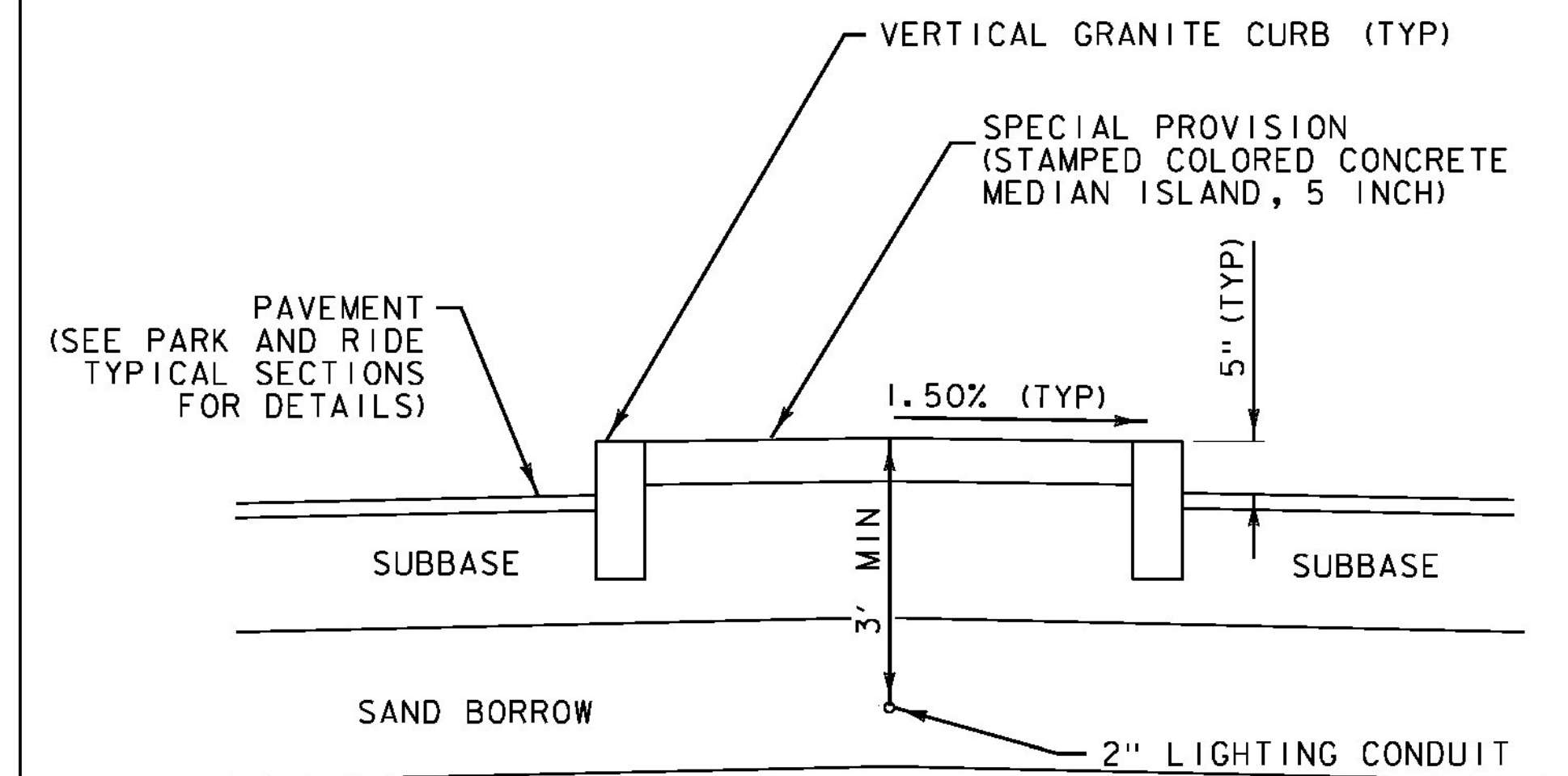
TYPICAL SECTION THRU CONTRACTION JOINT
NOT TO SCALE



TYPICAL SECTION THRU EXPANSION JOINT
NOT TO SCALE



PLAN VIEW
NOT TO SCALE



SPECIAL PROVISION (STAMPED COLORED CONCRETE MEDIAN ISLAND, 5 INCH)
(STA 73+16.66 - 75+09.84 AND STA 73+81.66 - 75+59.46)
NOT TO SCALE

PROJECT NAME: RICHMOND
PROJECT NUMBER: CMG PARK (31)

FILE NAME: z97ci86drndet.dgn PLOT DATE: 4/29/2013
PROJECT LEADER: ERIK ATKINS DRAWN BY: N. BOSAN
DESIGNED BY: T. BIGELOW CHECKED BY: E. ATKINS
PARK AND RIDE DETAILS SHEET 1 SHEET 123 OF 133