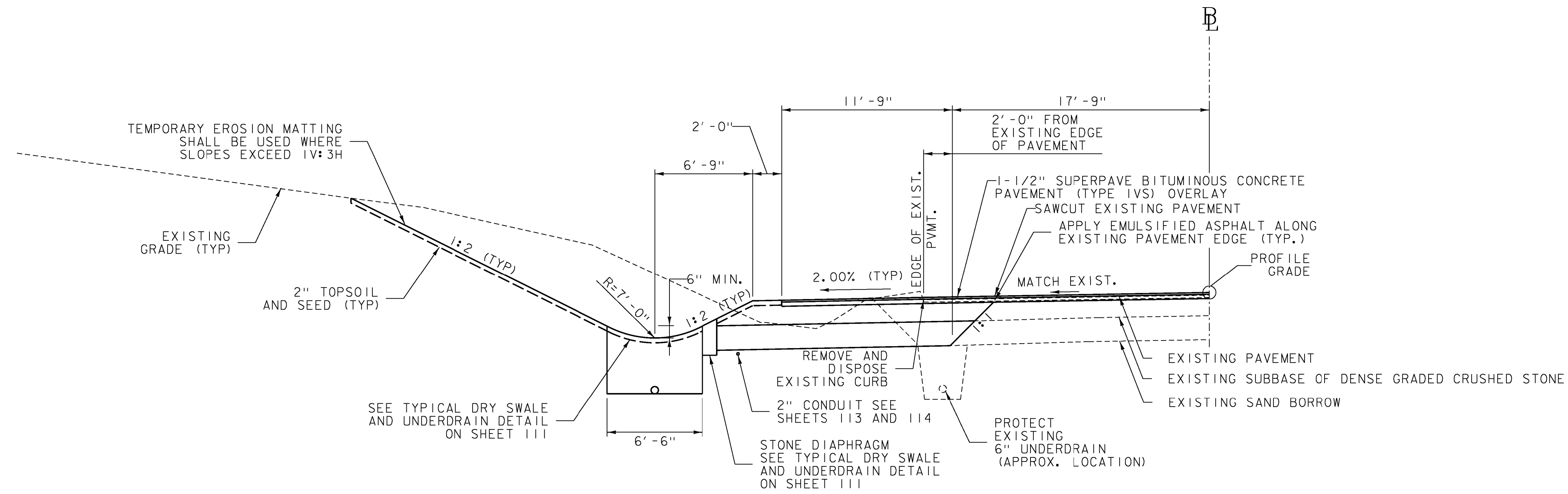
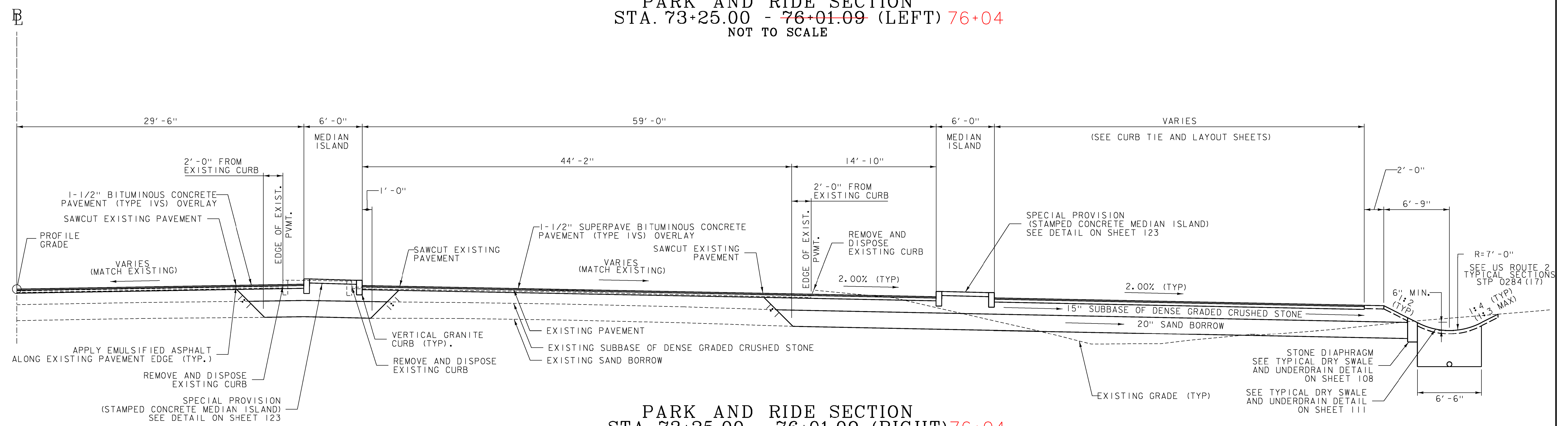


TYPICAL SECTIONS



PARK AND RIDE SECTION
 STA. 73+25.00 - ~~76+01.09~~ (LEFT) 76+04
 NOT TO SCALE



PARK AND RIDE SECTION
 STA. 73+25.00 - ~~76+01.09~~ (RIGHT) 76+04
 NOT TO SCALE

PROJECT NAME: RICHMOND	
PROJECT NUMBER: CMG PARK (3I)	
FILE NAME: z97cl86+yp.dgn	PLOT DATE: 4/29/2013
PROJECT LEADER: ERIK ATKINS	DRAWN BY: S. FORTIER
DESIGNED BY: T. BIGELOW	CHECKED BY: E. ATKINS
PARK AND RIDE TYPICAL SECTIONS SHEET 3 SHEET 97 OF 133	