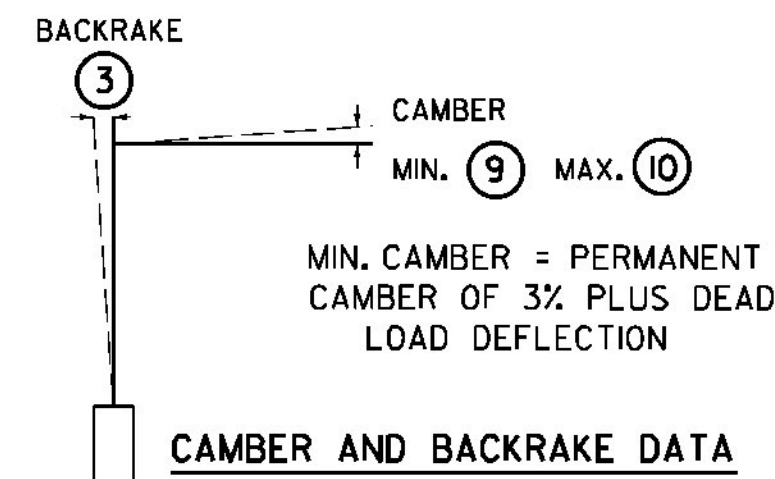
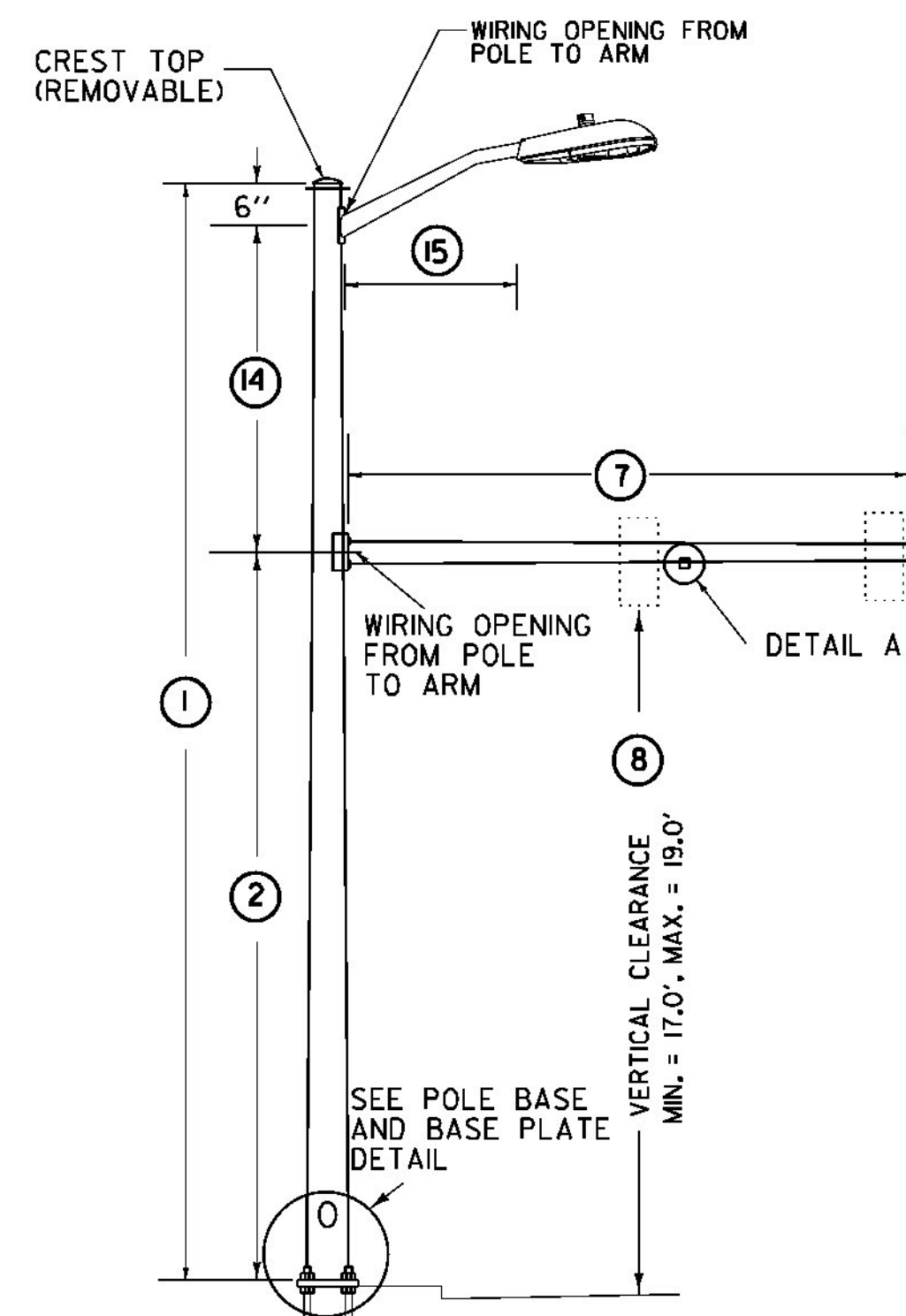


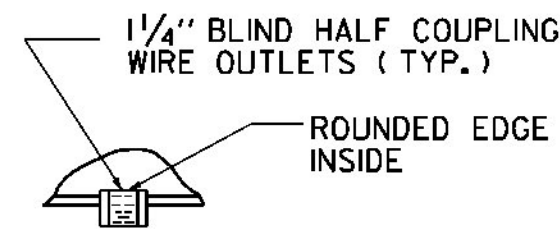
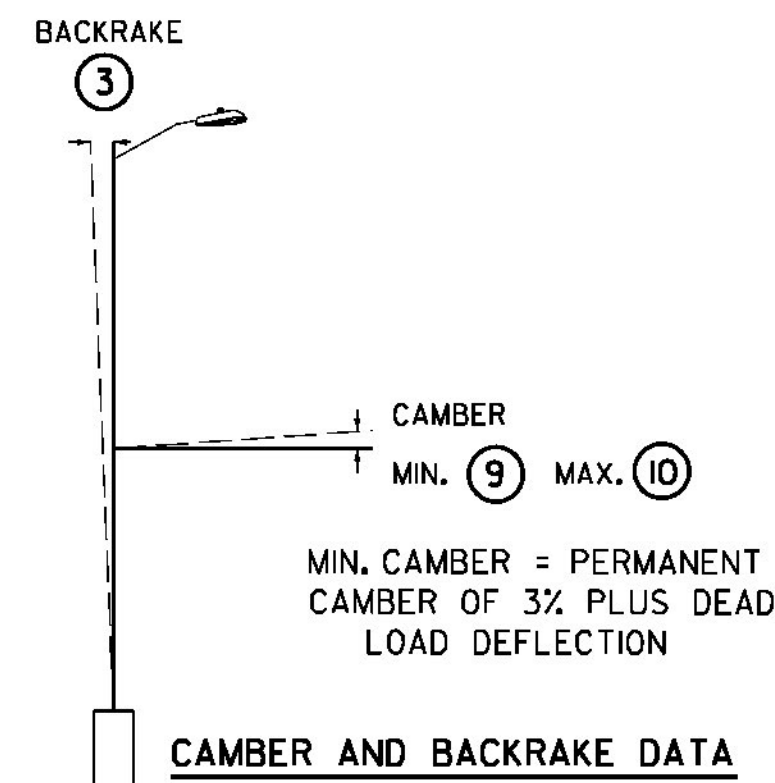
**TYPE A**



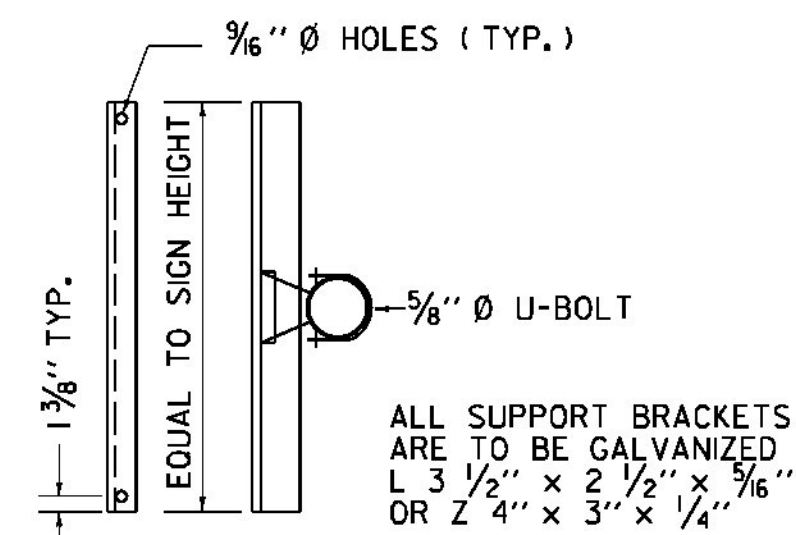
- POLE BASE DIAMETER (4)
- POLE GAUGE (5)
- POLE TAPER RATE (6)
- ARM DIAMETER (11)
- ARM GAUGE (12)
- ARM TAPER RATE (13)
- LUMINAIRE MOUNTING HEIGHT ABOVE ROADWAY (16)



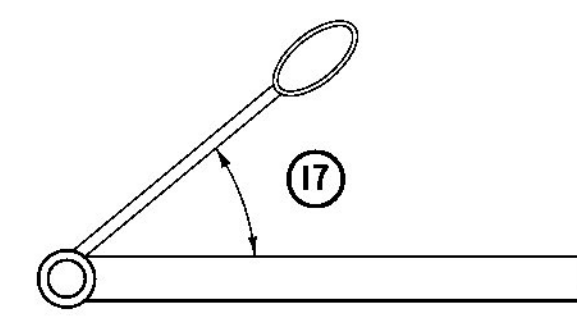
**TYPE B**



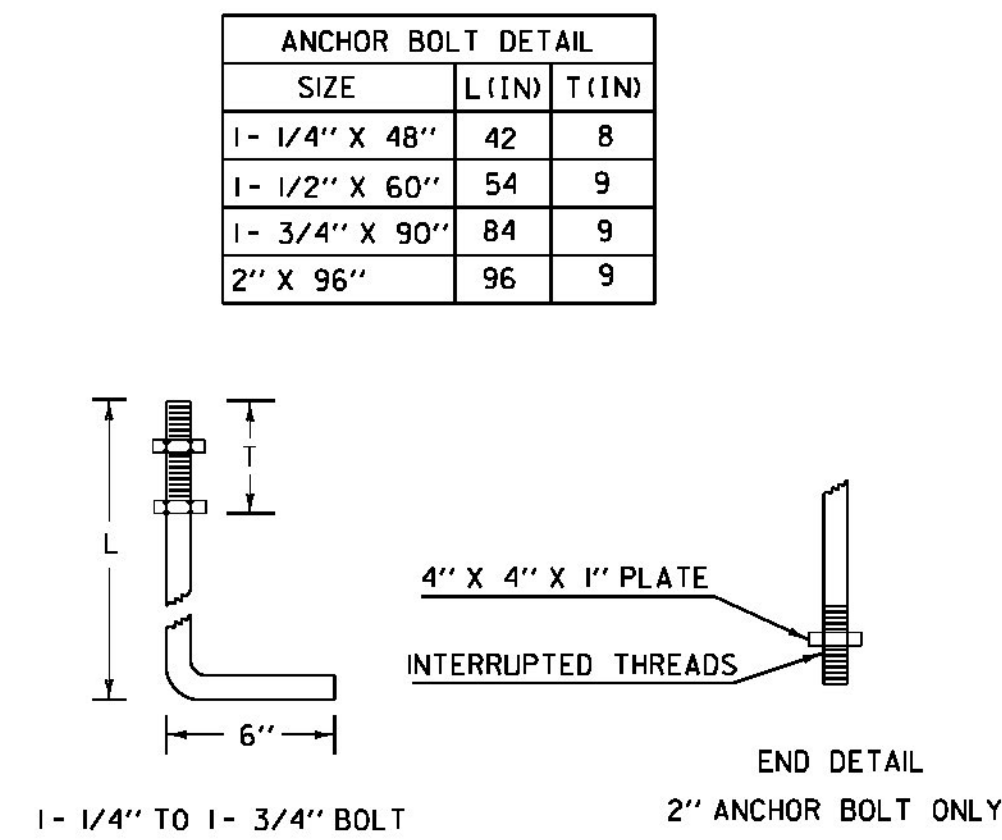
**DETAIL A**



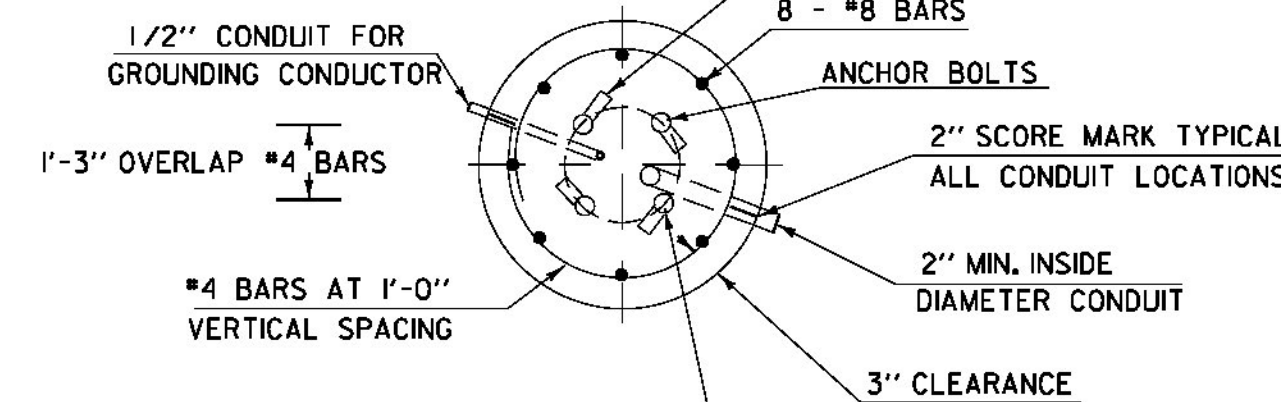
**SIGN BRACKET DETAILS**



**LUMINAIRE ORIENTATION**

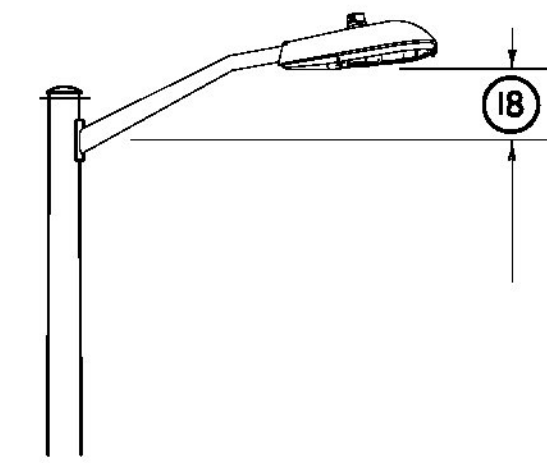


**ANCHOR BOLT DETAIL**

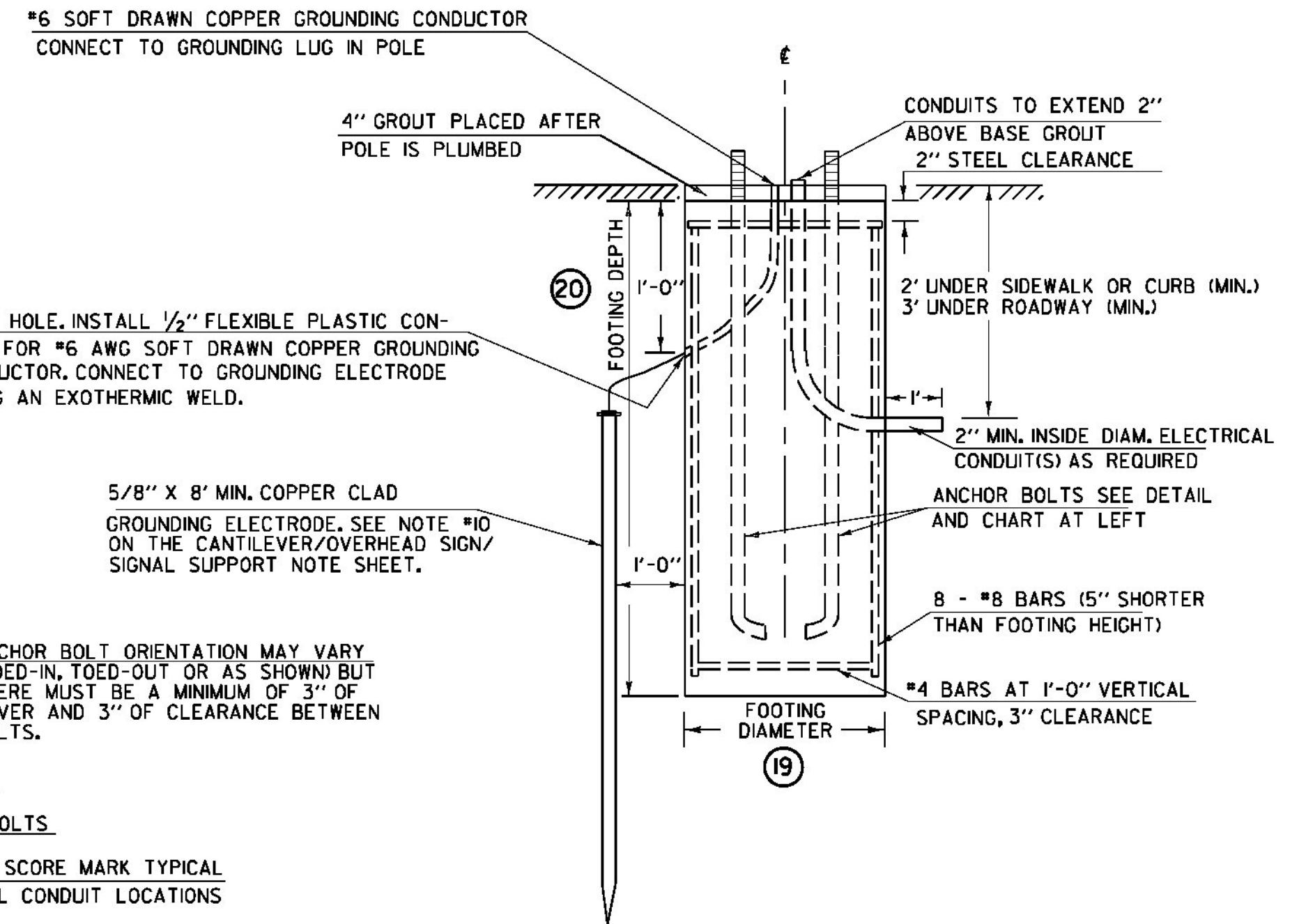


**CANTILEVER FOOTING DETAIL**

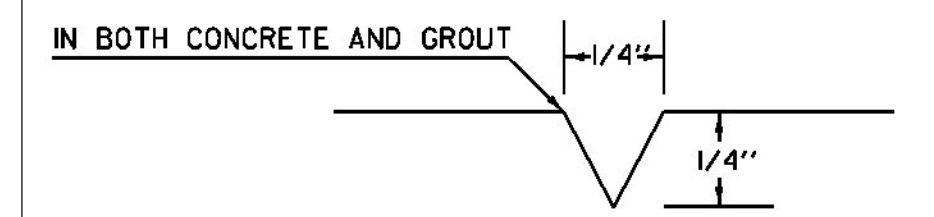
**NOTE:** BORINGS FOR THE MAST ARMS WERE PERFORMED ON THE SAME DAY IN FEBRUARY 2012. SUFFICIENT TIME WAS NOT GIVEN TO ALLOW FOR STABILIZATION OF THE GROUNDWATER TABLE. THE MAST ARM FOUNDATION DESIGN SHALL ASSUME GROUNDWATER IS AT THE GROUND SURFACE. REFER TO THE GEOTECHNICAL OFFICE MEMORANDUM DATED FEBRUARY 29TH 2012 AND THE ADDENDUM DATED FEBRUARY 7TH 2013 FOR ADDITIONAL REQUIREMENTS.



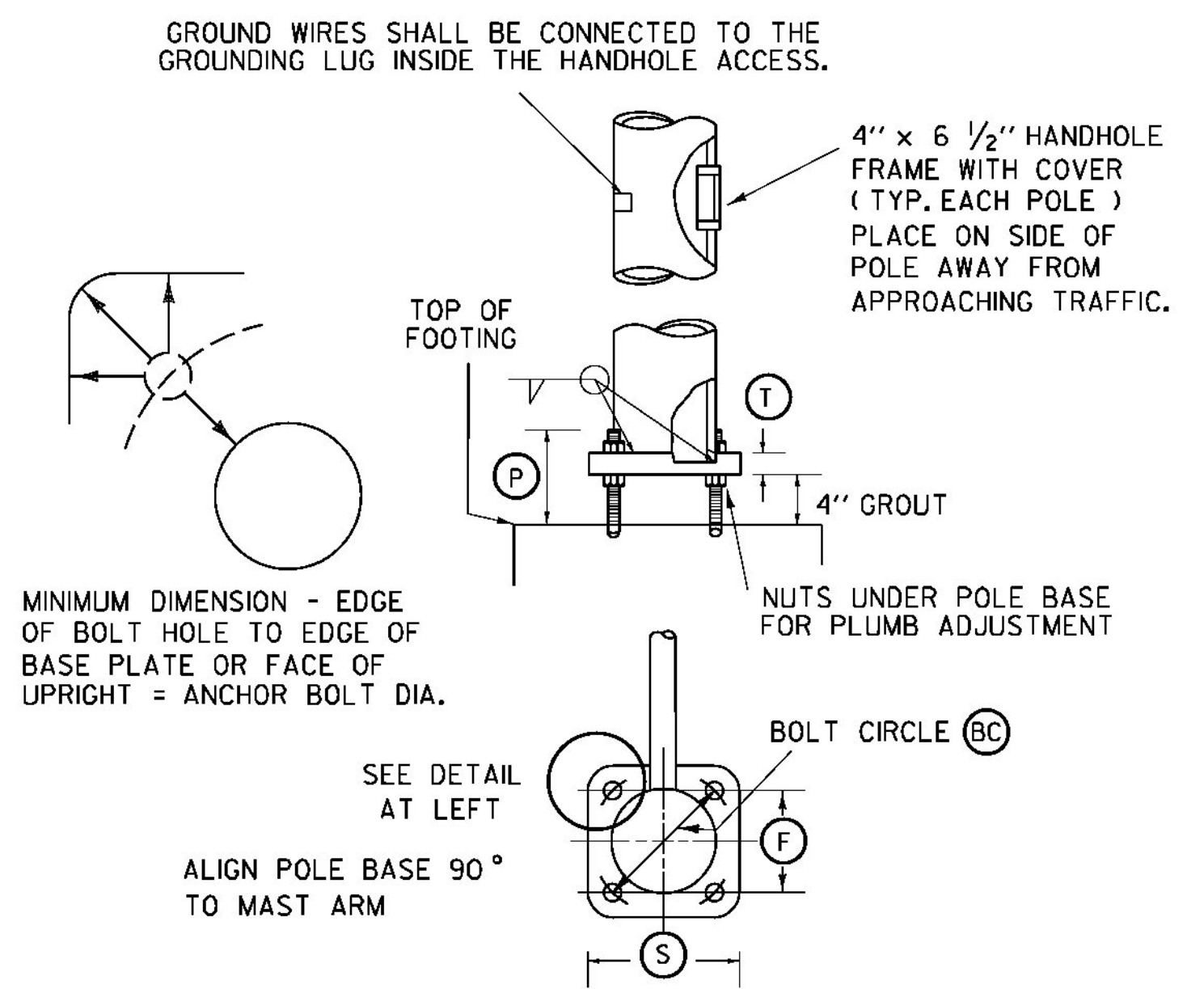
**LUMINAIRE ARM RISE**



**ELEVATION**



**2" SCORE MARK DETAIL**



**POLE BASE AND BASE PLATE DETAIL**

**SEE TRAFFIC SIGNAL DETAIL SHEETS 2 AND 3 FOR CROSS SECTIONS**

POLE	TYPE	POLE DATA										ARM DATA						LIGHTING DATA						FOOTING DATA		BASE PLATE / BOLT DATA					
		1	2	3	4	5	6	7	8	9	10	11	12	13	14	15	16	17	18	19	20	6C	F	S	T	P	ANCHOR BOLT SIZE				
MPIA	A	20'	18'	TBDM	TBDM	TBDM	TBDM	15'	17'	3%	5%	TBDM	TBDM	TBDM	N/A	N/A	N/A	N/A	N/A	TBDM	TBDM	TBDM	TBDM	TBDM	TBDM	TBDM	TBDM				
MPIB	A	20'	18'	TBDM	TBDM	TBDM	TBDM	15'	17'	3%	5%	TBDM	TBDM	TBDM	N/A	N/A	N/A	N/A	N/A	TBDM	TBDM	TBDM	TBDM	TBDM	TBDM	TBDM	TBDM				
MPIC	A	20'	18'	TBDM	TBDM	TBDM	TBDM	15'	17'	3%	5%	TBDM	TBDM	TBDM	N/A	N/A	N/A	N/A	N/A	TBDM	TBDM	TBDM	TBDM	TBDM	TBDM	TBDM	TBDM				
MP2A	B	28'-6"	18'	TBDM	TBDM	TBDM	TBDM	20'	17'	3%	5%	TBDM	TBDM	TBDM	10'	TBDM	TBDM	TBDM	TBDM	TBDM	TBDM	TBDM	TBDM	TBDM	TBDM	TBDM	TBDM				
MP2B	B	28'-6"	18'	TBDM	TBDM	TBDM	TBDM	20'	17'	3%	5%	TBDM	TBDM	TBDM	10'	TBDM	TBDM	TBDM	TBDM	TBDM	TBDM	TBDM	TBDM	TBDM	TBDM	TBDM	TBDM				
MP2C	B	28'-6"	18'	TBDM	TBDM	TBDM	TBDM	25'	17'	3%	5%	TBDM	TBDM	TBDM	10'	TBDM	TBDM	TBDM	TBDM	TBDM	TBDM	TBDM	TBDM	TBDM	TBDM	TBDM	TBDM				
MP2D	B	28'-6"	18'	TBDM	TBDM	TBDM	TBDM	30'	17'	3%	5%	TBDM	TBDM	TBDM	10'	TBDM	TBDM	TBDM	TBDM	TBDM	TBDM	TBDM	TBDM	TBDM	TBDM	TBDM	TBDM				

TBDM = TO BE DETERMINED BY MANUFACTURER

NOTE: DETAILS NOT TO SCALE

PROJECT NAME: RICHMOND  
PROJECT NUMBER: STP 0284 (17)

FILE NAME: z97ci86trfbd2.dgn  
PROJECT LEADER: JEFFREY MAXTUTIS  
DESIGNED BY: J. SOBEL  
SIGNAL MAST ARM DETAIL SHEET

PLOT DATE: 4/29/2013  
DRAWN BY: Y.CAO/LALMY  
CHECKED BY: D.FLYNN  
SHEET 74 OF 133