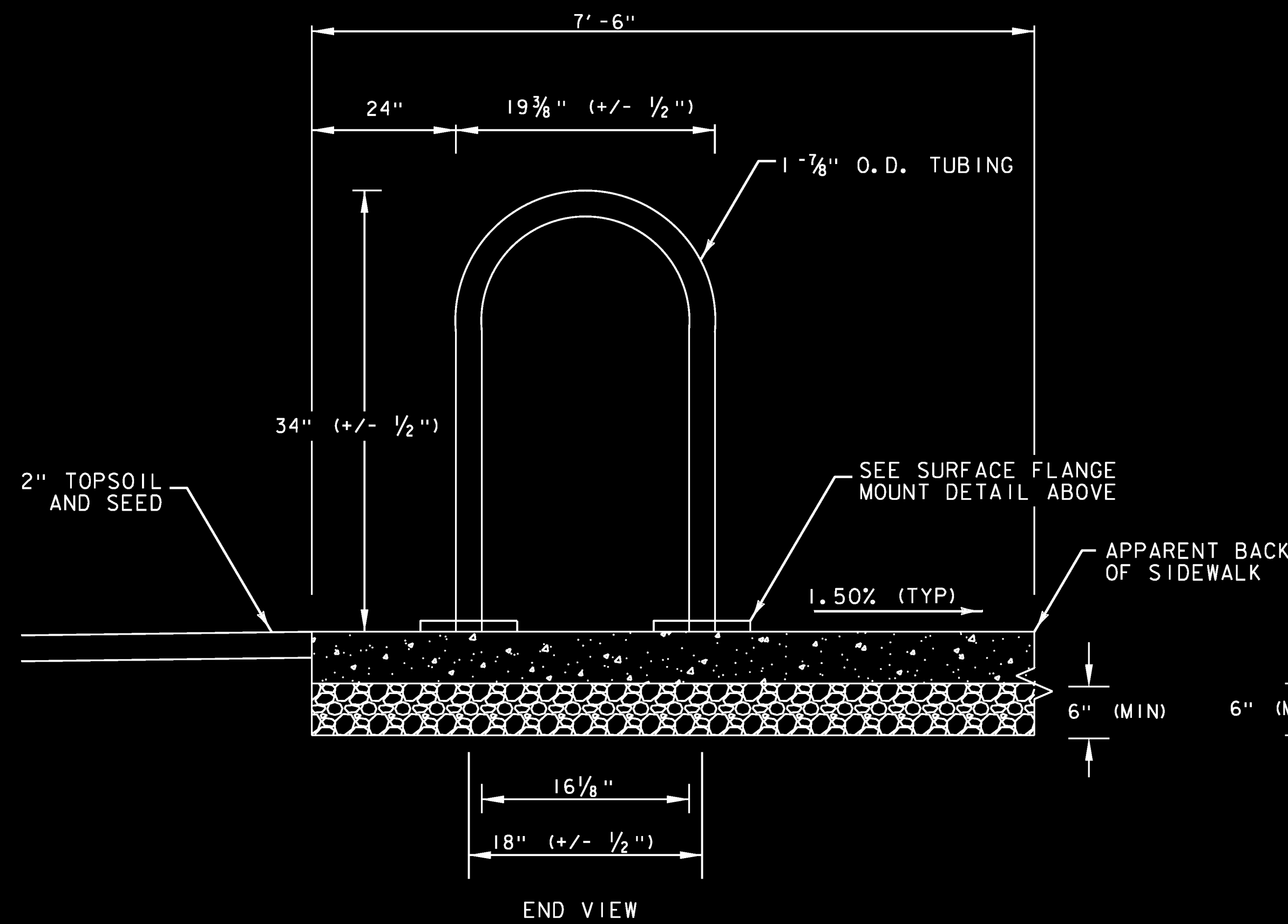
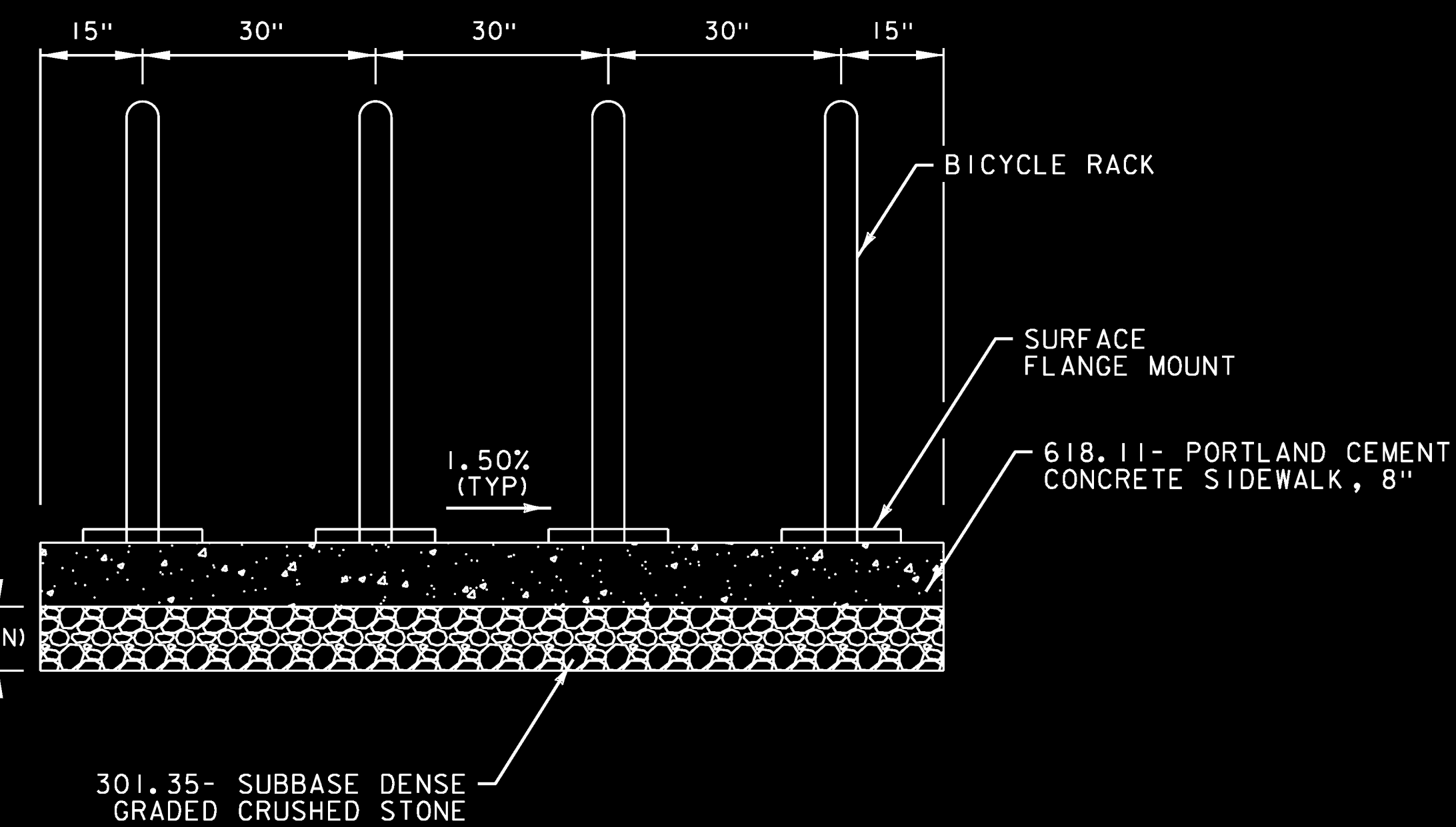


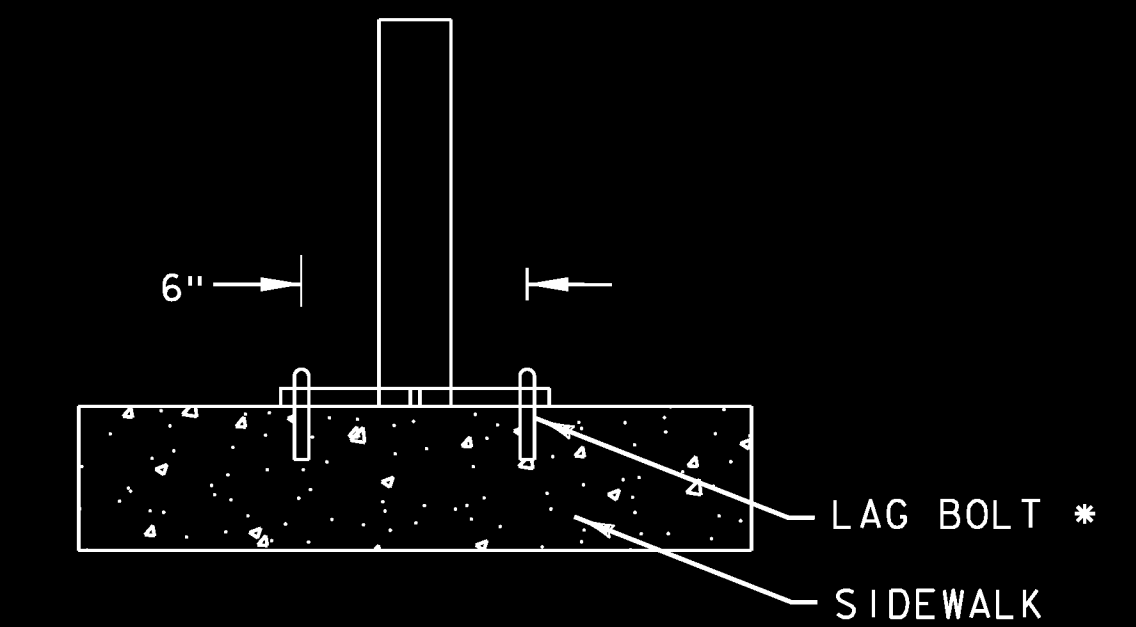
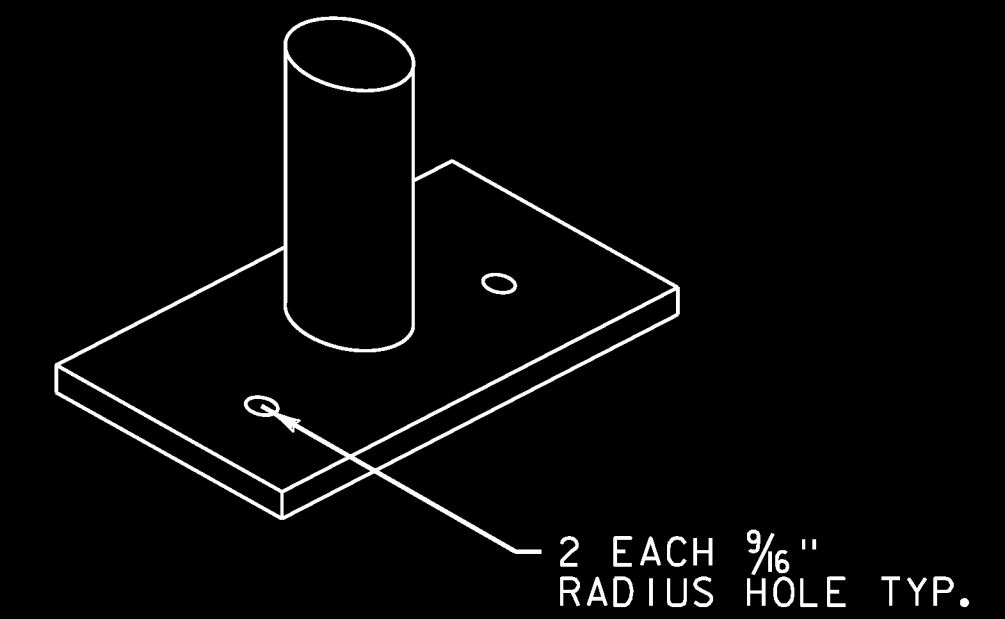
PARK AND RIDE DETAILS



END VIEW



301.35- SUBBASE DENSE GRADED CRUSHED STONE



* DIAMETER, LENGTH & MATERIAL PER MANUFACTURER'S RECOMMENDATIONS

SPECIAL PROVISION (BICYCLE RACK) DETAIL

NOT TO SCALE

NOTE: BICYCLE RACK, SURFACE FLANGE MOUNT, AND LAG BOLTS TO BE PAID UNDER 900.620 SPECIAL PROVISION (BICYCLE RACK).

SURFACE FLANGE MOUNT DETAIL

NOT TO SCALE

PROJECT NAME:	RICHMOND	FILE NAME:	z97cl86drndet.dgn	PLOT DATE:	4/29/2013
PROJECT NUMBER:	CMG PARK (31)	PROJECT LEADER:	ERIK ATKINS	DRAWN BY:	N. BOSAN
		DESIGNED BY:	T. BIGELOW	CHECKED BY:	E. ATKINS
		PARK AND RIDE DETAILS SHEET 2		SHEET	124 OF 133