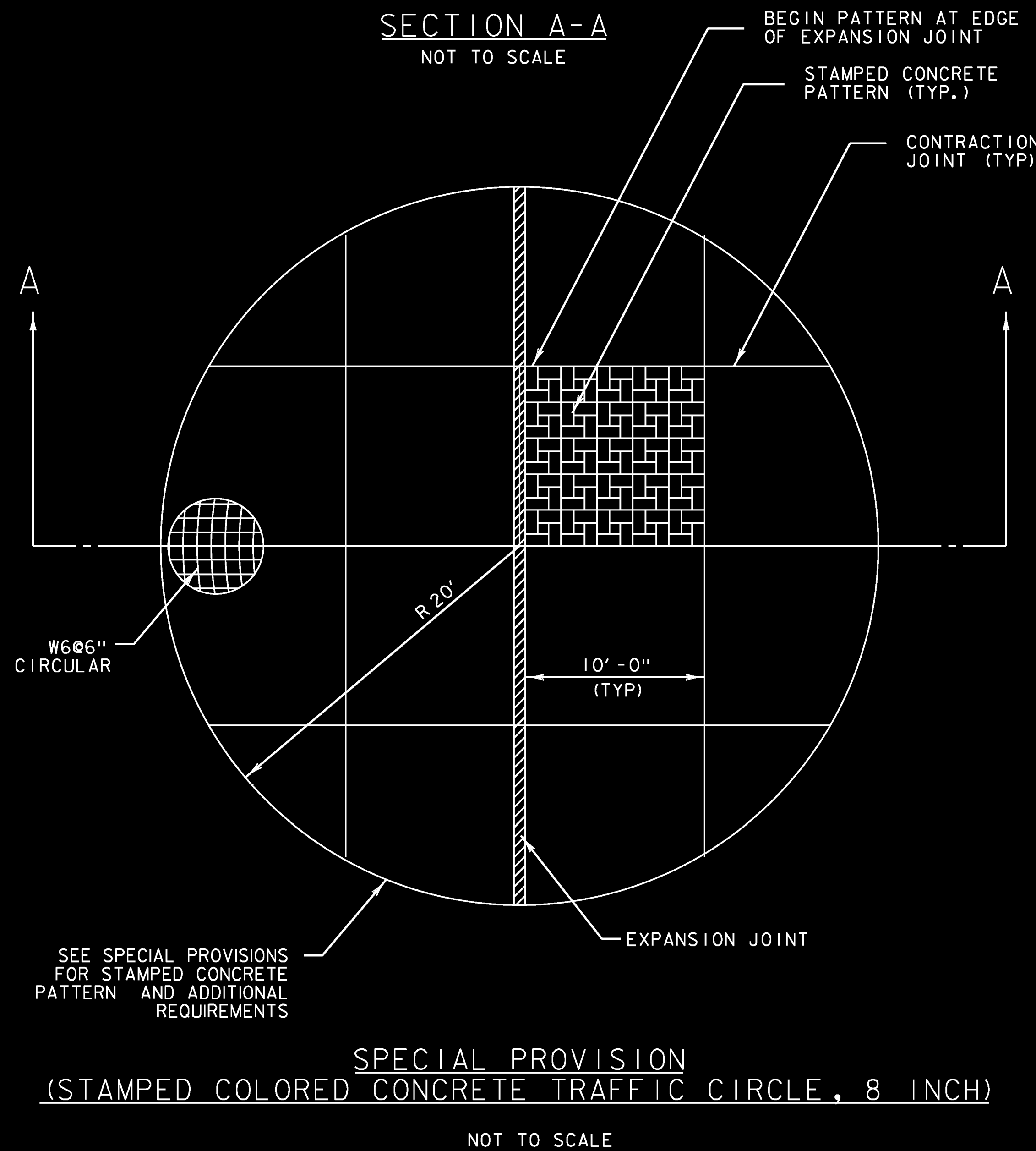
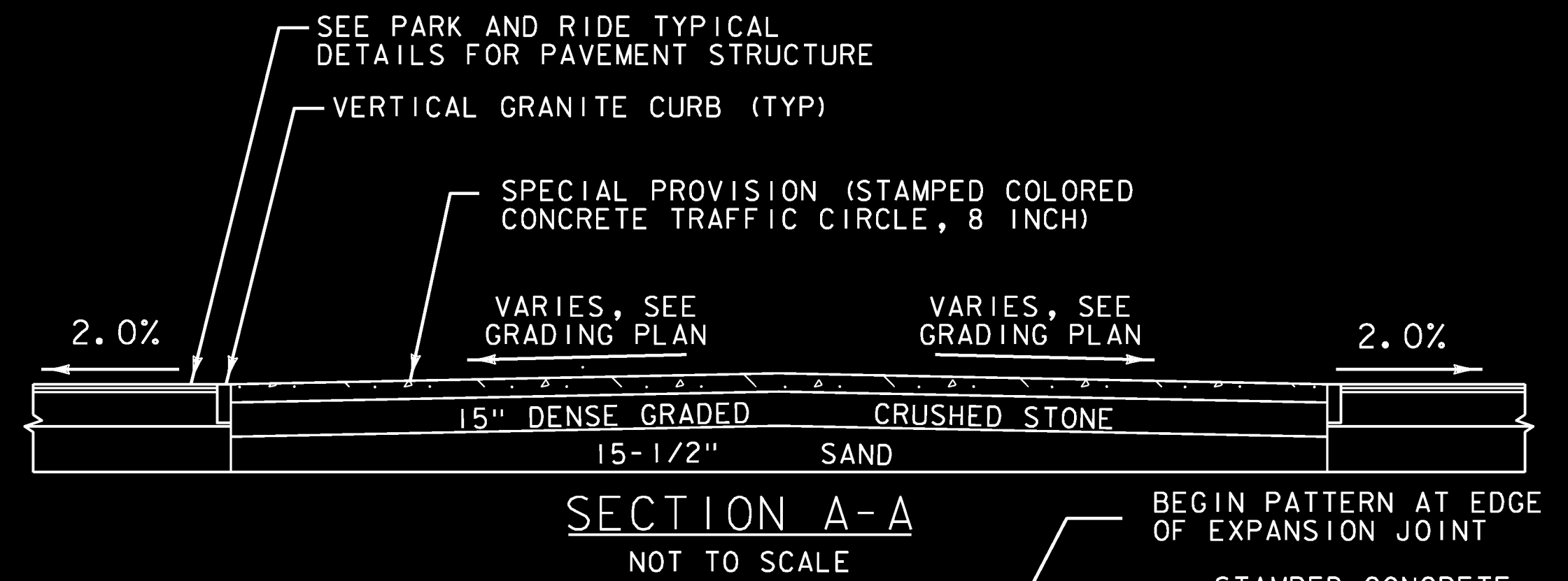
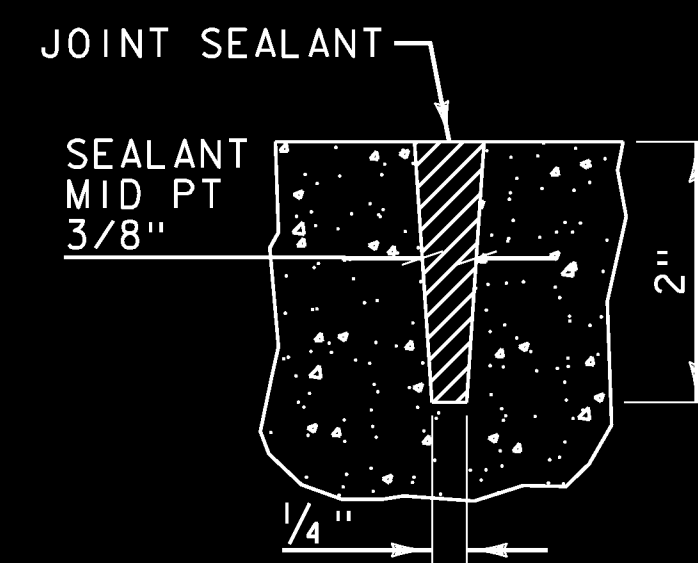


# PARK AND RIDE DETAILS

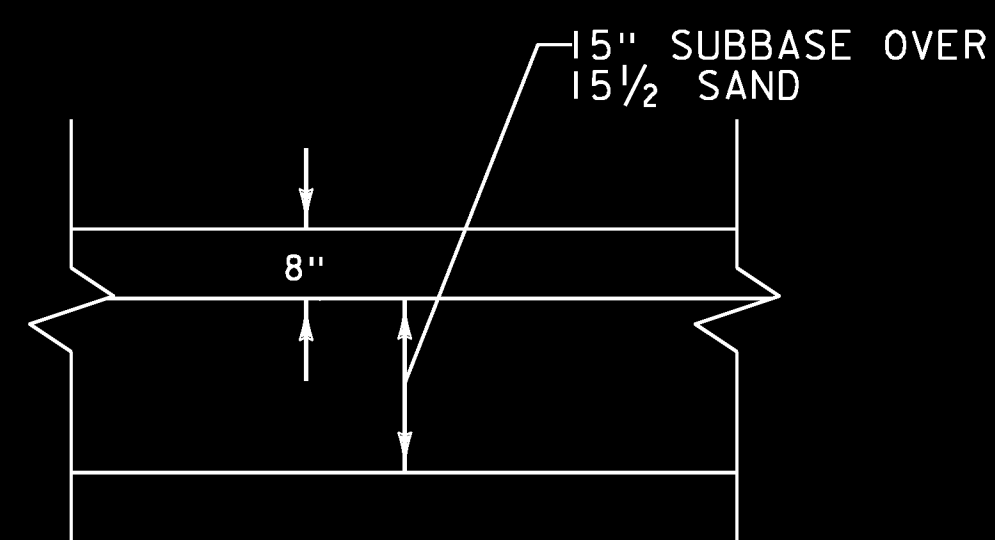


NOTE: JOINTS OTHER THAN THOSE SHOWN SHALL NOT BE ALLOWED WITHOUT ENGINEER'S APPROVAL.



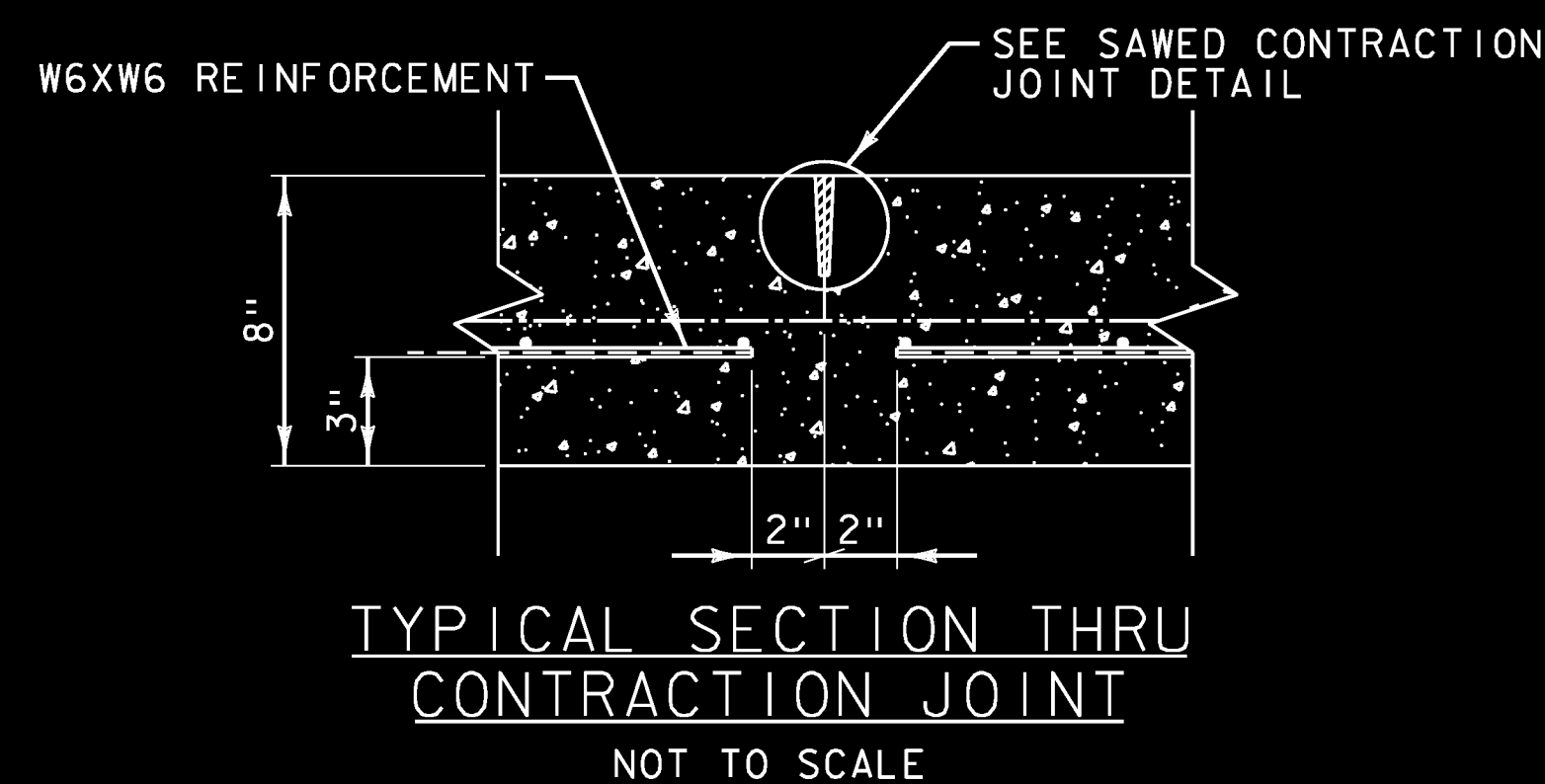
SAWED CONTRACTION JOINT DETAIL

NOT TO SCALE



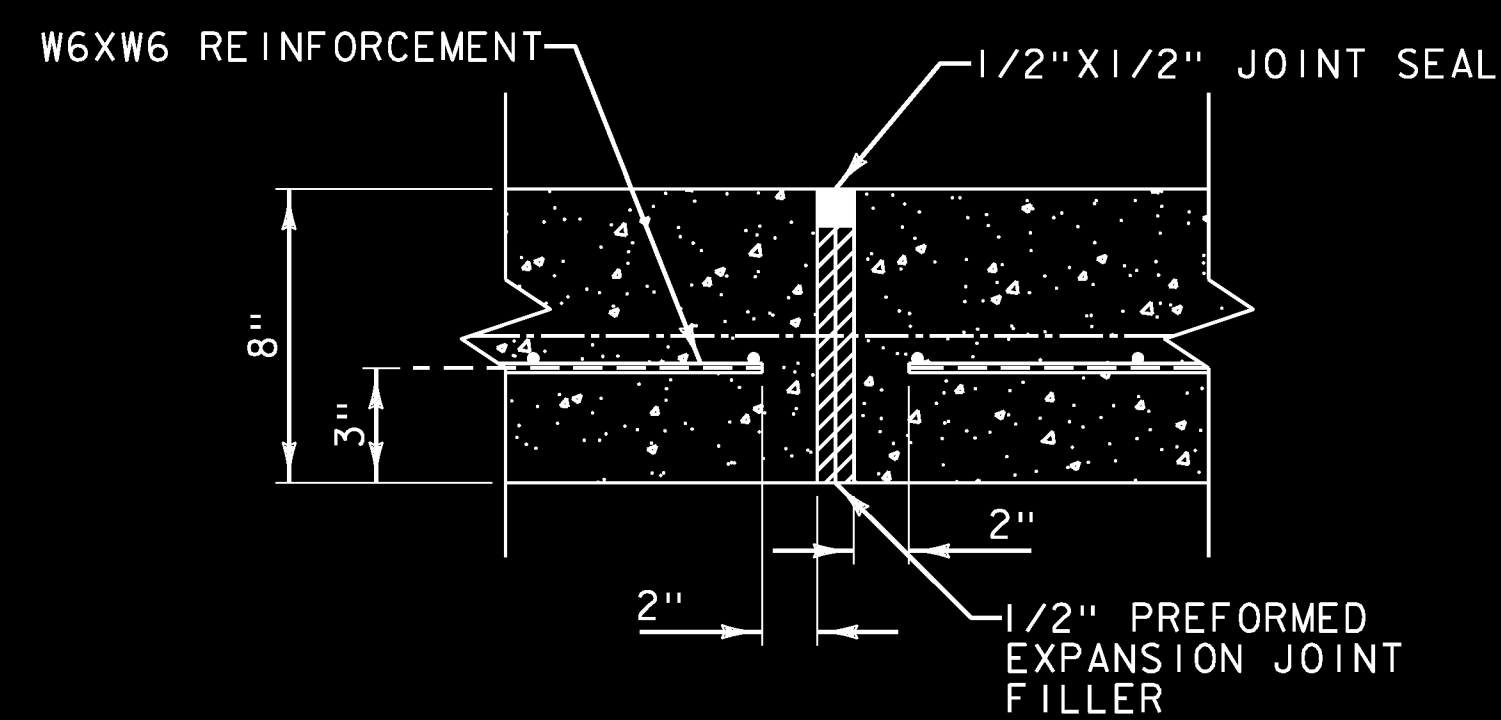
TYPICAL SECTION THRU TRAFFIC CIRCLE

NOT TO SCALE



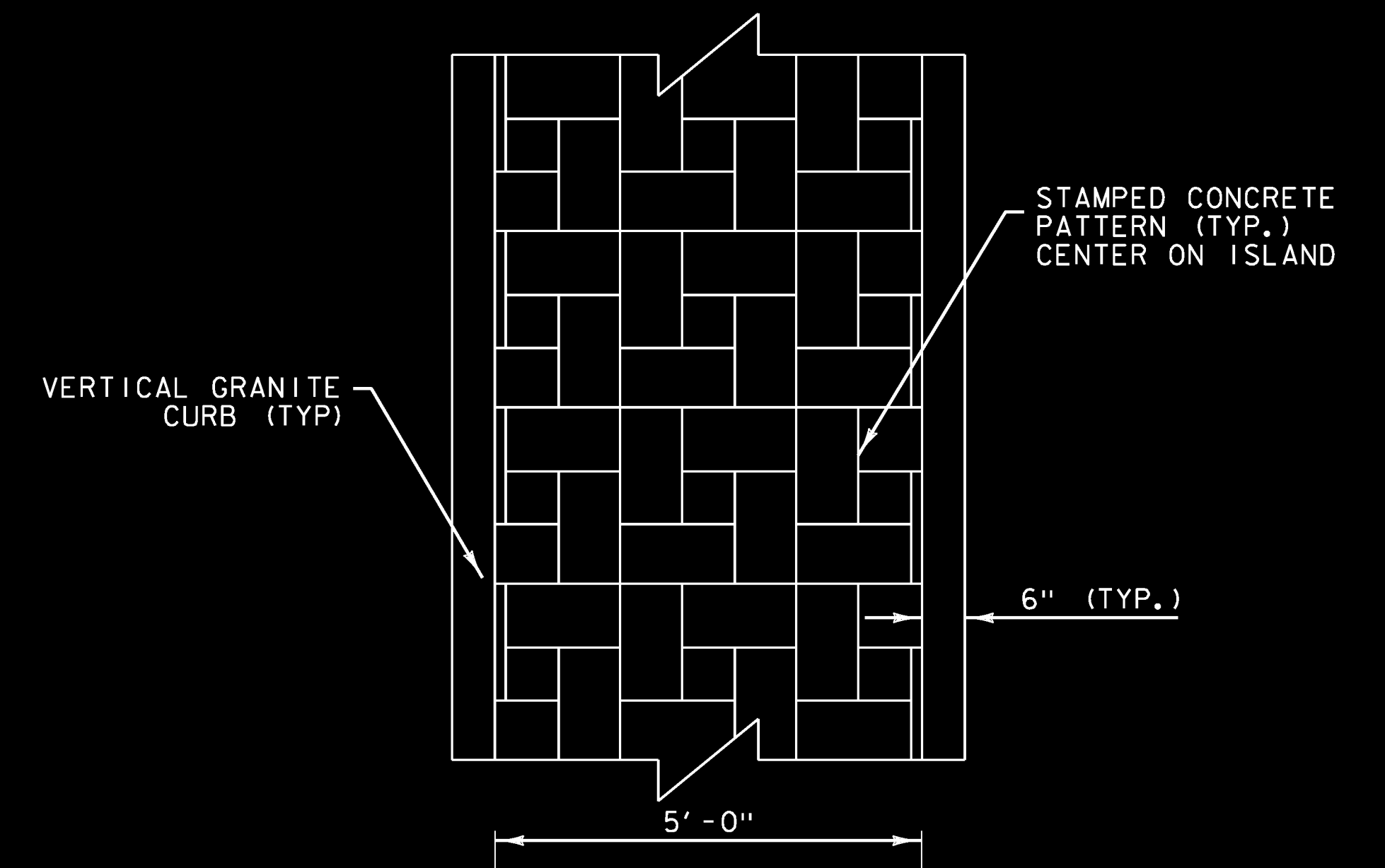
TYPICAL SECTION THRU CONTRACTION JOINT

NOT TO SCALE



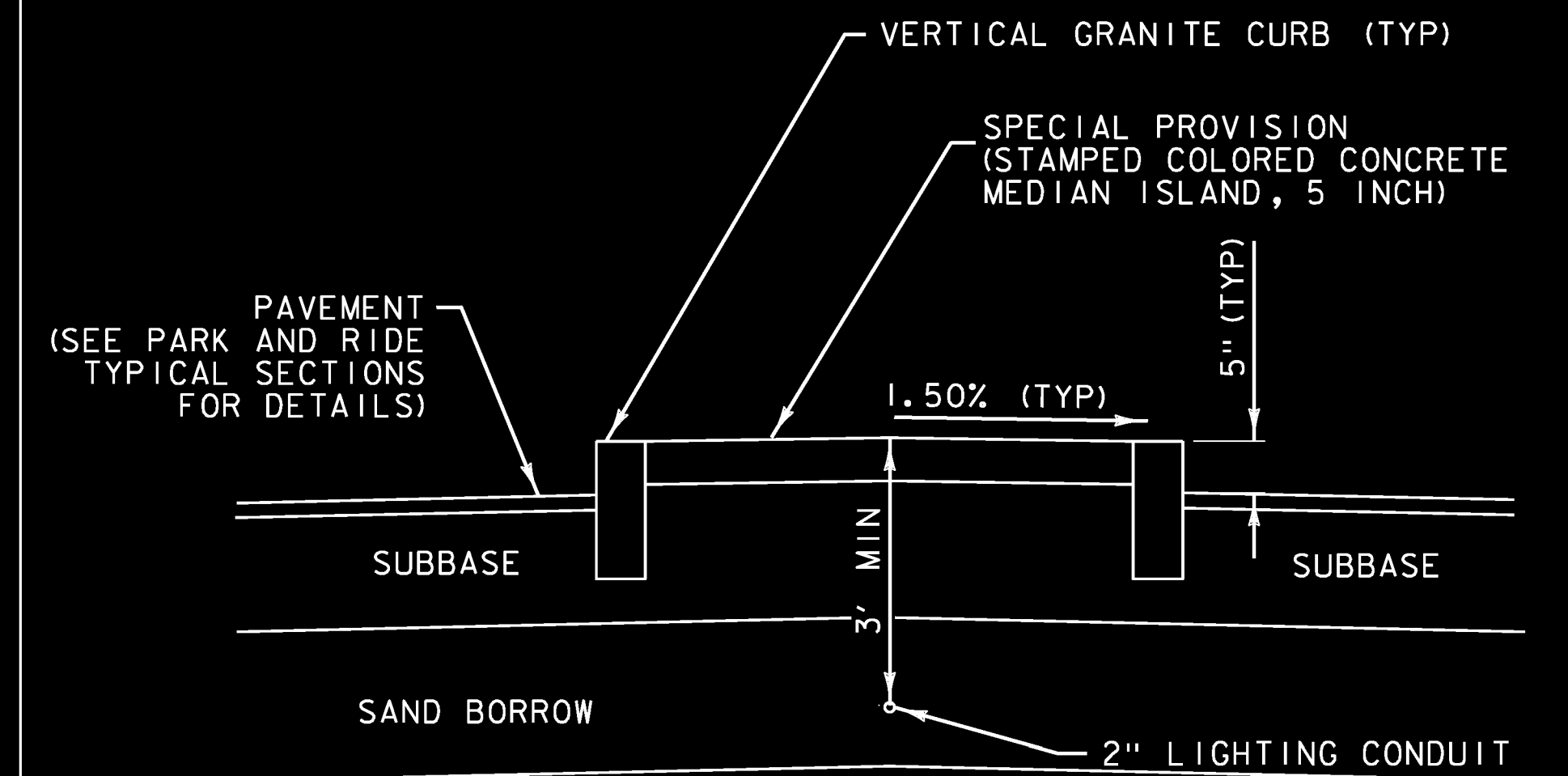
TYPICAL SECTION THRU EXPANSION JOINT

NOT TO SCALE



PLAN VIEW

NOT TO SCALE



SPECIAL PROVISION (STAMPED COLORED CONCRETE MEDIAN ISLAND, 5 INCH)

(STA 73+16.66 - 75+09.84 AND STA 73+81.66 - 75+59.46)

NOT TO SCALE

PROJECT NAME: RICHMOND

PROJECT NUMBER: CMG PARK (31)

FILE NAME: z97cl86drndet.dgn

PROJECT LEADER: ERIK ATKINS

DESIGNED BY: T. BIGELOW

PARK AND RIDE DETAILS SHEET 1

PLOT DATE: 4/29/2013

DRAWN BY: N. BOSAN

CHECKED BY: E. ATKINS

SHEET 123 OF 133