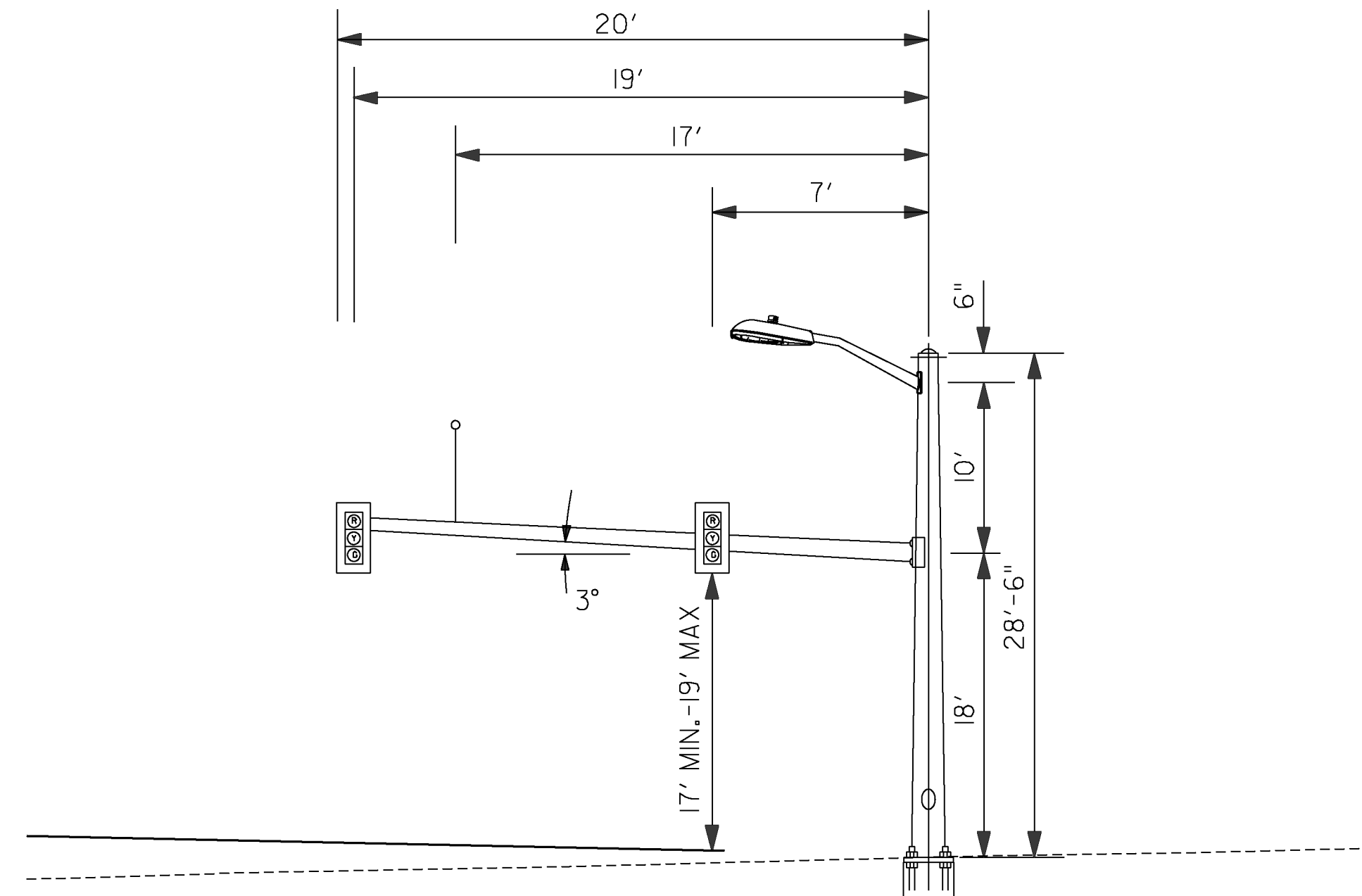
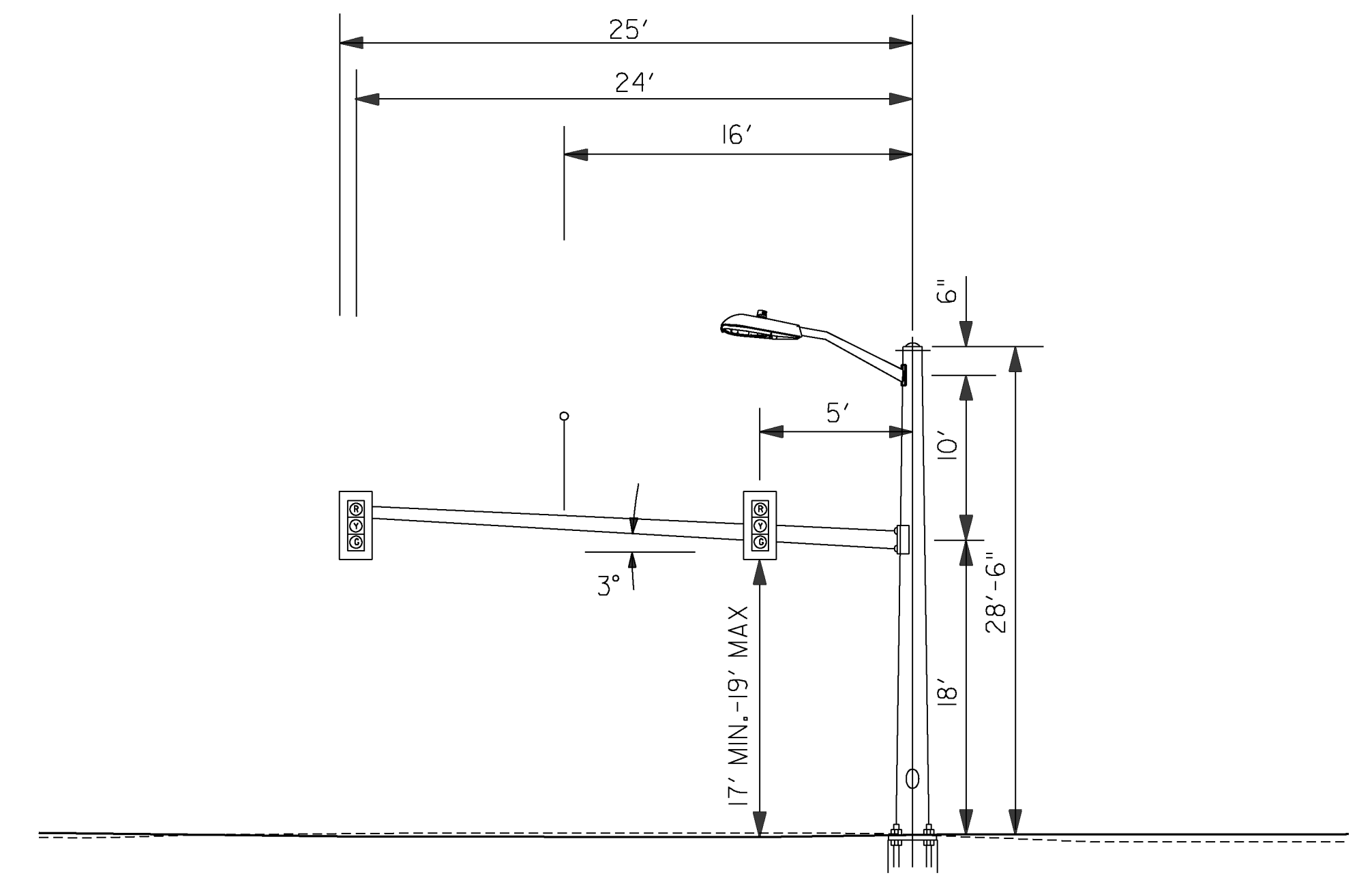


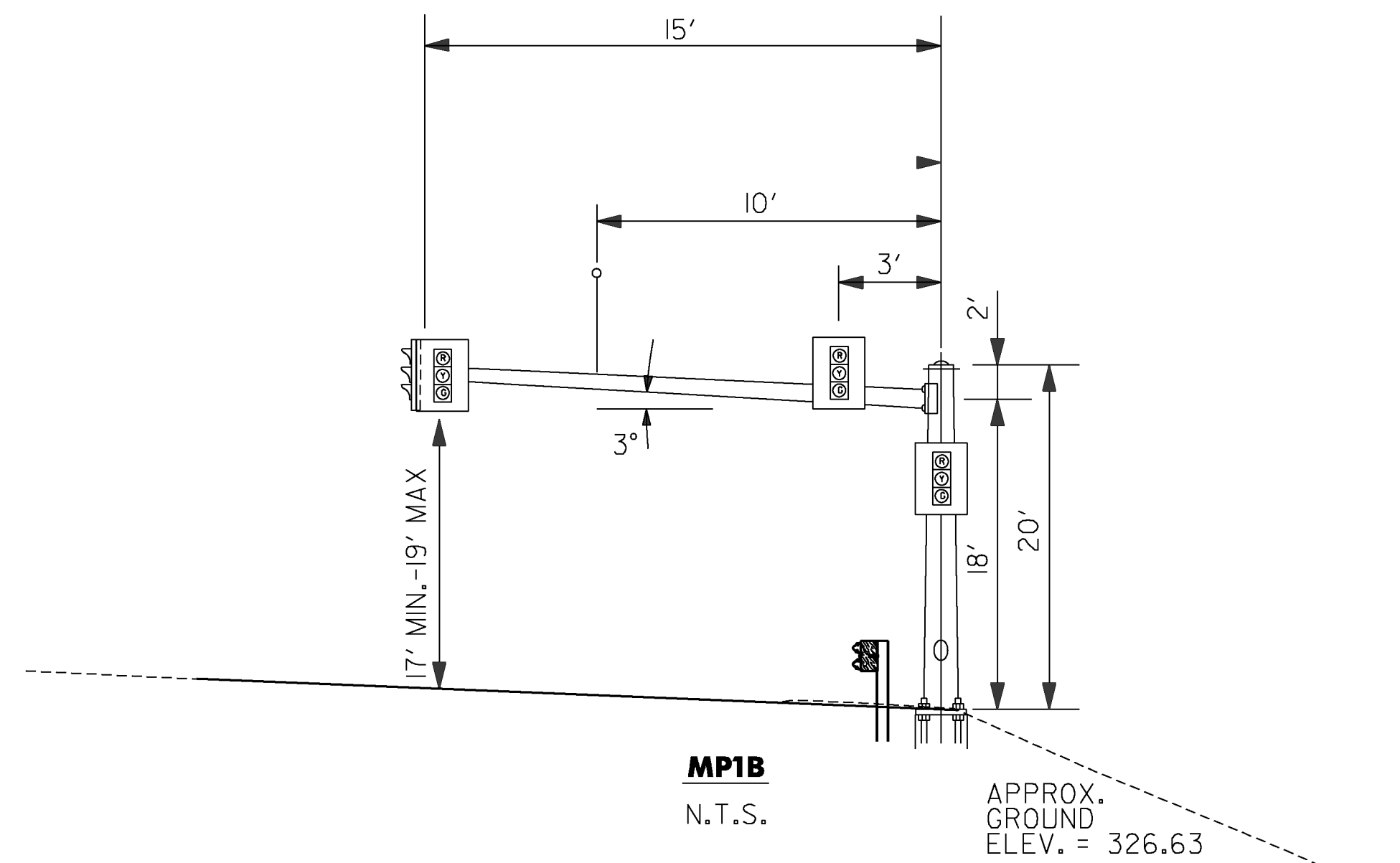
**MP1A**  
N.T.S.



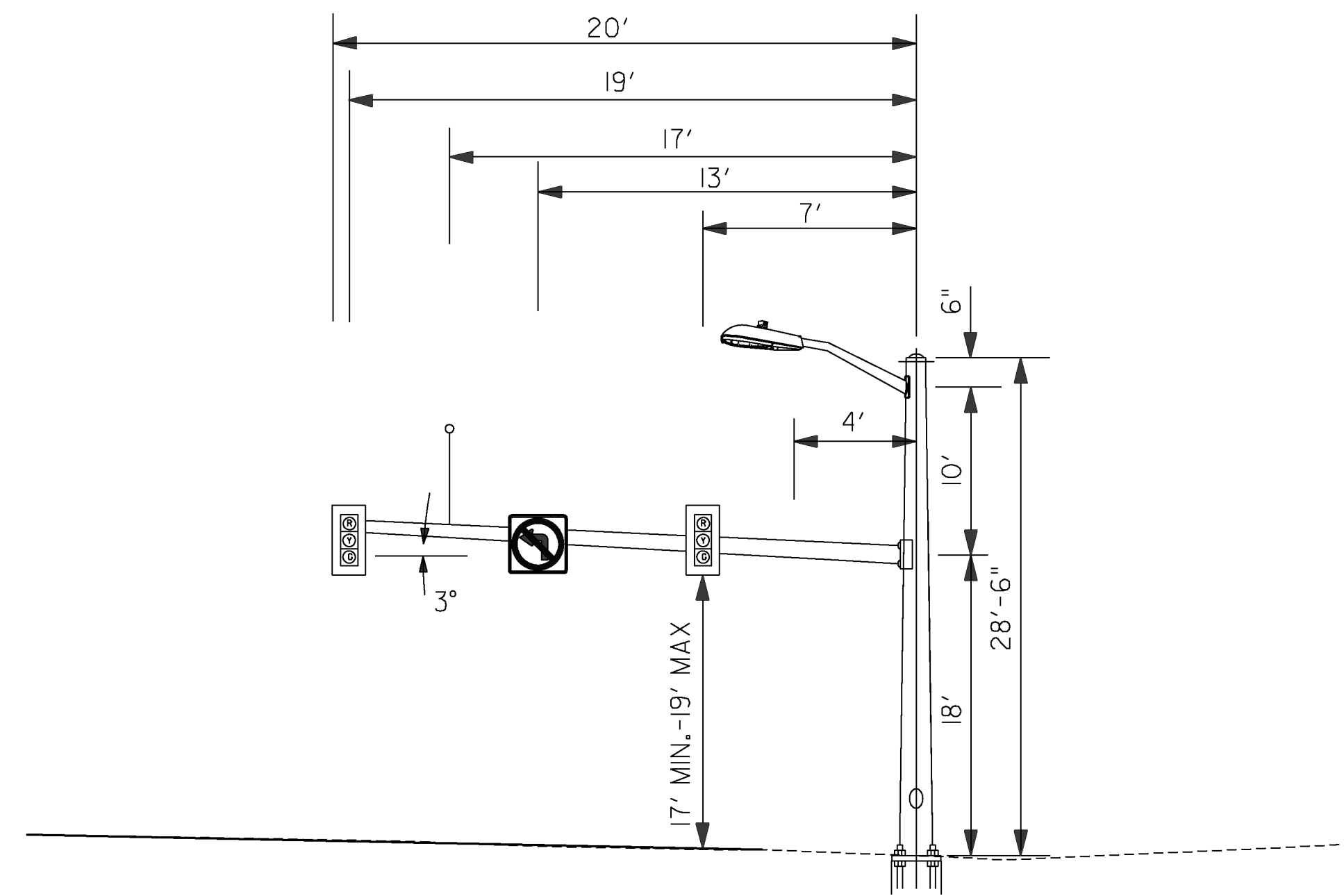
**MP2A**  
N.T.S.



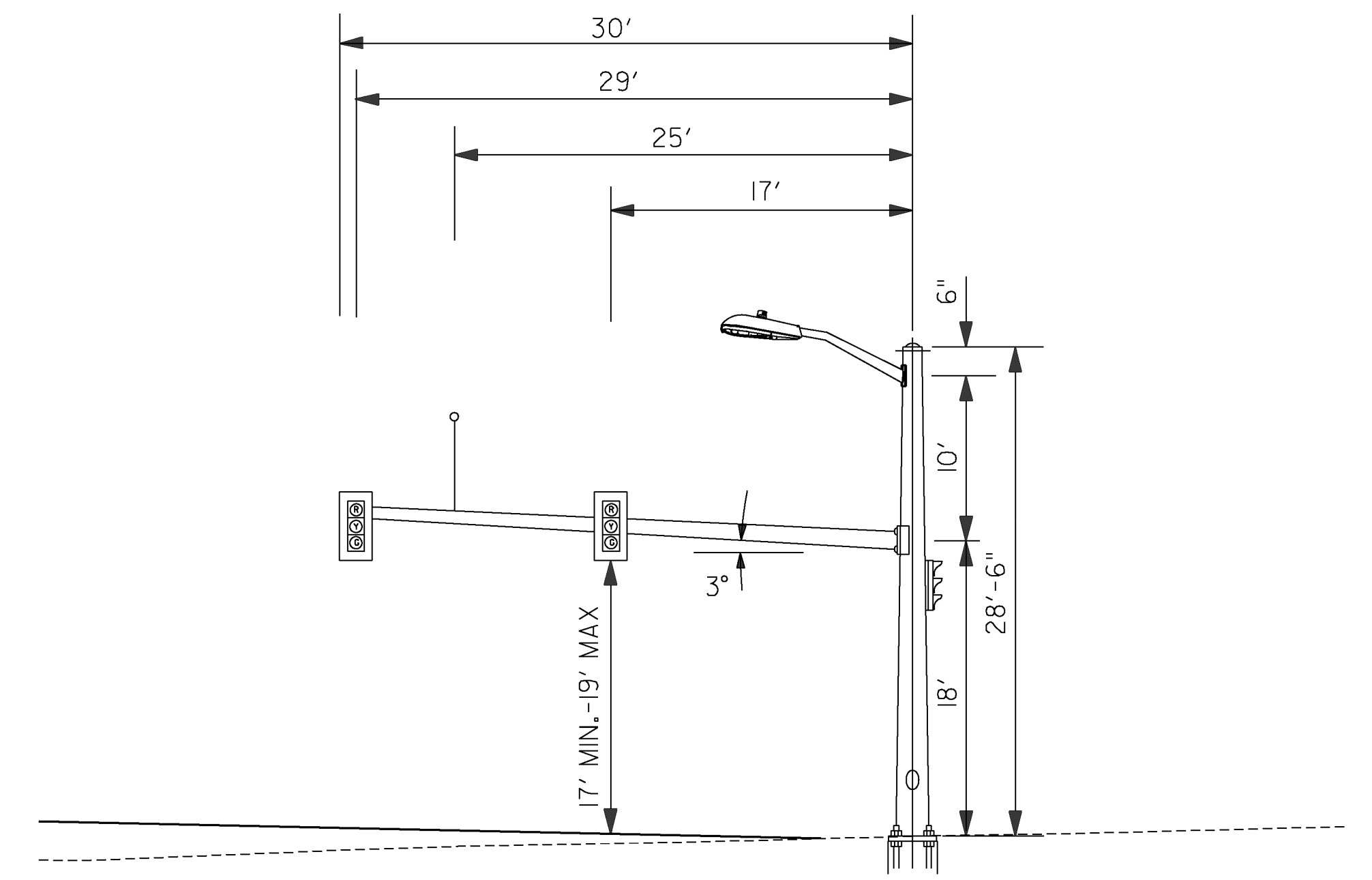
**MP2C**  
N.T.S.



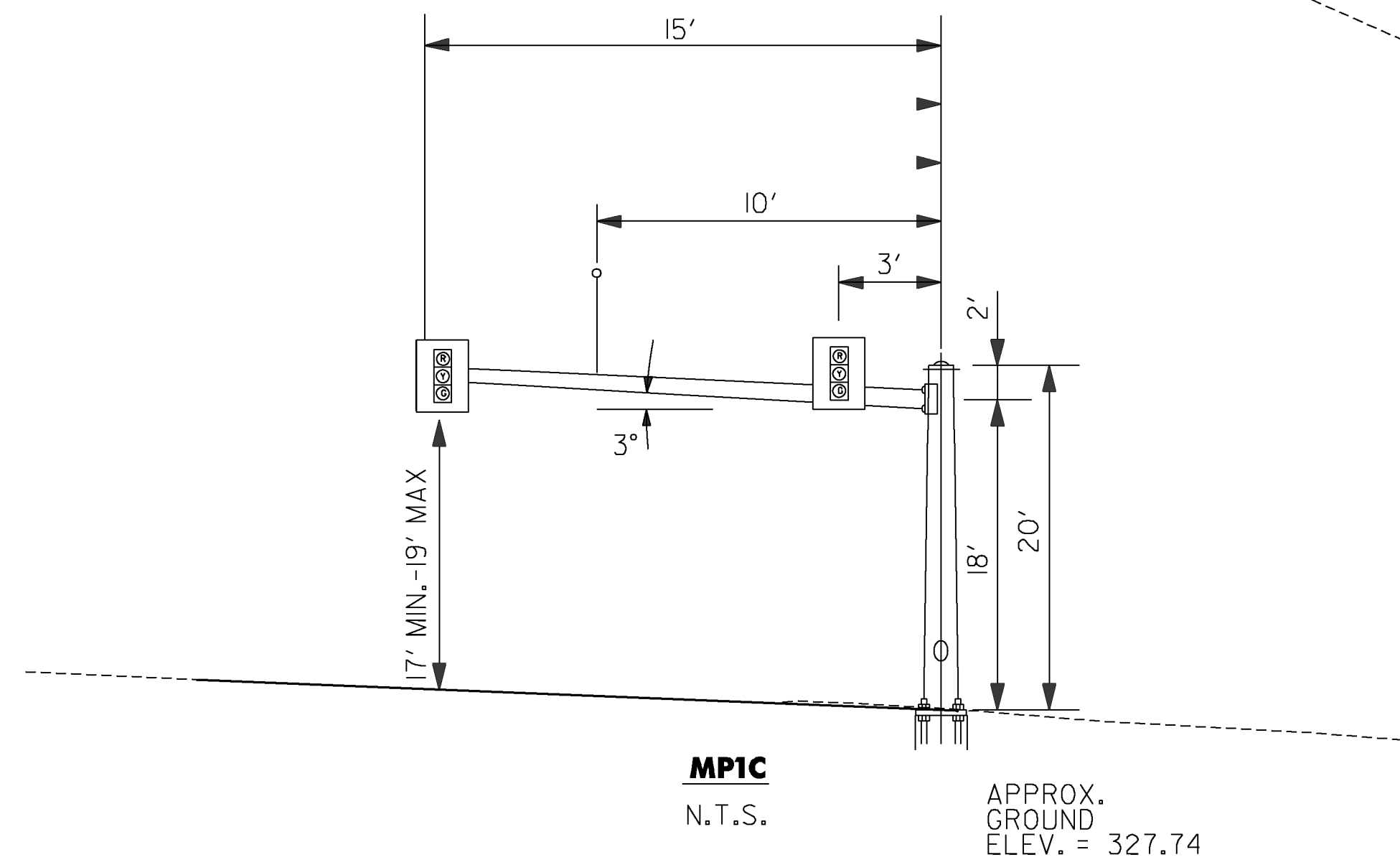
**MP1B**  
N.T.S.



**MP2B**  
N.T.S.



**MP2D**  
N.T.S.



**MP1C**  
N.T.S.

PROJECT NAME:	RICHMOND
PROJECT NUMBER:	STP 0284 (17)
FILE NAME:	z97cl86trfbd2.dgn
PROJECT LEADER:	JEFFREY MAXTUTIS
DESIGNED BY:	J.SOBEL
TRAFFIC SIGNAL DETAIL SHEET 3	
PLOT DATE:	5/2/2013
DRAWN BY:	Y.CAO/LALMY
CHECKED BY:	D.FLYNN
SHEET	73 OF 133