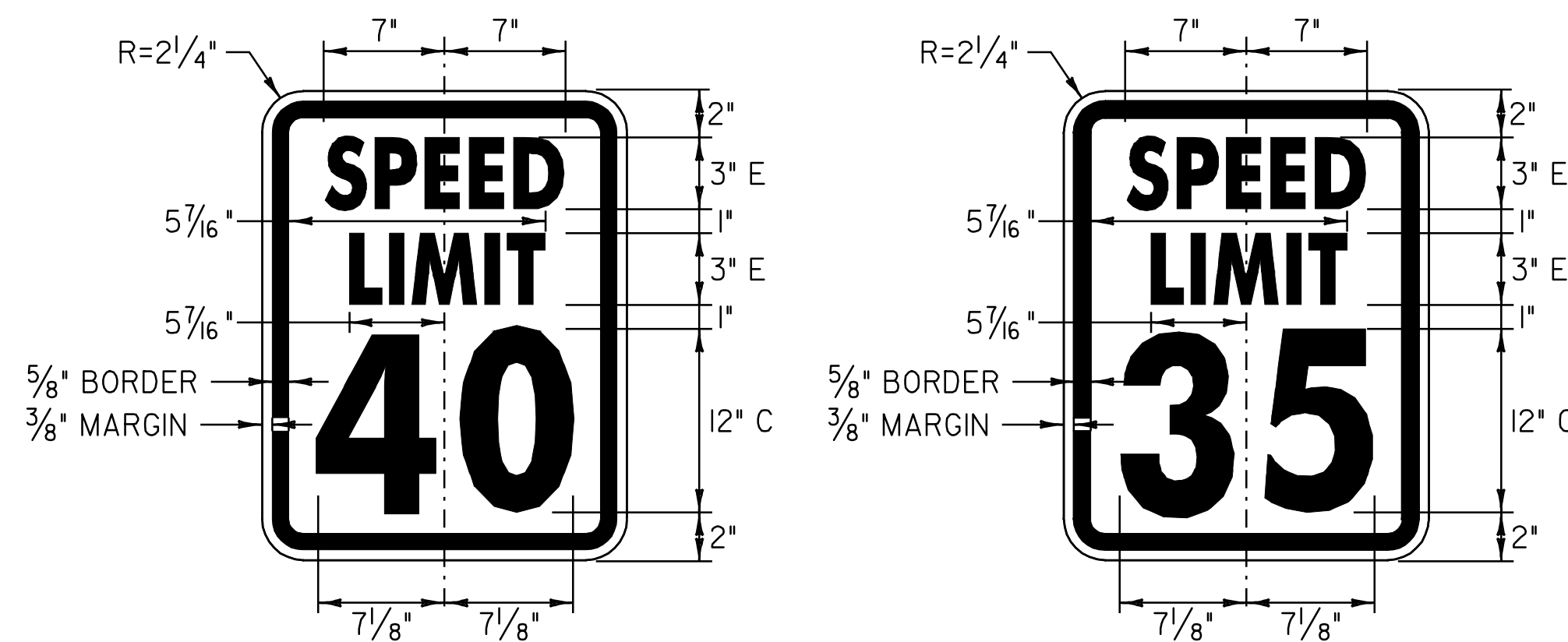


COLOR: BLACK BORDER & ARROW (REFLECTORIZED)
YELLOW BACKGROUND (REFLECTORIZED)

MATERIAL: PER VAOT STANDARD E-151

LOCATIONS: U.S. ROUTE 7
MIDDLEBURY
STA. 324+50.0, LT
NEW HAVEN
STA. 270+32.0, RT
STA. 317+08.0, LT

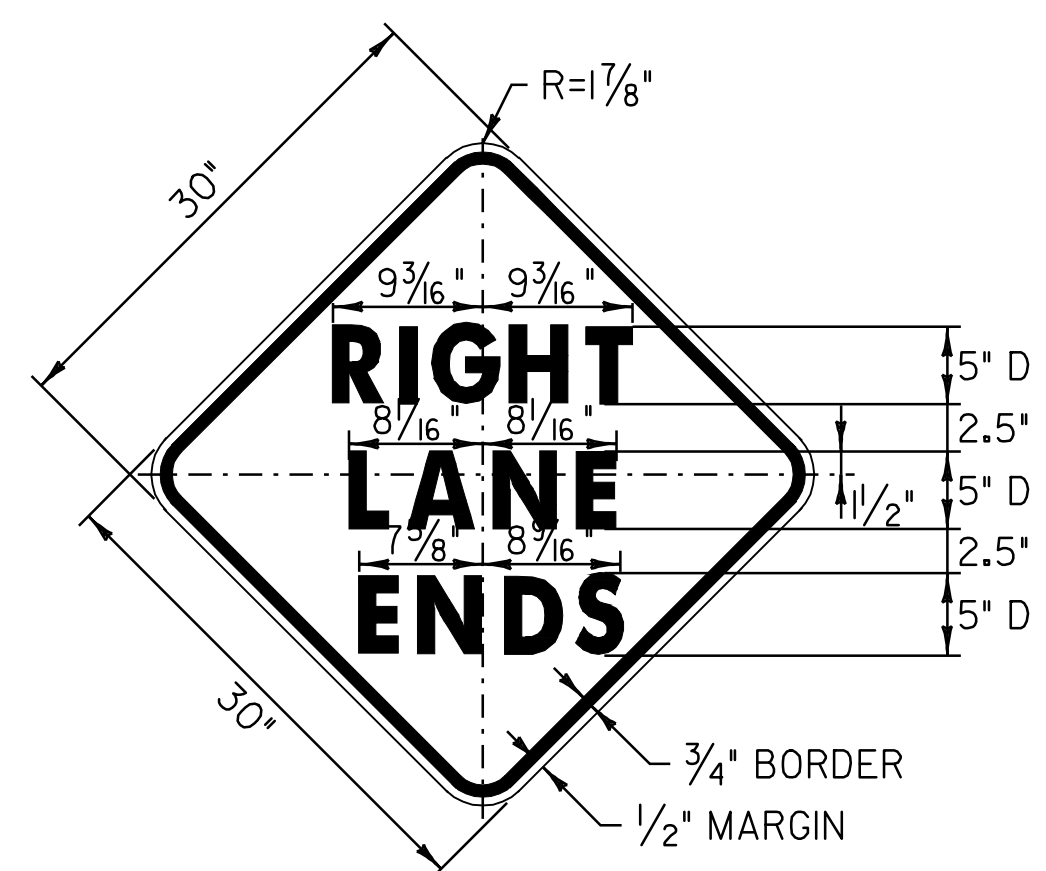


COLOR: BLACK BORDER & TEXT (REFLECTORIZED)
WHITE BACKGROUND (REFLECTORIZED)

COLOR: BLACK BORDER & TEXT (REFLECTORIZED)
YELLOW BACKGROUND (REFLECTORIZED)

MATERIAL: PER VAOT STANDARD E-151

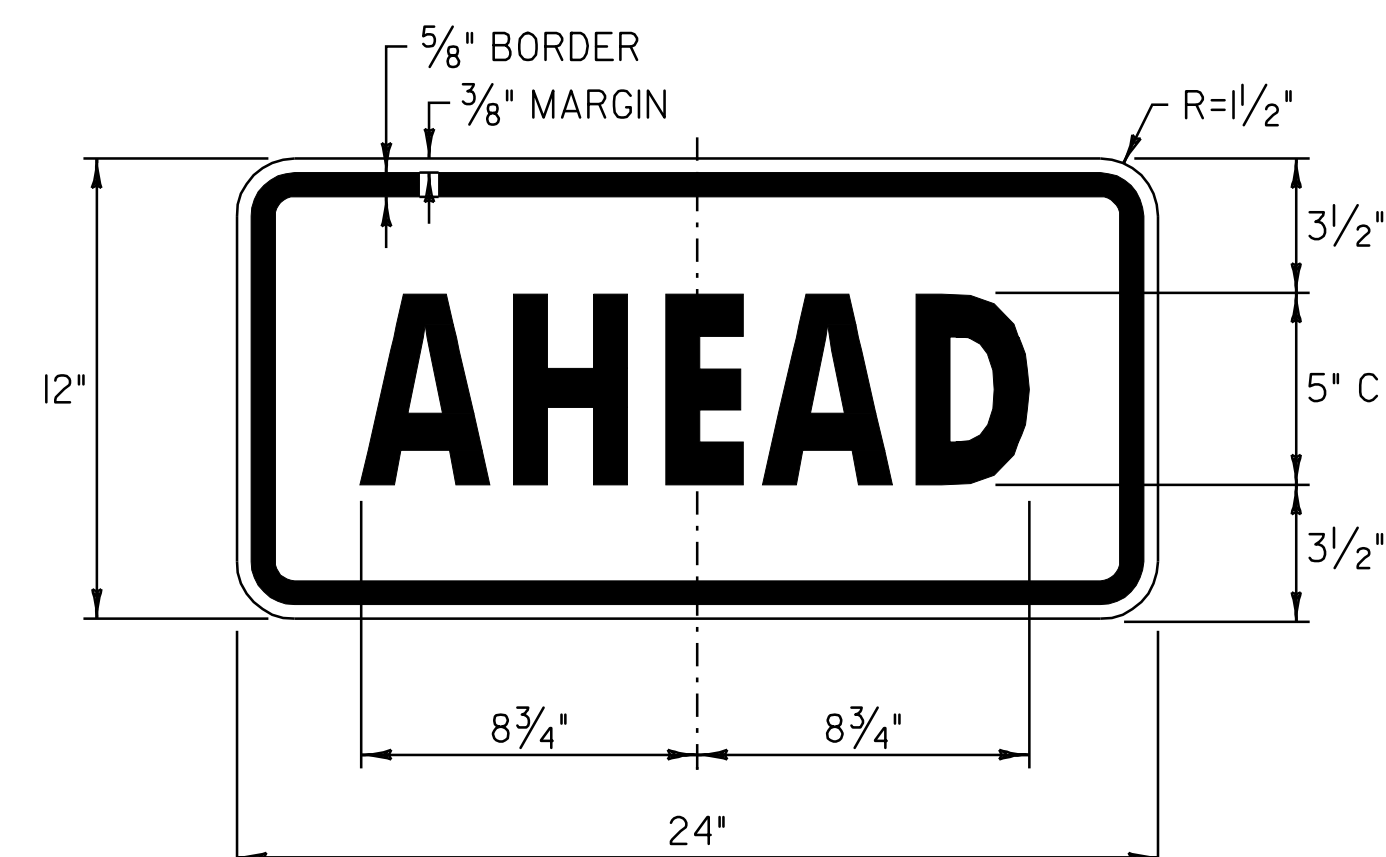
LOCATIONS: U.S. ROUTE 7
NEW HAVEN:
STA. 21+00.0, LT
STA. 93+50.0, RT
STA. 254+00.0, LT
STA. 306+00.0, RT



COLOR: BLACK BORDER & TEXT (REFLECTORIZED)
WHITE BACKGROUND (REFLECTORIZED)

MATERIAL: PER VAOT STANDARD E-142

LOCATIONS: U.S. ROUTE 7
MIDDLEBURY
STA. 322+08.0, LT
NEW HAVEN:
STA. 274+56.0, RT
STA. 309+94.0, LT



COLOR: BLACK BORDER & LEGEND (REFLECTORIZED)
FLUORESCENT YELLOW-GREEN BACKGROUND (REFLECTORIZED)

MATERIAL: PER VAOT STANDARD E-153

LOCATIONS: U.S. ROUTE 7
MIDDLEBURY
STA. 356+36.0, LT

NOTE:

TEXT LAYOUT DIMENSIONS ARE BASED ON THE STANDARD ALPHABETS SPACING CHARTS FOUND IN THE "STANDARD HIGHWAY SIGNS" BOOK PUBLISHED BY FHWA. MINOR VARIATIONS IN TEXT DIMENSIONS ARE ACCEPTABLE BASED ON INDIVIDUAL MANUFACTURER'S LETTER FABRICATION. SIGNIFICANT CHANGES THAT AFFECT SIGN APPEARANCE SHALL BE BROUGHT TO THE ATTENTION OF THE VAOT'S TRAFFIC OPERATIONS SECTION BEFORE FABRICATION.

**TRAFFIC SIGN
DETAIL
SHEET**

PROJECT NAME: MIDDLEBURY - NEW HAVEN
PROJECT NUMBER: NH 9813(1)S

FILE NAME: p97bl66.dgn
PROJECT LEADER: D.E.G.
DESIGNED BY: J.S.P.
IPARM FILE: pbl66sd.i

PLOT DATE: \$DATE\$
DRAWN BY: C.A.K.
CHECKED BY: D.W.E.
SHEET 58 OF 63