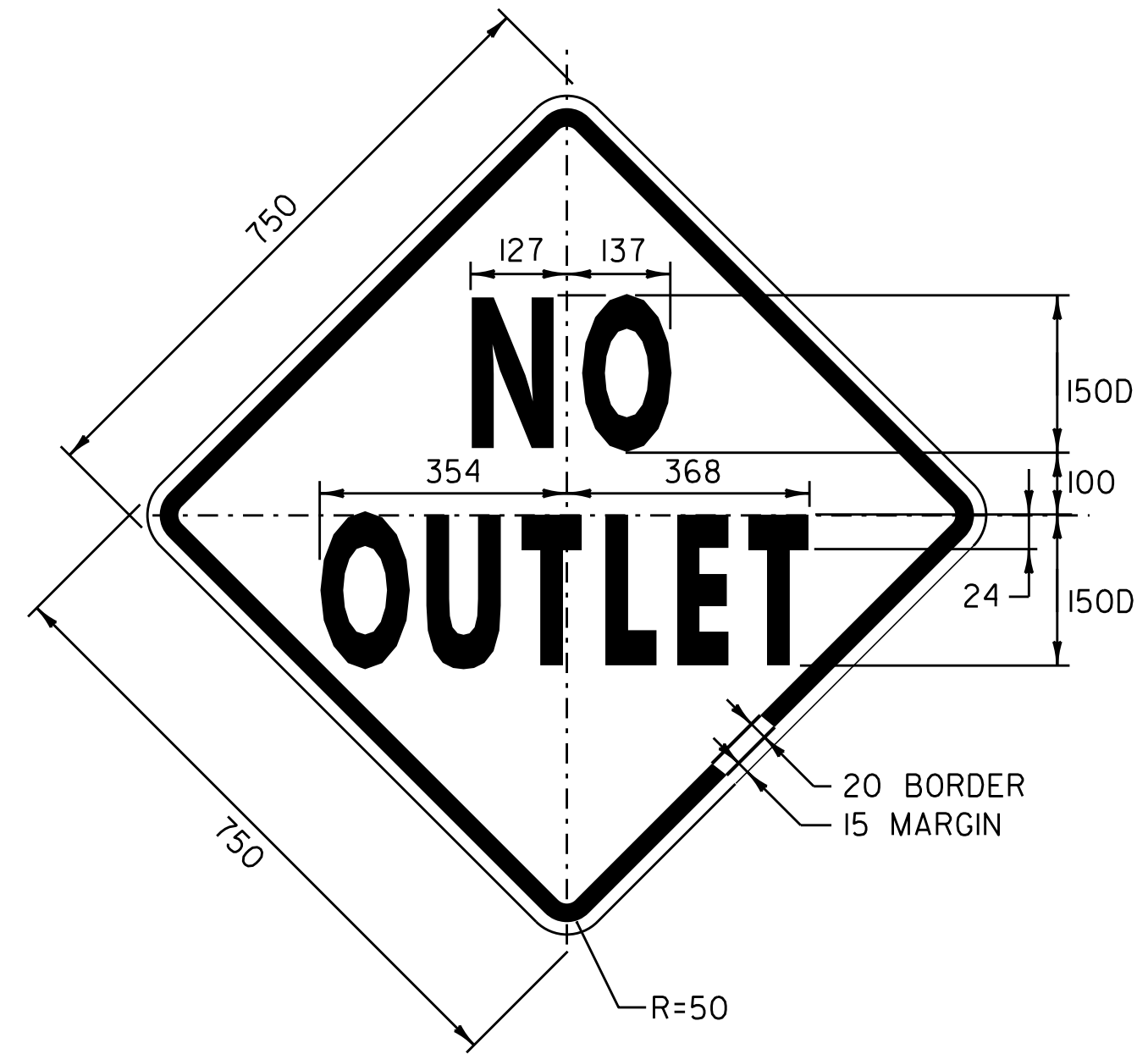


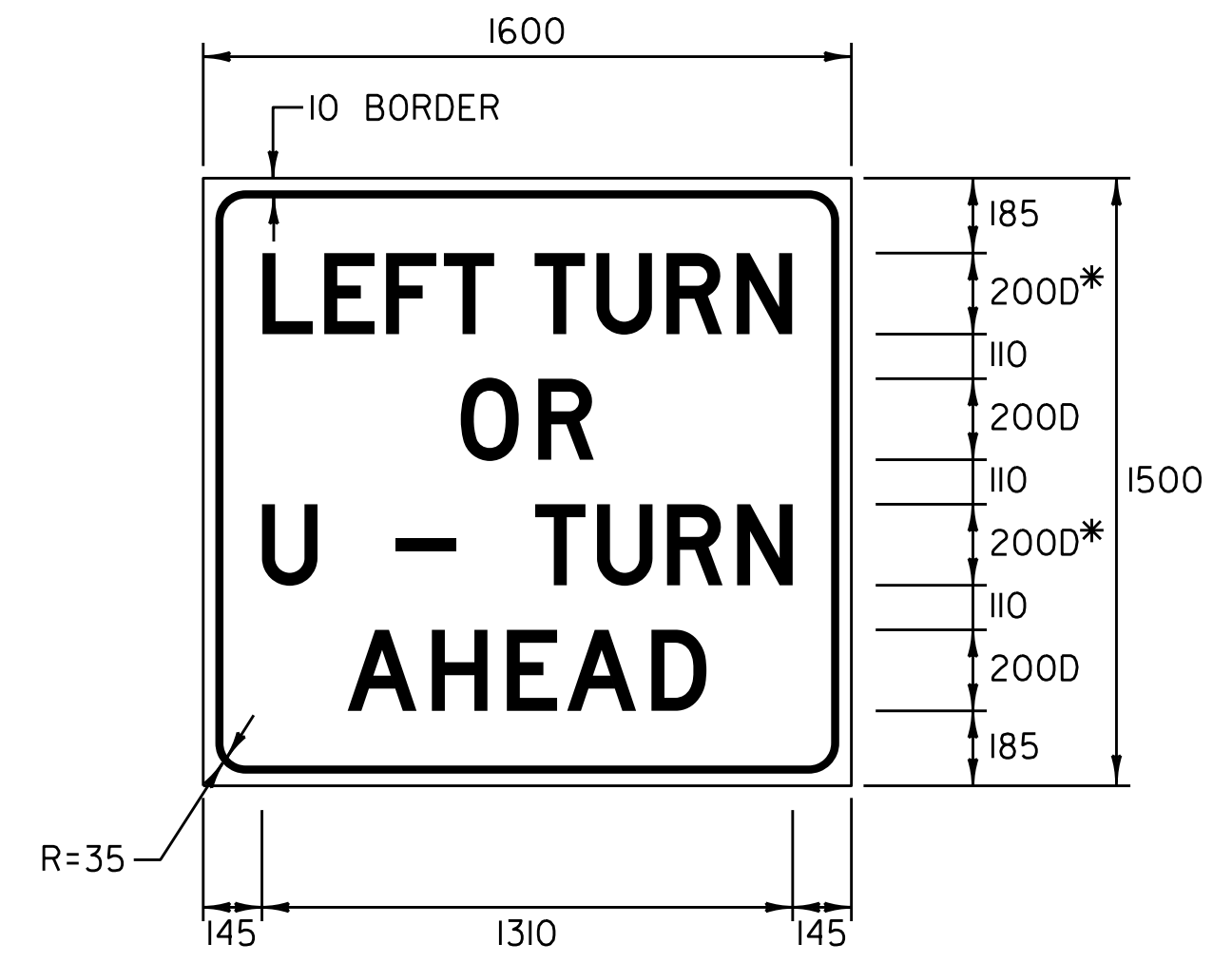
COLOR: BLACK BORDER & TEXT
WHITE BACKGROUND (REFLECTIVE)

MATERIAL: PER VAOT STANDARD E-141M
SIGN - U.S. ROUTE 4
STA. 3+436.0, RT (KILLINGTON)



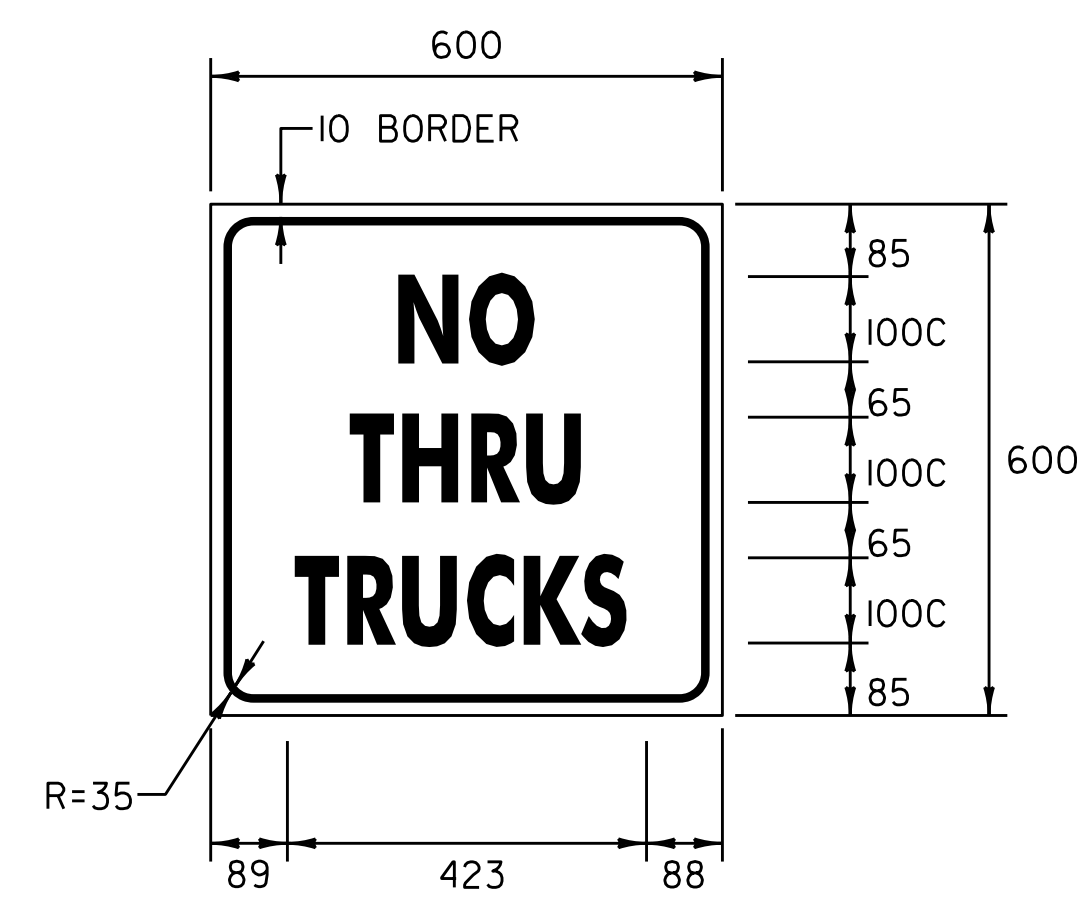
COLOR: BLACK BORDER & TEXT
YELLOW BACKGROUND (REFLECTIVE)

MATERIAL: PER VAOT STANDARD E-153M
SIGN - U.S. ROUTE 4
STA. 0+981.0, LT (RUTLAND)
STA. 2+568.0, LT (MENDON)
STA. 4+430.0, LT (MENDON)
STA. 4+912.0, RT (MENDON)



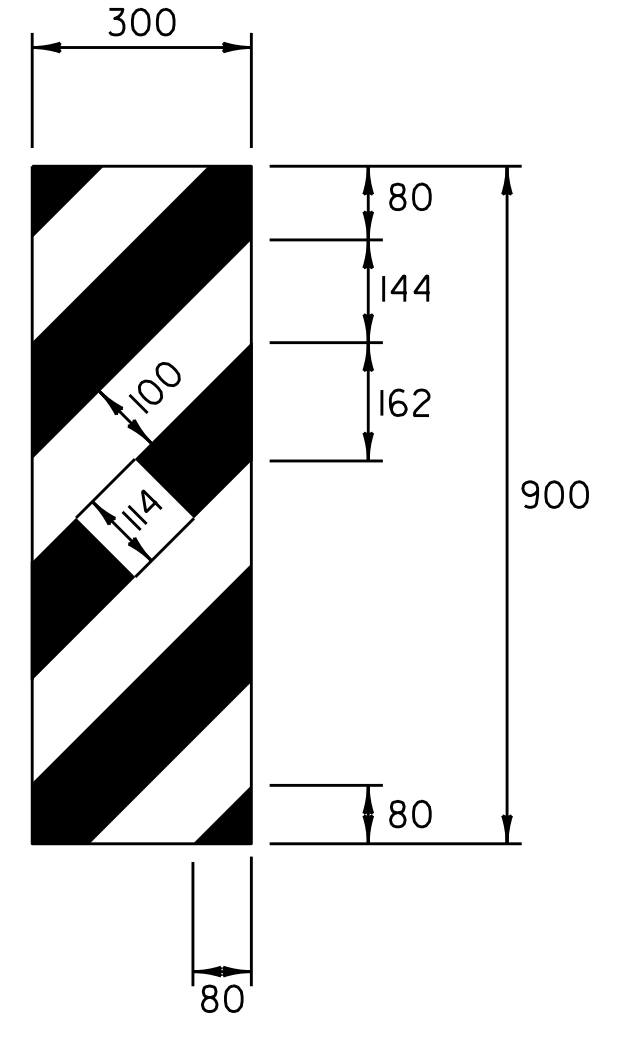
COLOR: BLACK BORDER & TEXT
WHITE BACKGROUND (REFLECTIVE)

MATERIAL: PER VAOT STANDARD E-141M
*50% REDUCED WORD SPACING AND
25% REDUCED LETTER SPACING
SIGN - U.S. ROUTE 4
STA. 1+617.0, RT (KILLINGTON)



COLOR: BLACK BORDER & TEXT
WHITE BACKGROUND (REFLECTIVE)

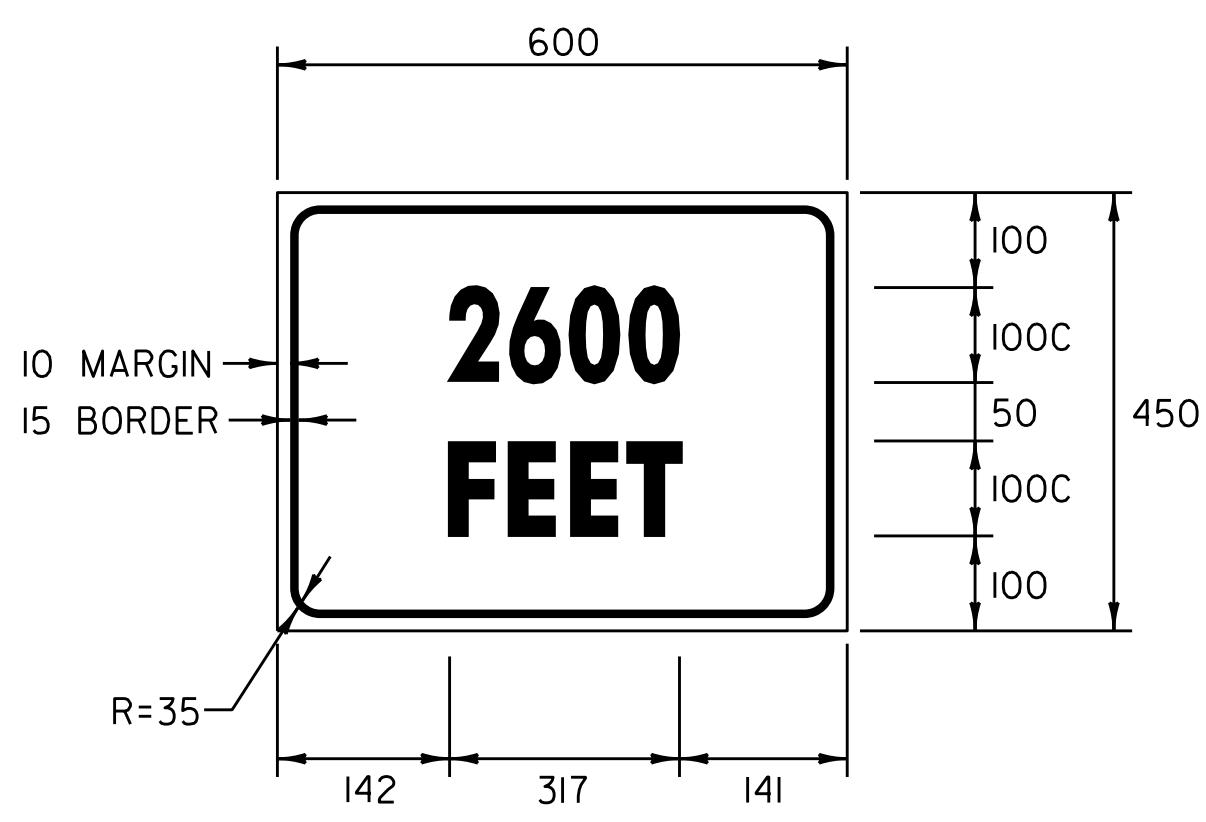
MATERIAL: PER VAOT STANDARD E-141M
SIGN - U.S. ROUTE 4
STA. 1+336.0, LT (RUTLAND)
STA. 1+418.0, LT (MENDON)



COLOR: BLACK BORDER & SYMBOL
YELLOW BACKGROUND (REFLECTIVE)

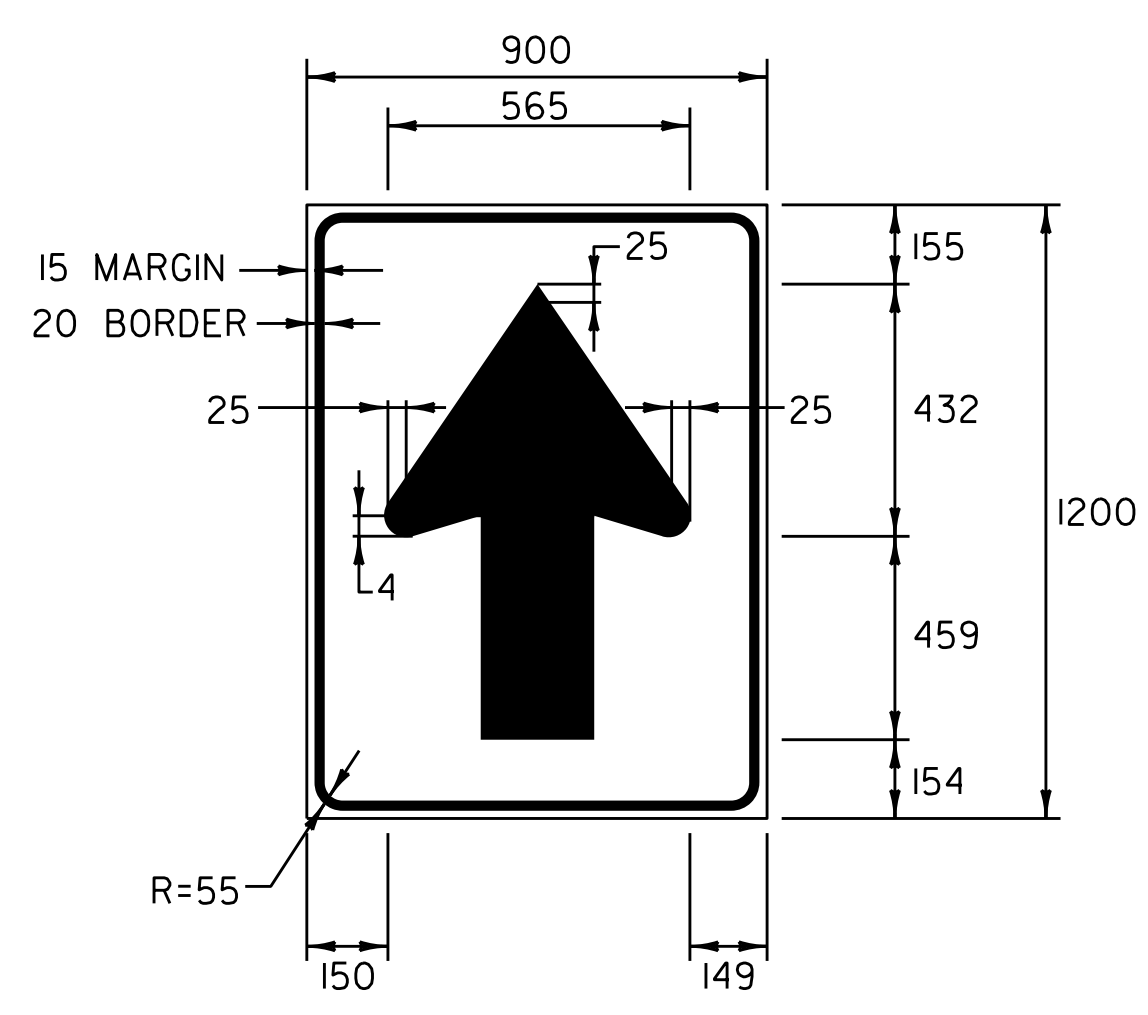
MATERIAL: PER VAOT STANDARD E-150M
SIGN - U.S. ROUTE 4
STA. 0+756.0, RT (MENDON)

**ARCHIVED
IN DPR**



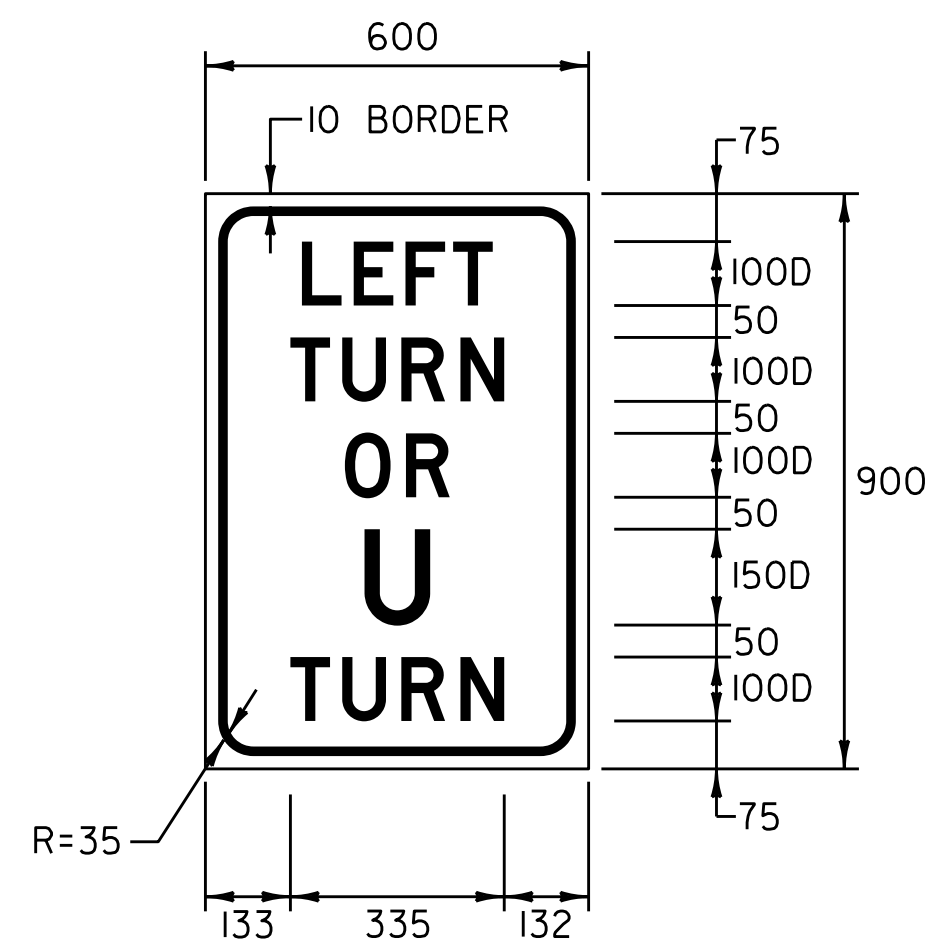
COLOR: BLACK BORDER & TEXT
YELLOW BACKGROUND (REFLECTIVE)

MATERIAL: PER VAOT STANDARD E-152M
SIGN - U.S. ROUTE 4
STA. 1+085.0, LT (RUTLAND)



COLOR: BLACK BORDER, SYMBOL & TEXT
WHITE BACKGROUND (REFLECTIVE)

MATERIAL: PER VAOT STANDARD E-144M
SIGN - U.S. ROUTE 4
STA. 0+358.0, LT (RUTLAND)



COLOR: BLACK BORDER & TEXT
WHITE BACKGROUND (REFLECTIVE)

MATERIAL: PER VAOT STANDARD E-141M
SIGN - U.S. ROUTE 4
STA. 1+844.0, RT (KILLINGTON)

NOTE:

TEXT LAYOUT DIMENSIONS ARE BASED ON THE "LETTER & NUMERAL WIDTHS & SPACE" TABLES FOUND IN THE "STANDARD HIGHWAY SIGNS" BOOKLET. MINOR VARIATIONS IN TEXT DIMENSIONS ARE ACCEPTABLE BASED ON INDIVIDUAL MANUFACTURER'S LETTER FABRICATION. SIGNIFICANT CHANGES THAT AFFECT SIGN APPEARANCE SHALL BE BROUGHT TO THE ATTENTION OF THE VAOT'S TRAFFIC AND SAFETY DIVISION BEFORE FABRICATION.

DATUM	
VERTICAL	N/A
HORIZONTAL	N/A

ALL DIMENSIONS IN MILLIMETERS EXCEPT WHERE OTHERWISE INDICATED.

TRAFFIC SIGN DETAIL SHEET 1	SURVEYED BY	N/A	DATE	N/A
	DRAWN BY	C.A.K.	DATE	11/99
	SQUAD LEADER	T.P.K.		
	DESIGN FILE NO.	/pave/97b160/pb160.dgn		
	IPARM FILE	pb160sdl.i	DATE PLOTTED	N/A
	PROJ. NAME	RUTLAND - KILLINGTON		
	PROJ. NO.	NH 9809(1)S		
	SHEET	79 OF 83	SHEETS	