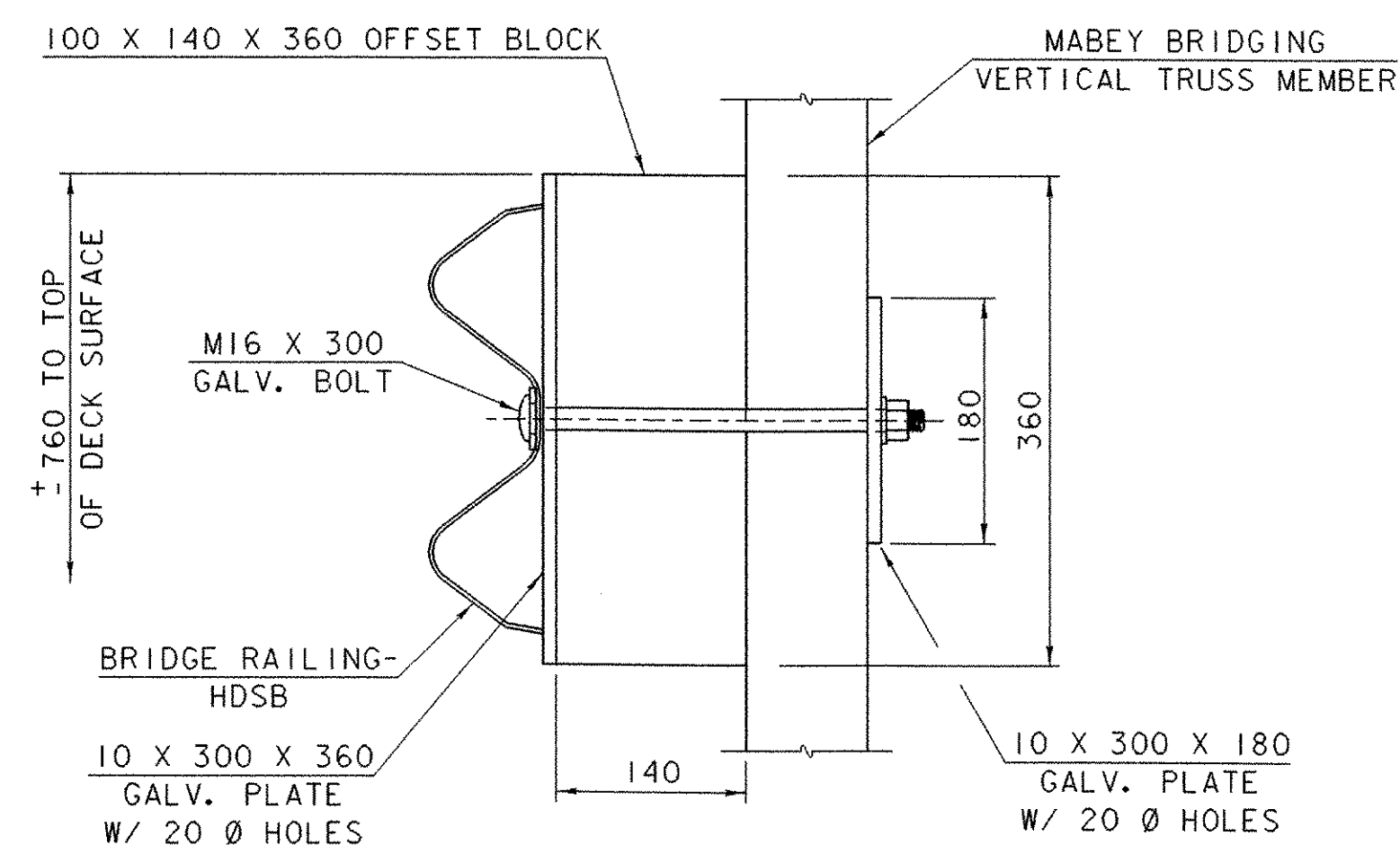
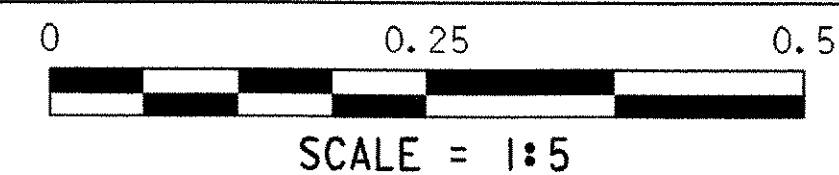


PLAN



ELEVATION

RAIL ATTACHMENT DETAILS



PROJECT: BETHEL	PROJECT NO.: BRF 0241 (33)
DESIGN FILE NAME: 96j250/Structures/s96j250mis.dgn	PLOT DATE: 09-JUL-2003
IPARM FILE NAME: s96j250misc.i	DESIGNED BY: K.M.HIGGINS
SQUAD LEADER: C.P. WILLIAMS	CHECKED BY: K.M.HIGGINS
RAIL ATTACHMENT DETAIL	SHEET: 28 OF 47