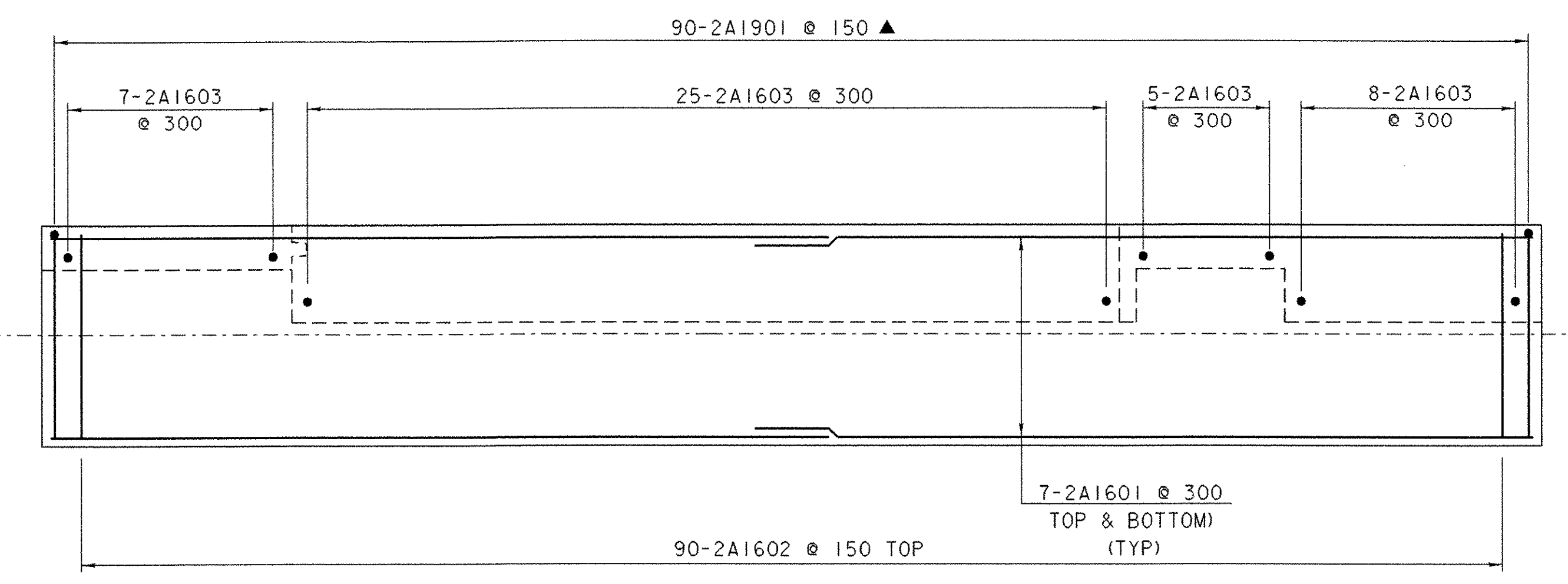


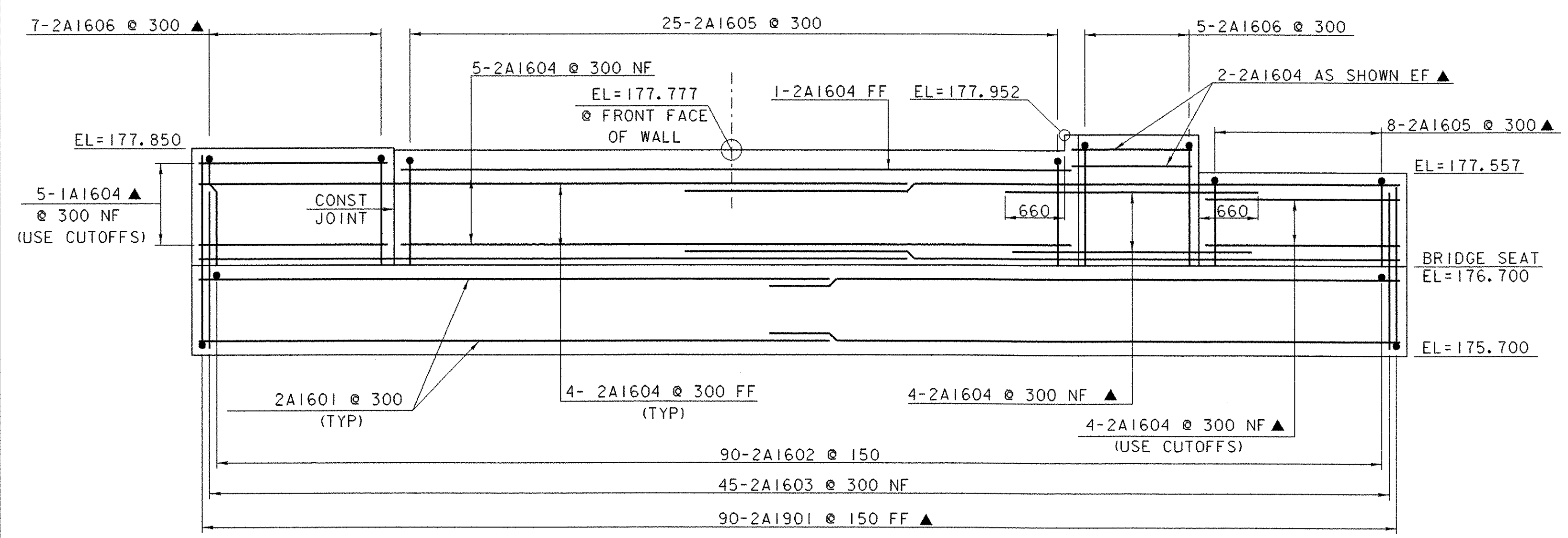
ABUTMENT NO. 2 DIMENSION PLAN

SCALE = 1:40



BRIDGE SEAT NO. 2 REINFORCEMENT PLAN

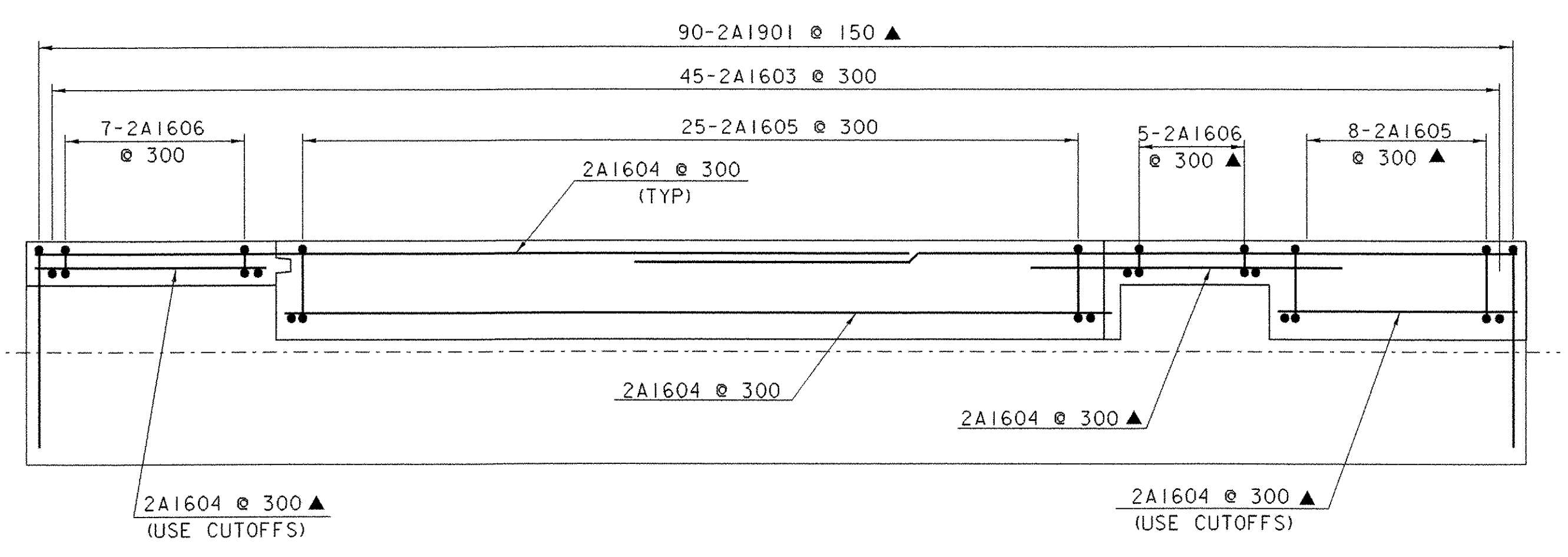
SCALE = 1:40



ABUTMENT NO. 2 ELEVATION

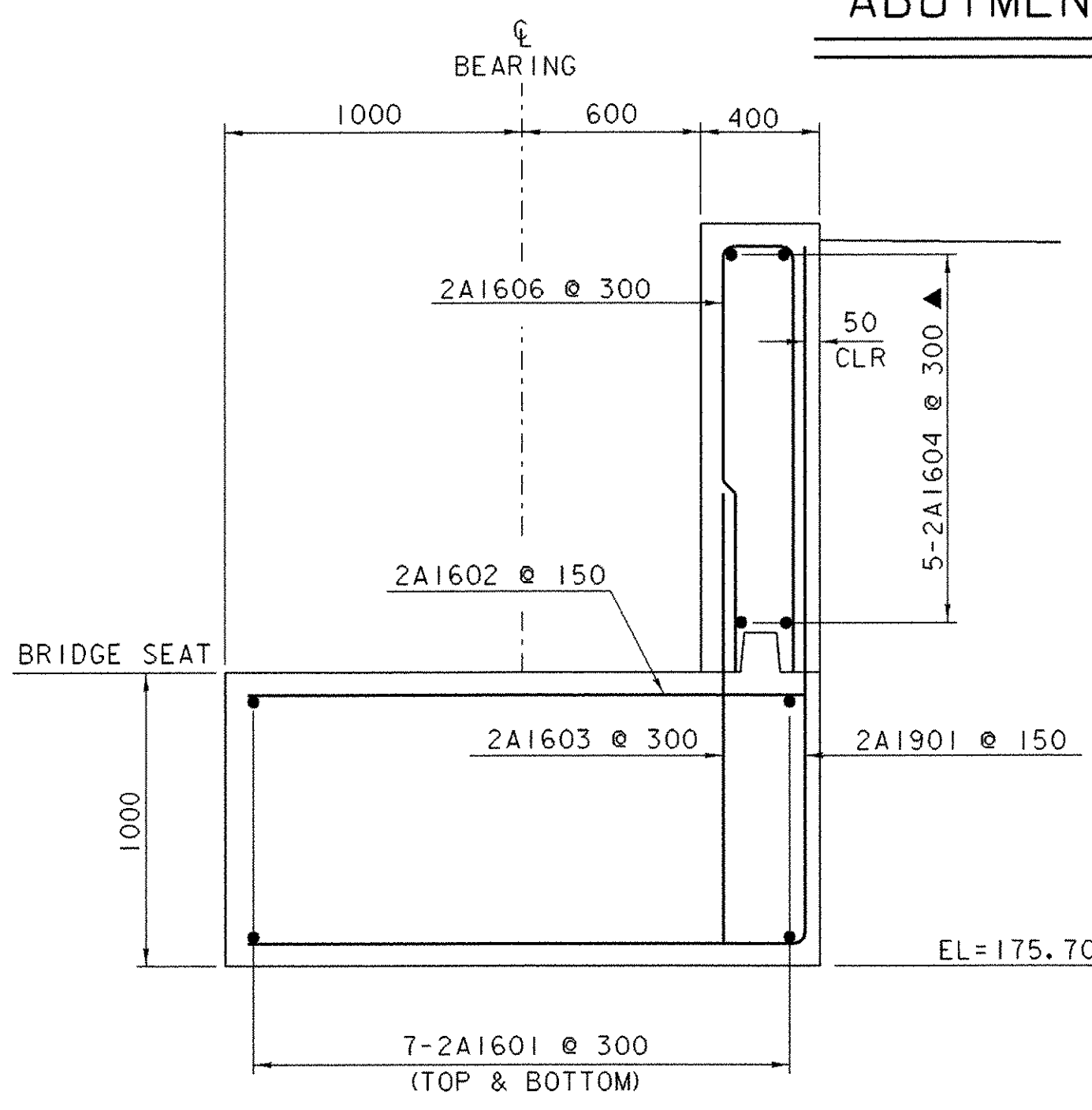
SCALE = 1:40

NOTE:
ALL DIMENSIONS AND ELEVATIONS SHOWN ALONG
BACKWALL ARE THEORETICAL. AFTER THE
BRIDGE IS IN PLACE ALL DIMENSIONS SHALL
BE VERIFIED AND ADJUSTED AS REQUIRED.



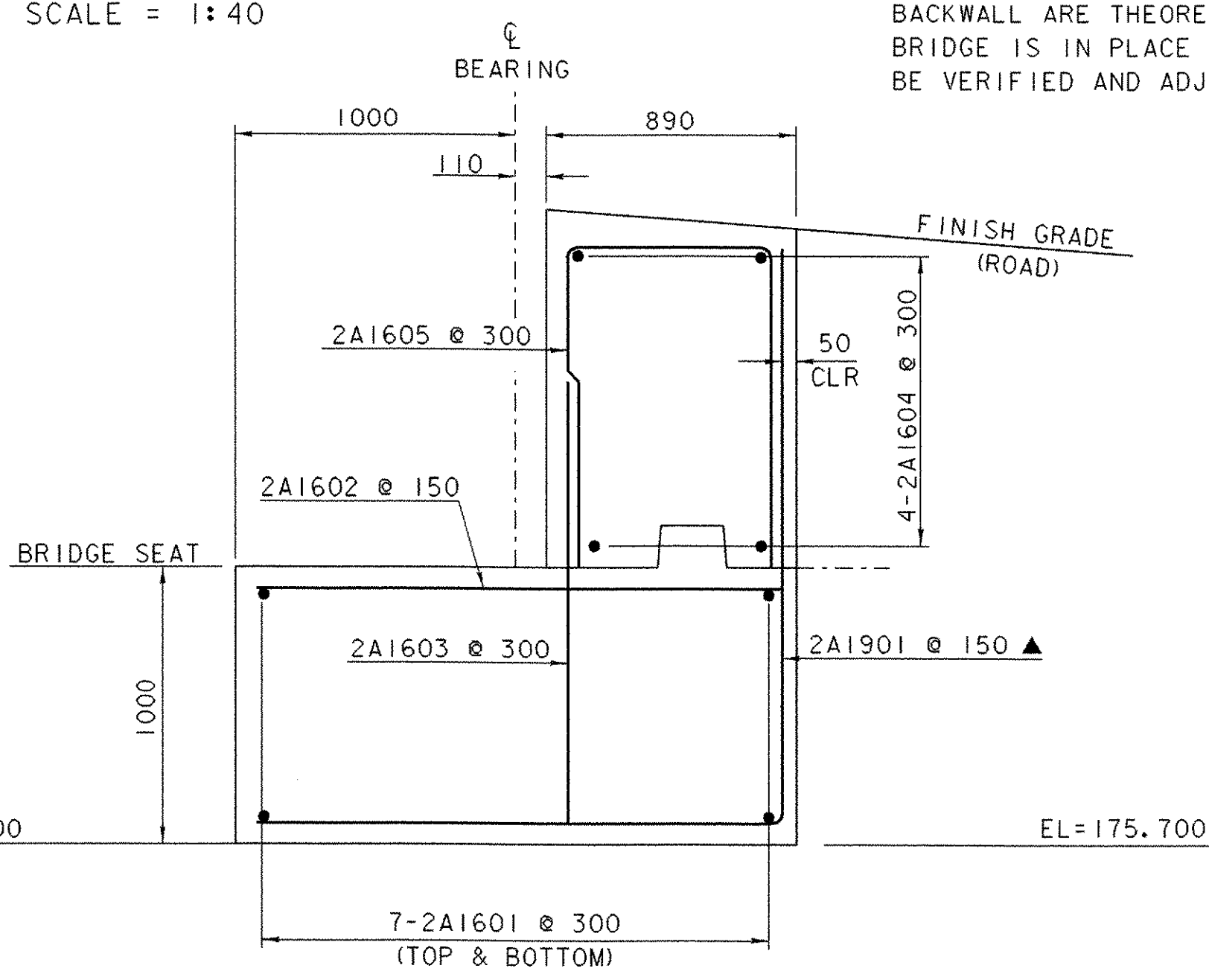
BACKWALL NO. 2 REINFORCEMENT PLAN

SCALE = 1:40



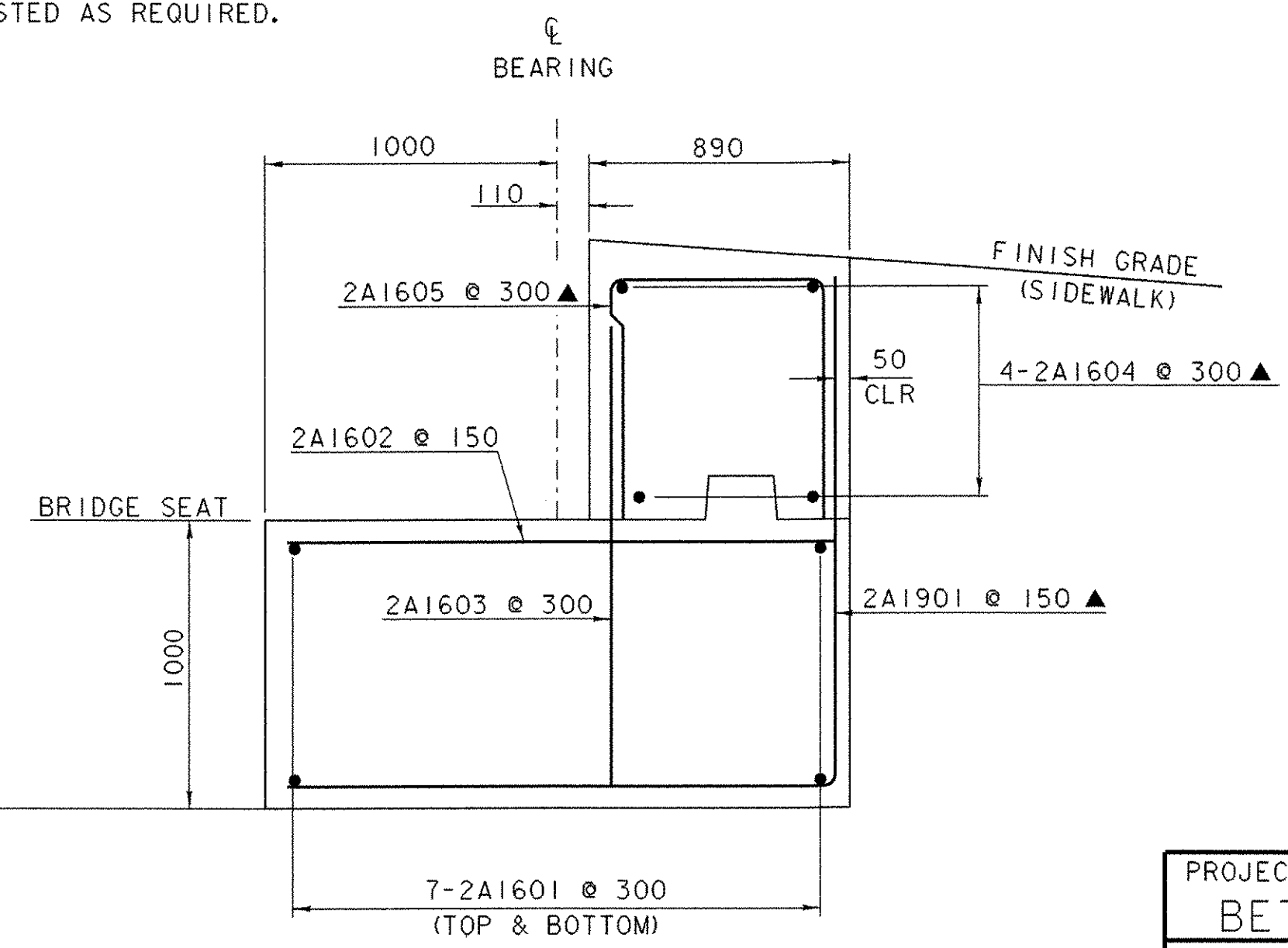
SECTION A-A

SCALE = 1:20



SECTION B-B

SCALE = 1:20



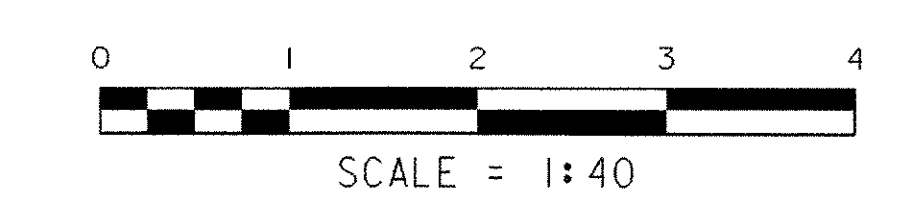
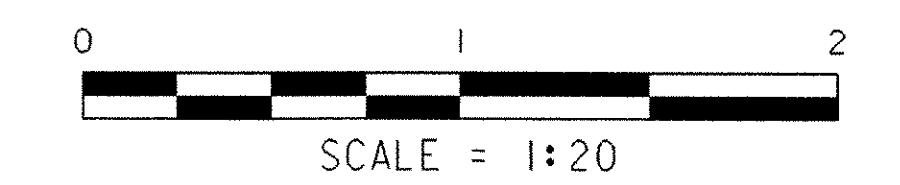
SECTION C-C

SCALE = 1:20

NOTE:
POUR BACKWALL AFTER
BRIDGE IS IN PLACE

NOTE:

- NF = NEAR FACE
- FF = FAR FACE
- EF = EACH FACE
- ▲ = CUT TO FIT IN FIELD
- 75 CLR. UNLESS OTHERWISE SPECIFIED ON THE PLANS.
- ALL LAPS 660 UNLESS OTHERWISE SPECIFIED ON THE PLANS.



PROJECT: BETHEL	PROJECT NO.: BRF 0241 (33) - C1
DESIGN FILE NAME: 96j250/structures/sj250ab-cl.dgn	PLOT DATE: 09-JUL-2003
IPARM FILE NAME: s96j250ab2.i	DESIGNED BY: K. M. HIGGINS
SQUAD LEADER: C.P. WILLIAMS	CHECKED BY: C. P. WILLIAMS
ABUTMENT NO. 2 DETAILS	SHEET: 25 OF 47