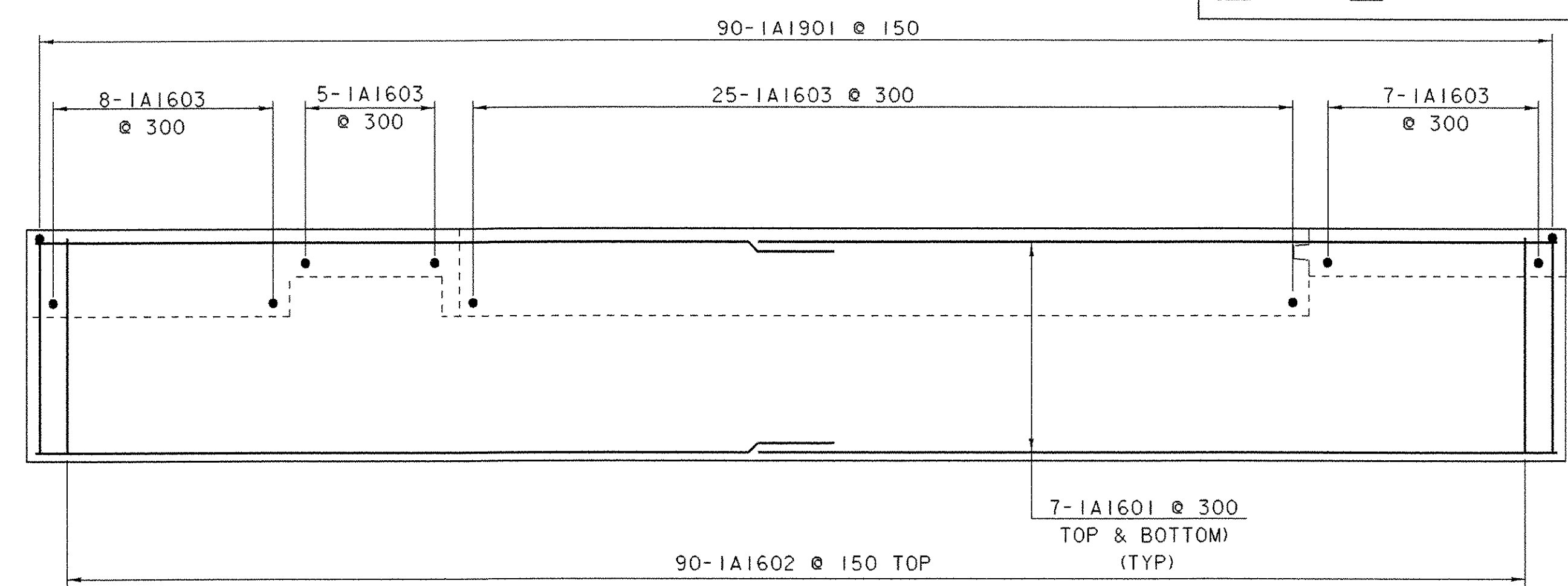


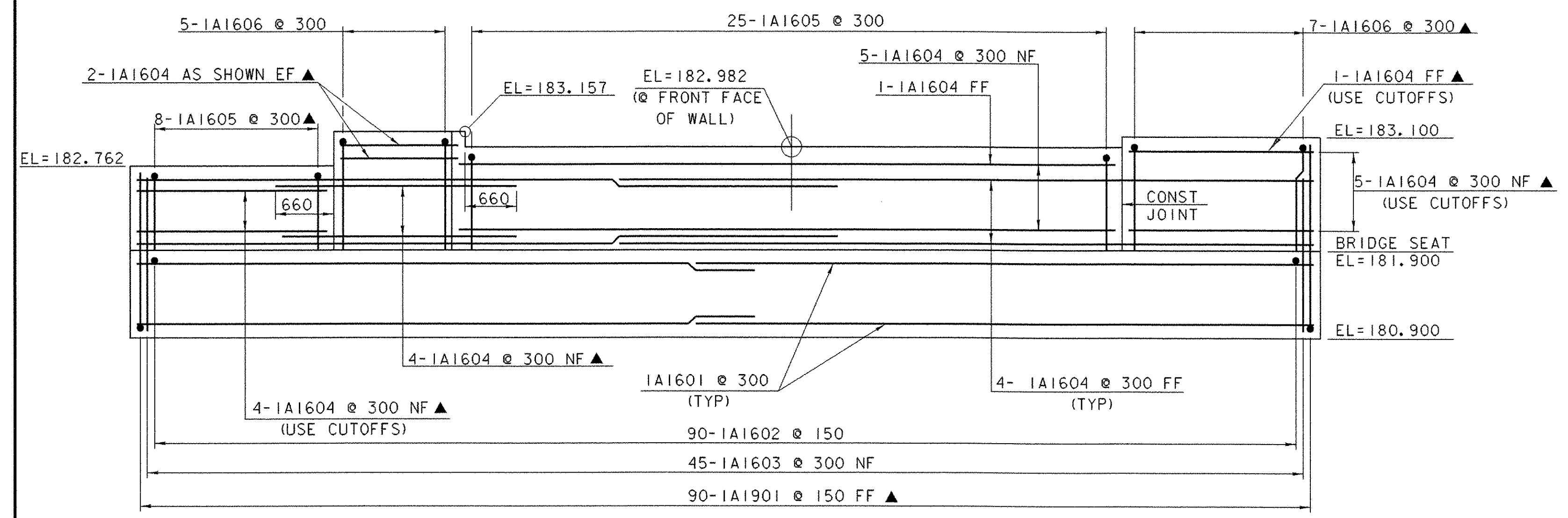
ABUTMENT NO. 1 DIMENSION PLAN

SCALE = 1:40



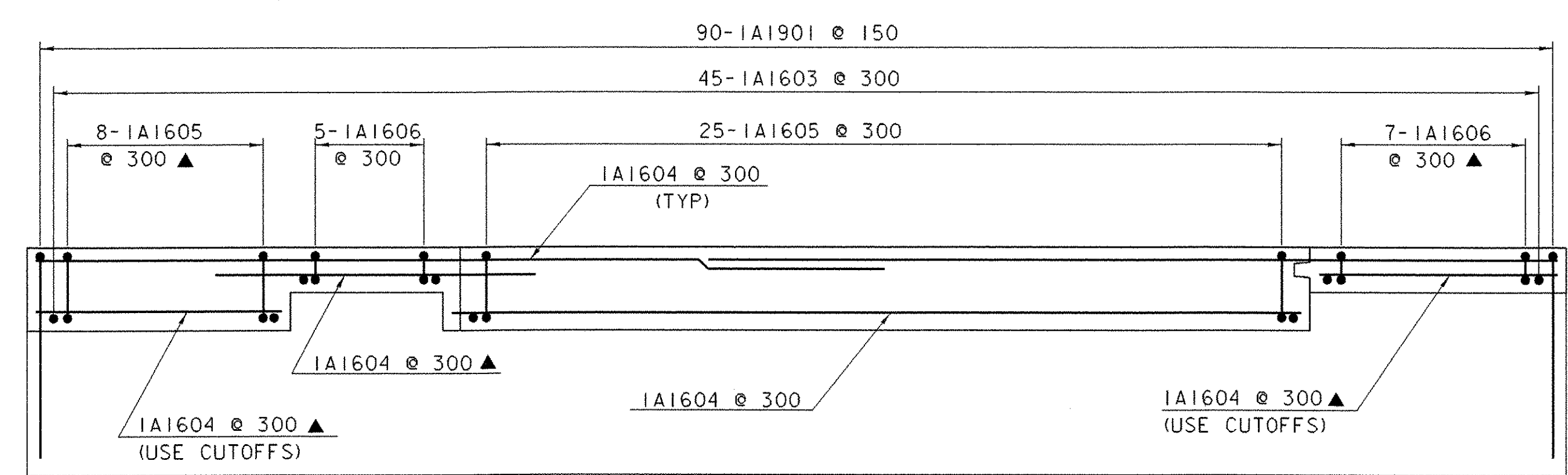
BRIDGE SEAT NO. 1 REINFORCEMENT PLAN

SCALE = 1:40



ABUTMENT NO. 1 ELEVATION

SCALE = 1:40

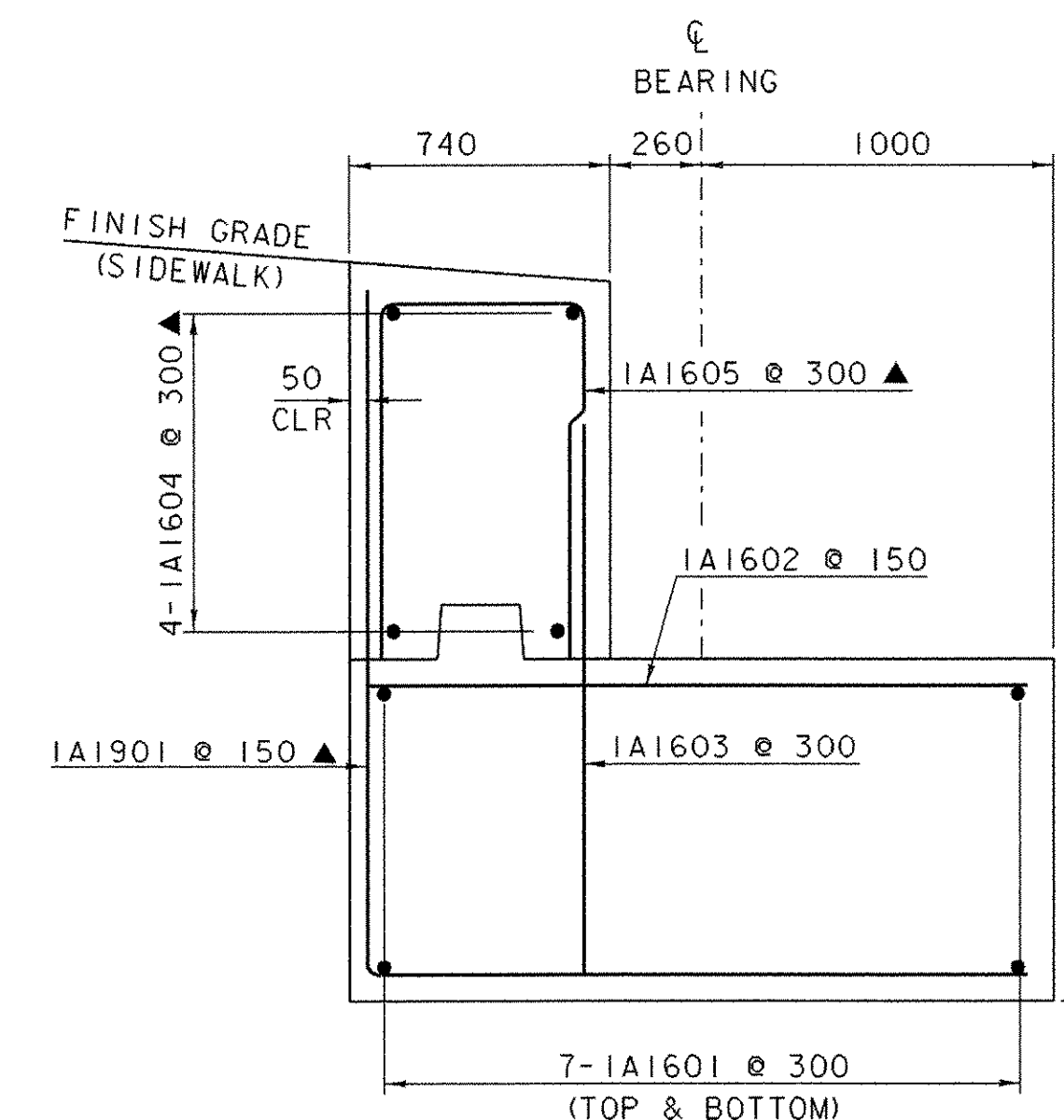


BACKWALL NO. 1 REINFORCEMENT PLAN

SCALE = 1:40

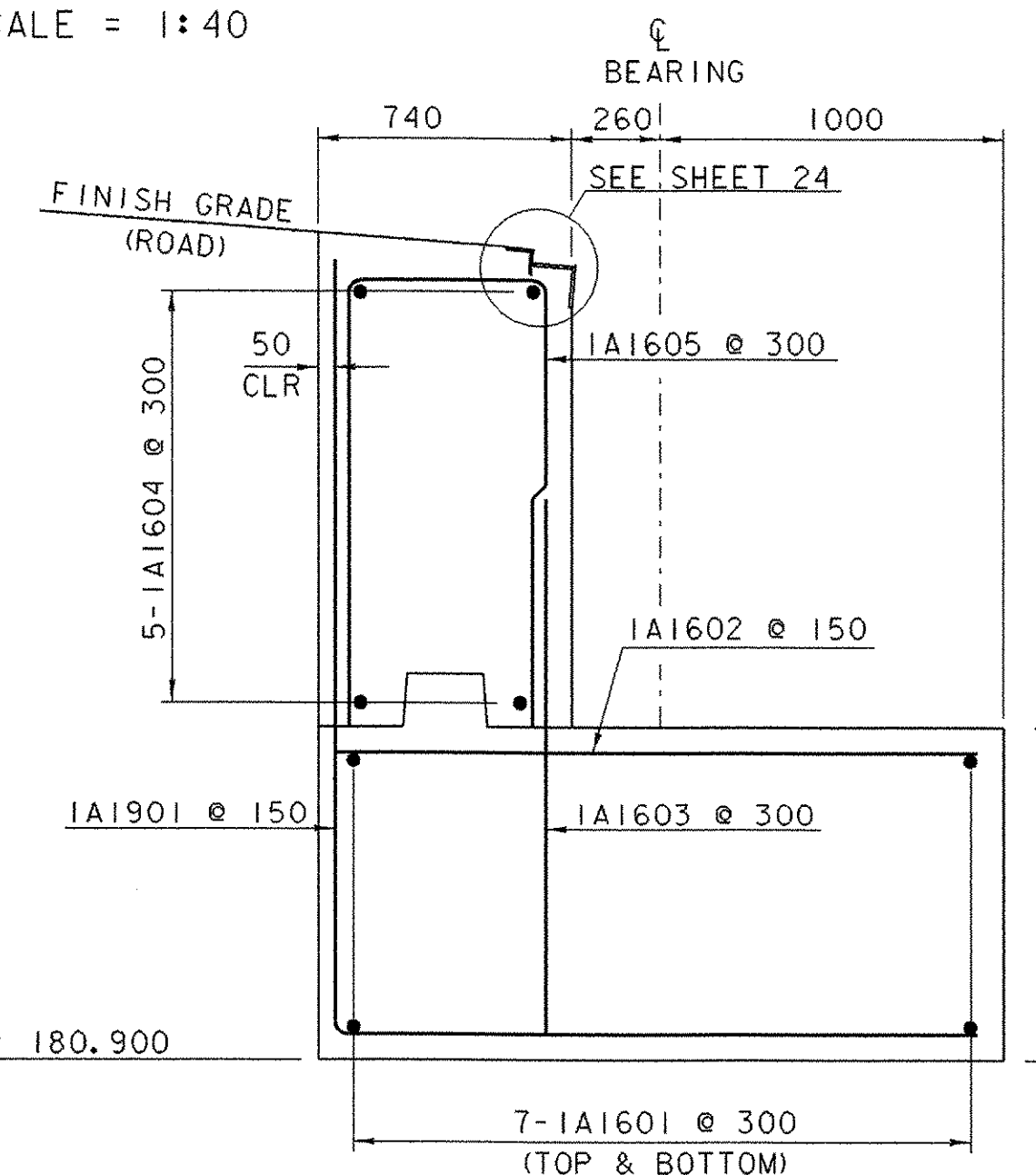
NOTE:
ALL DIMENSIONS AND ELEVATIONS SHOWN ALONG BACKWALL ARE THEORETICAL. AFTER THE BRIDGE IS IN PLACE ALL DIMENSIONS SHALL BE VERIFIED AND ADJUSTED AS REQUIRED.

NOTE:
NF = NEAR FACE
FF = FAR FACE
EF = EACH FACE
▲ = CUT TO FIT IN FIELD
75 CLR. UNLESS OTHERWISE SPECIFIED ON THE PLANS.
ALL LAPS 660 UNLESS OTHERWISE SPECIFIED ON THE PLANS.



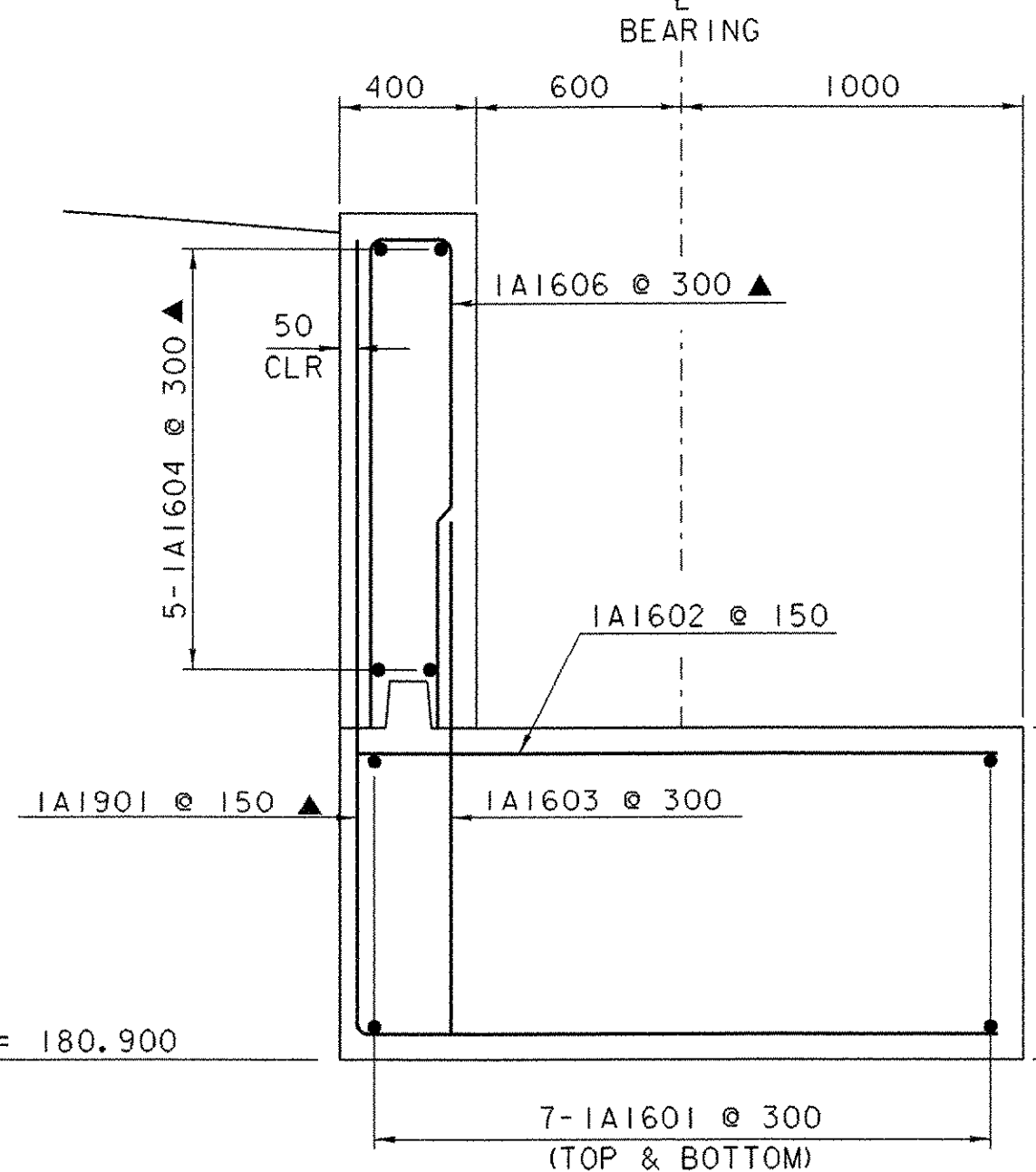
SECTION C-C

SCALE = 1:20



SECTION B-B

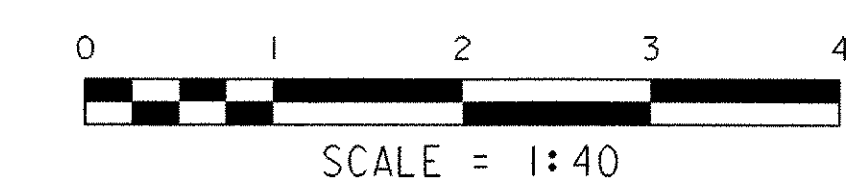
SCALE = 1:20



SECTION A-A

SCALE = 1:20

NOTE:
POUR BACKWALL AFTER BRIDGE IS IN PLACE



PROJECT: BETHEL	PROJECT NO.: BRF 0241 (33) - C1
DESIGN FILE NAME: 96j250/structures/sj250ab-cl.dgn	PLOT DATE: 09-JUL-2003
IPARM FILE NAME: s96j250ab1.i	DRAWN BY: K. M. HIGGINS
SQUAD LEADER: C. P. WILLIAMS	CHECKED BY: C. P. WILLIAMS
ABUTMENT NO. 1 DETAILS	SHEET: 23 OF 47