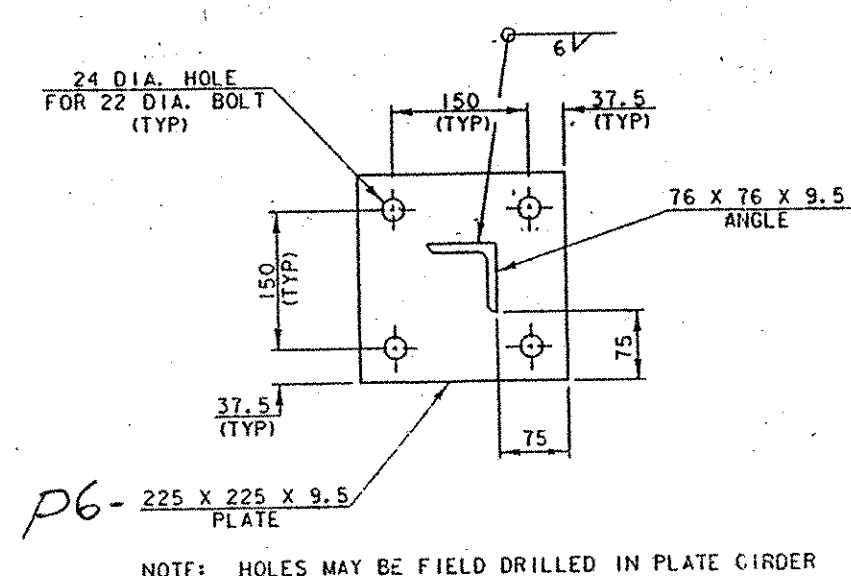
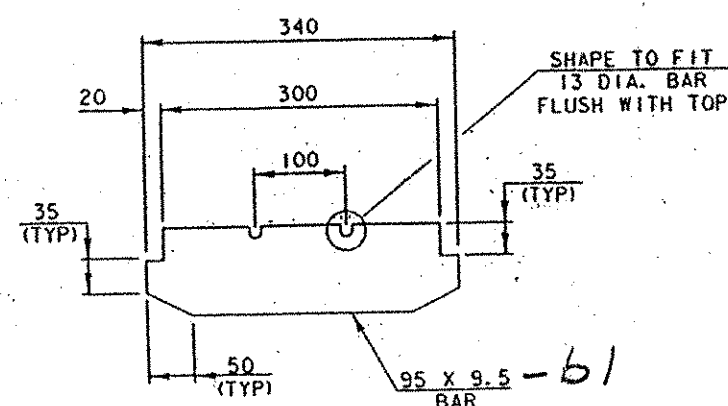
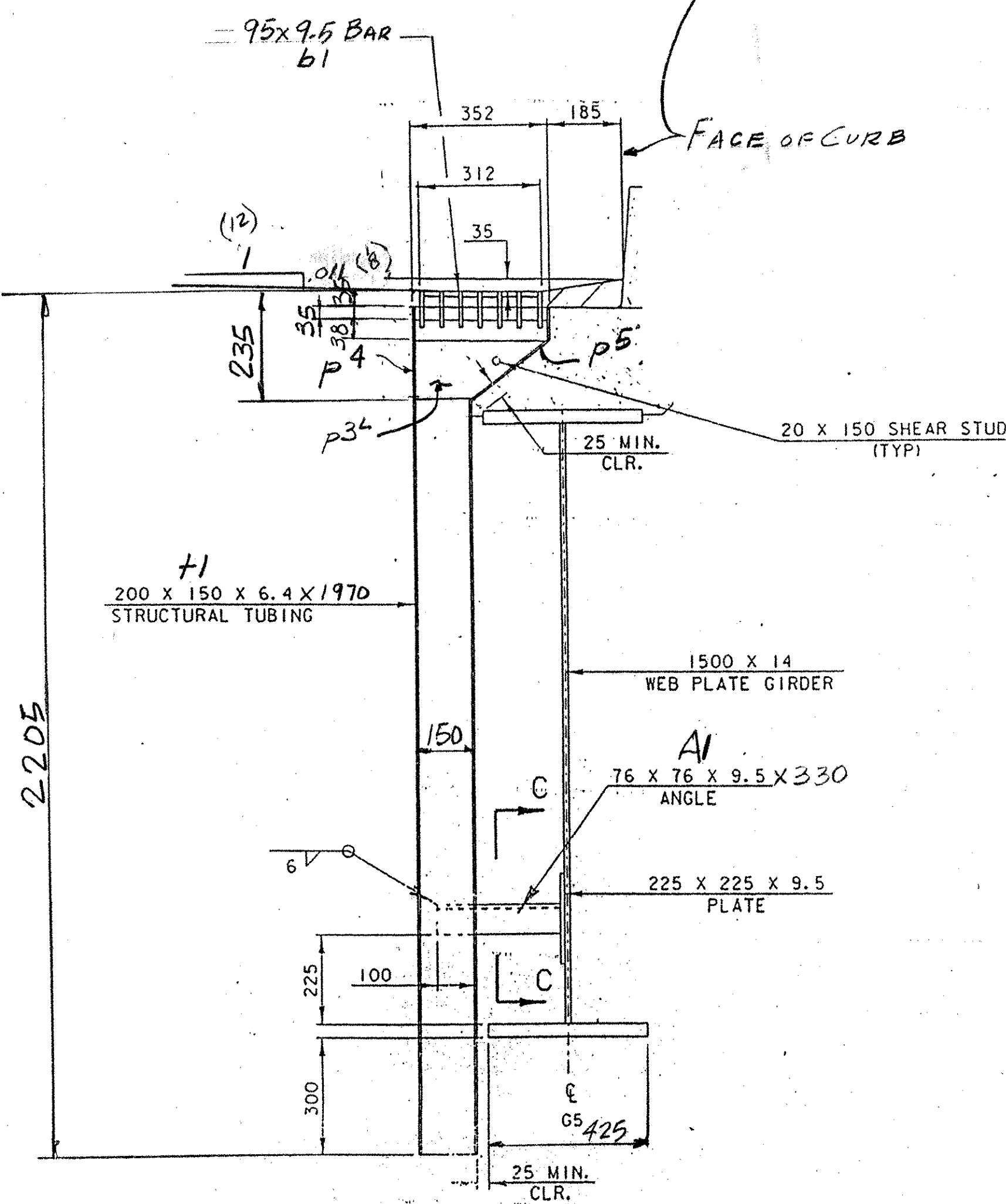
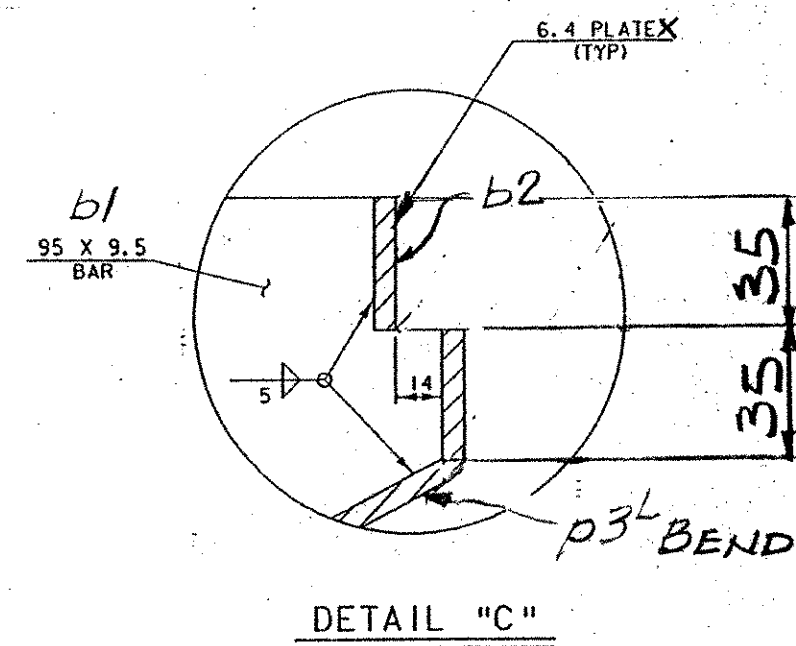
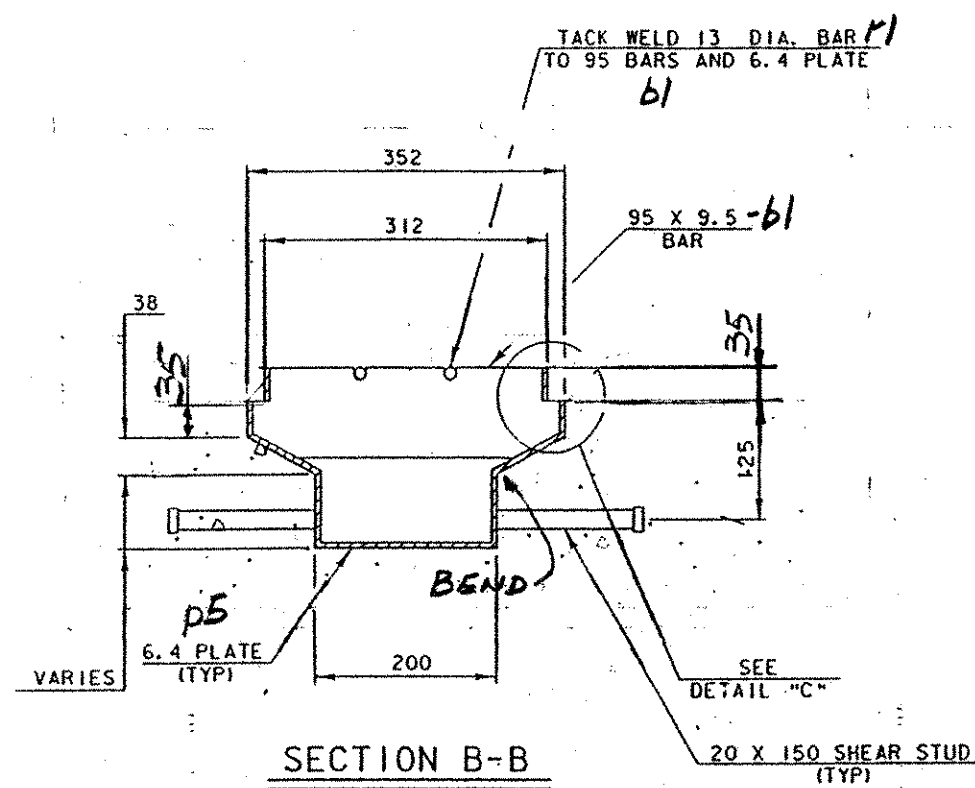
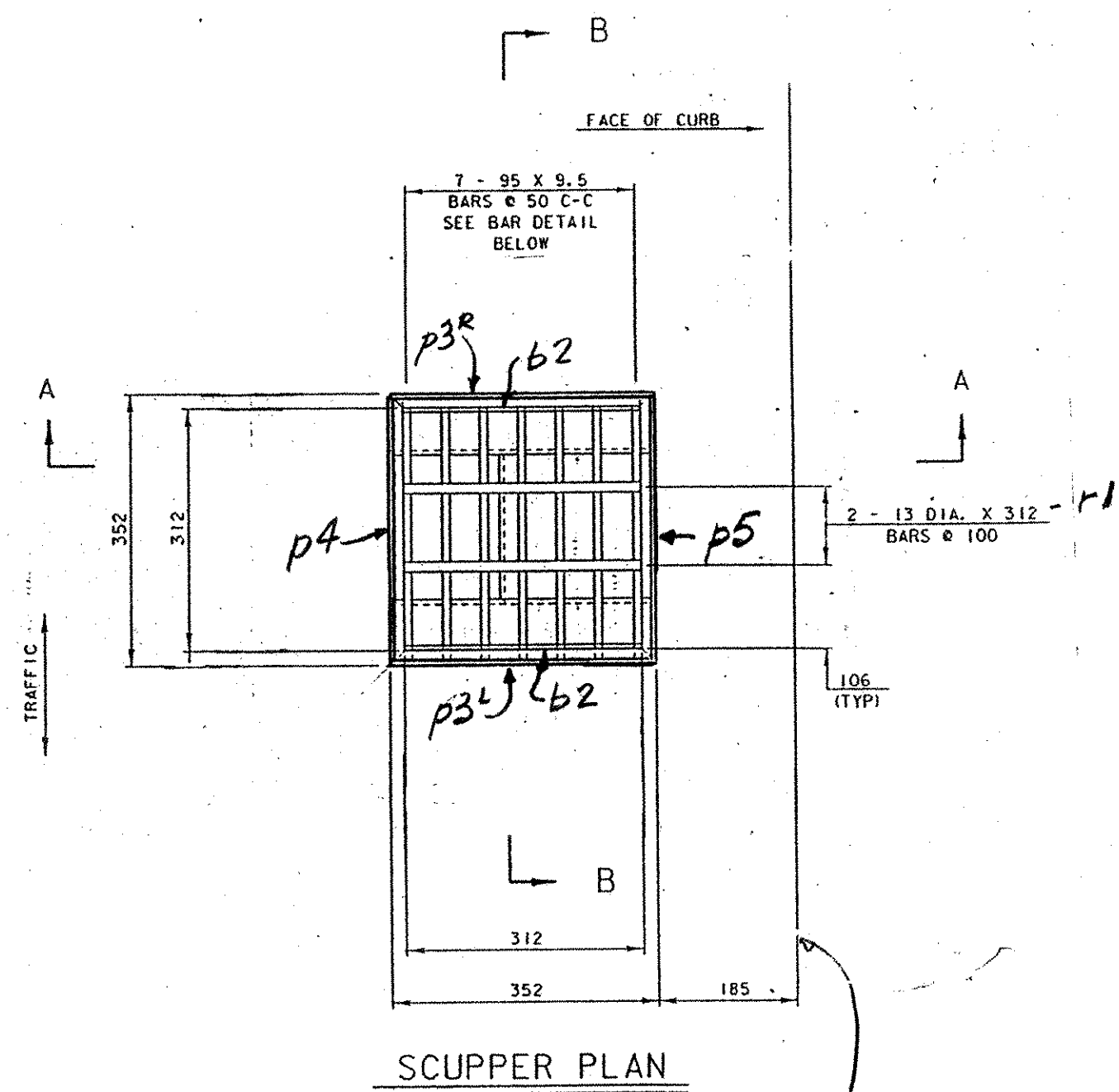


AQM INFO		SHOP BILL			JOB NO.	DRG. NO.		
PAGE	LINE	NO.	DESCRIPTION	mm	ASSEM. MARK	SHIPPING MARK	REMARKS	WEIGHT
		1	SCUPPER	2205		SC1		-
		1	75200X150X6.4	1970	f1		A500-G6.B	145#
		7	BAR 95 X 9.5	340	b1			38
		2	BAR 35 X 6.4	312	b2			2
		2	R 6.4 X 247	352	p3 <sup>R</sup>		BEND	19
		1	R 6.4 X 197	339	p4		BEND	5
		1	R 6.4 X 327	339	p5		BEND	12
		2	13mm <sup>Ø</sup> ROD	312	f1			1
		1	L 76 X 76 X 9.5	330		A1		8
		1	R 9.5 X 225	225	p6			8
		4	M22 <sup>Ø</sup> H/S BOLTS	57		FIELD	MMA-TYP III NEW	
								TOTAL WT. 238 lbs (107.82 KG)
								PAY ITEM 506.60



SECTION A - A

SCI-ONE REQ'D

RECEIVED  
 OK'D BY Was OK'D BY RST  
 OCT 14 2002  
 RESUBMIT APPROVED  
 BY WRS DATE 10/17/02

PLANS DRAWN USING  
**METRIC**  
 DIMENSIONS

OUT FOR APPROVAL	7-26-02								
OUT FOR APPROVAL	DATE 10-7-02								
ISSUED TO SHOP									
FIELD & OFFICE									

REV.	REMARKS	DATE	DWN	CHK	APP	Q.A.	NO.	DIA.	LGT	TYPE	WASHER
	PROJECT NO. STP 0113 (SB) S STATE PROJECT NO.										
	MATERIAL: AASHTO ELECTRODES: PER HOLES: AS NOTED SHOP BOLTS: SURFACE PREP. & PAINT:										

GALV. AFTER FAB. (AASHTO-M111)

DESCRIPTION: SCUPPER	DRAWN BY	DATE
JOB: U.S. ROUTE 5	JPF	7-02
BRIDGE No. 161	CHKD BY	E.J.
BARTON, VT.	APPROV BY	(Signature)
CUSTOMER: WINTER SET	Q.A.	
CASCO BAY STEEL STRUCTURES, INC.	JOB NO.	DRG. NO.
75 SPRING HILL ROAD SACO, MAINE 04072	164	M1
PHONE (207) 282-7360 FAX. (207) 282-1179	REV.	△