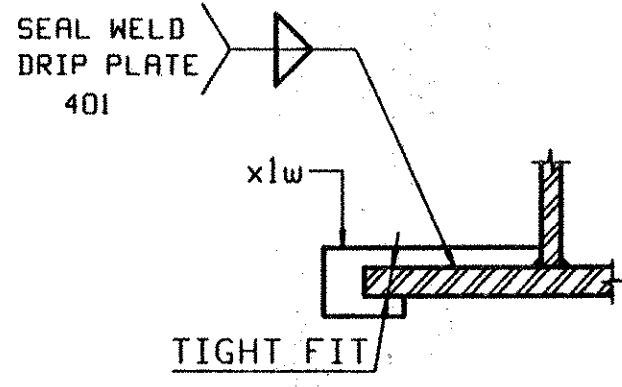
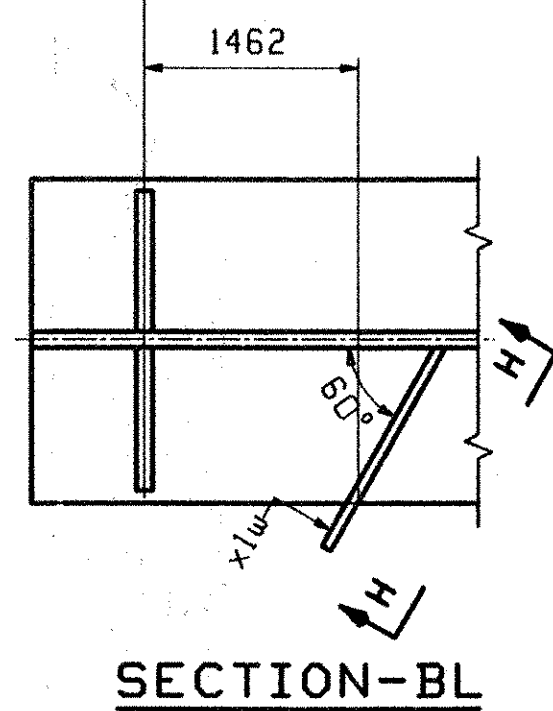
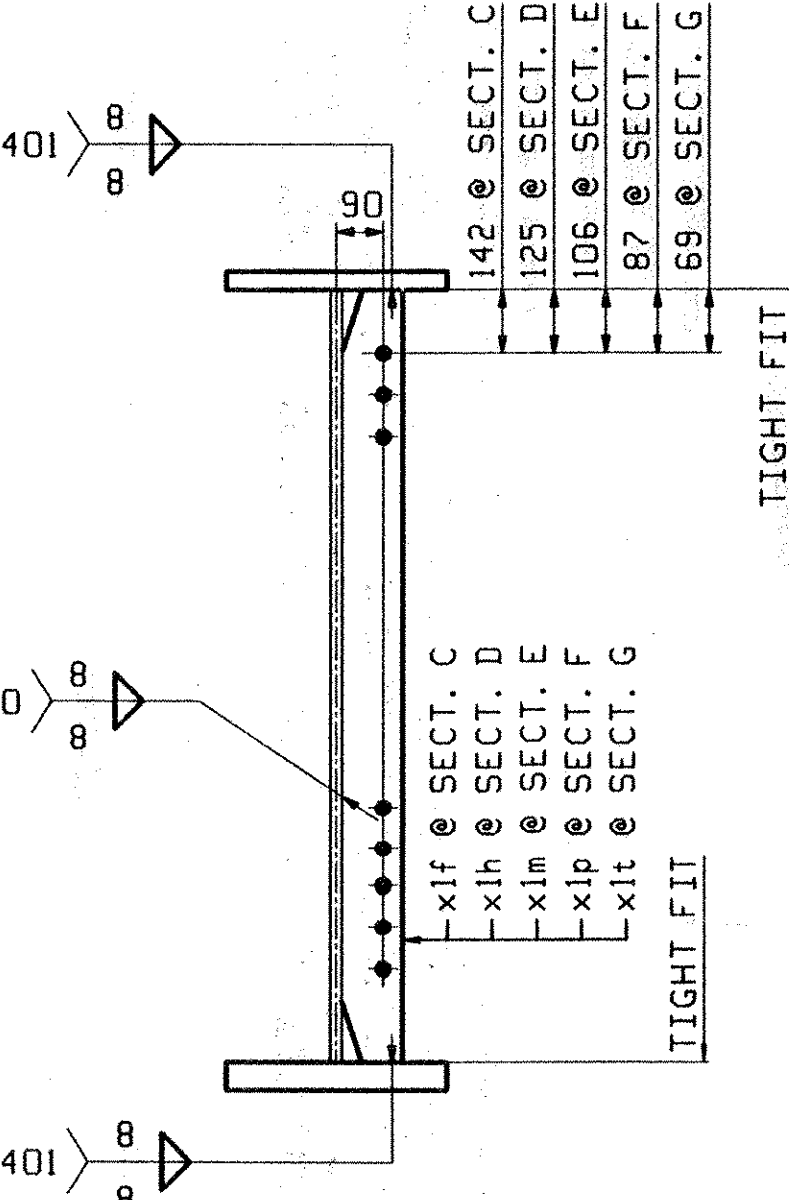
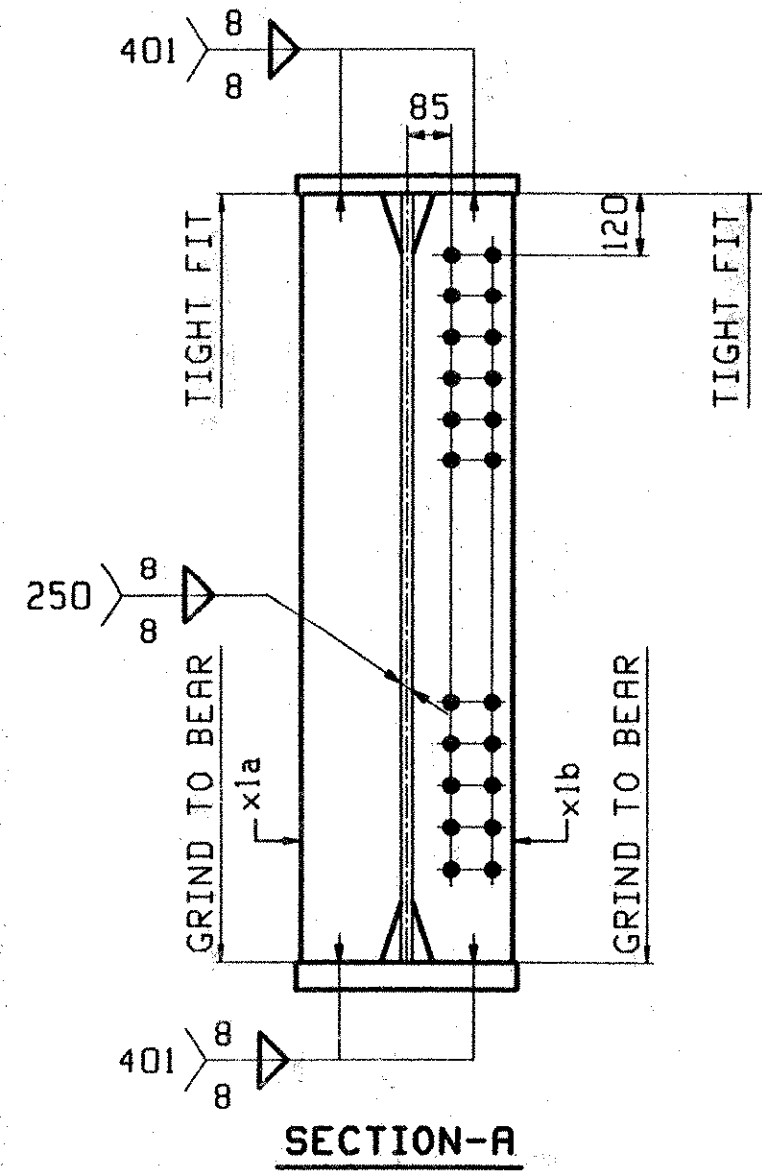


ONE - GIRDER - G5A

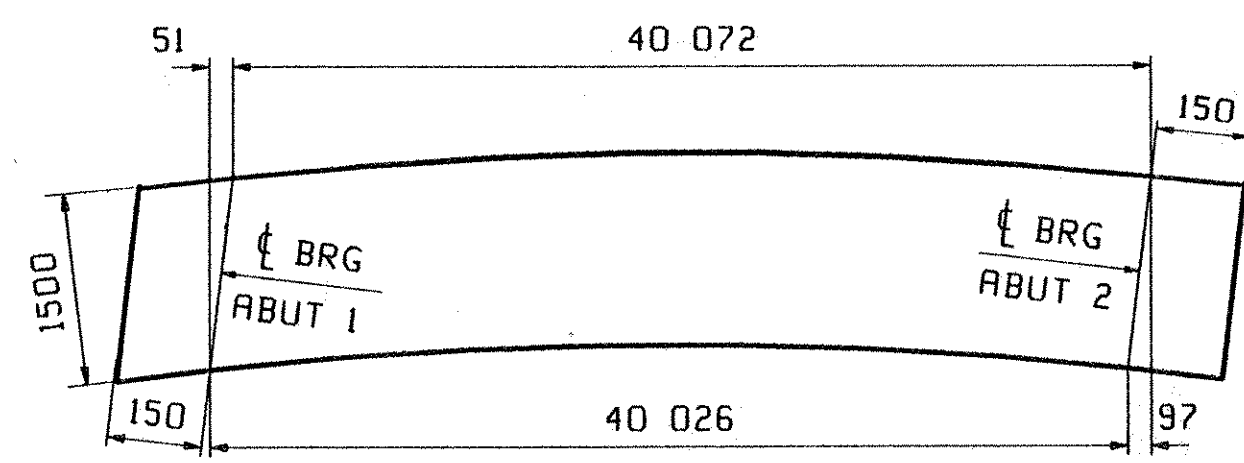
1. FOR GIRDER STANDARD DETAILS SEE DRAWING X1.
2. FOR CAMBER AND FLANGE DIAGRAMS SEE DRAWING C1.
3. FOR GENERAL NOTES SEE DRAWING GNI.



SECTION-H



SECTION-C
SECTION-D
SECTION-E
SECTION-F
SECTION-G



ORIENTATION DIAGRAM
 FOR CAMBER SEE DWG. C1

ABM INFO		SHIP	BILL OF MATERIAL			JOB NO.	DRAWING NO.	REV.	
PAGE	LINE	MARK	QTY	MARK	MATERIAL	LENGTH	REMARKS	WT	PROCUREMENT NOTES
						m			
		G5A	1		GIRDER				13840 LBS 3055H LB
1	G		1	wa	PL 14x1555	19 869	(M270M-345MT2)	(H2-3)	
1	E		1	wb	PL 14x1559	20 574	(M270M-345MT2)	(H2-3)	
1	J		1	ta	PL 22x426	20 450			
1	L		1	tb	PL 22x426	19 922			
1	C		1	ba	PL 22x426	10 160	(M270M-345MT2)	(H2-3)	
1	A		1	bb	PL 32x426	20 030	(M270M-345MT2)	(H2-3)	
1	C		1	bc	PL 22x426	10 136	(M270M-345MT2)	(H2-3)	
2	B		2	xla	PL 22x200	1 500			
2	B		2	xb	PL 22x200	1 500			
2	C		1	xf	PL 14x127	1 500			
2	C		1	xlh	PL 14x127	1 500			
2	C		1	xlm	PL 14x127	1 500			
2	C		1	xlp	PL 14x127	1 500			
2	C		1	xlt	PL 14x127	1 500			
2	D		1	xlw	PL 6x72	0 291			DRIP BAR

OUT FOR APPROVAL	8/30/02								
ISSUED TO SHOP									
FIELD & OFFICE									

REV.	REMARKS	DATE	DWN	CHK	APP	Q.A.	NO.	DIA.	LGT	TYPE	WASHER
	MATERIAL: M270M-345W										
	ELECTRODES:										
	HOLES:										
	SHOP BOLTS:										

SURFACE PREP. & PAINT:
 -STEEL WITHIN 1500 OF ABUT. 2 END OF GIRDERS SHALL BE PAINTED (SEE GNI)
 -ALL OTHER STEEL SHALL BE BLAST CLEANED AND LEFT UNPAINTED.

DESCRIPTION: GIRDER - G5A		DRAWN BY	DATE
JOB: US Route 5 over Northern Vermont RR		PHG	08/23
BRIDGE NO. 161		CHKD BY	
BARTON, VERMONT (ORLEANS COUNTY)		JB	08/26
CONTRACTOR: WINTERSET		APPROV BY	
PROJ NO. AC STP 0113 (58) S		SUPERVISOR	M. J. GATTI
CUSTOMER: VERMONT AGENCY OF TRANSPORTATION		Q.A.	
CASCO BAY STEEL STRUCTURES, INC.		JOB NO.	DRG. NO.
75 SPRING HILL ROAD SACO, MAINE 04072		163	5
PHONE (207) 282-7360 FAX. (207) 282-1179		REV.	△

RECEIVED
 OK'D BY [Signature] OK'D BY [Signature]
 SEP 04 2002
 RESUBMIT APPROVED [Signature]
 BY CPW DATE 9/17/02