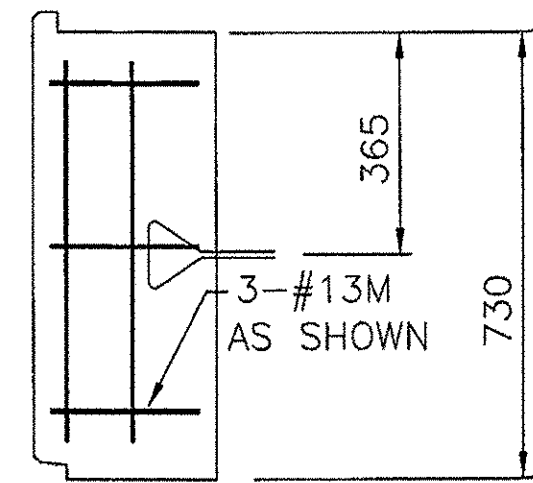
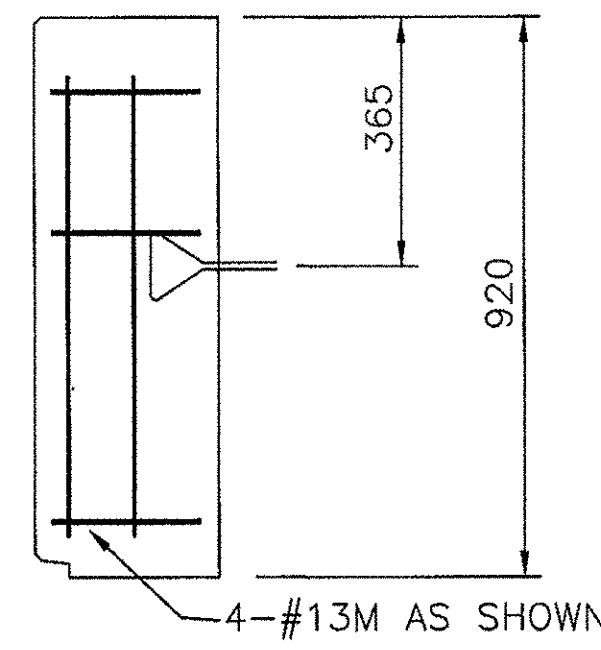


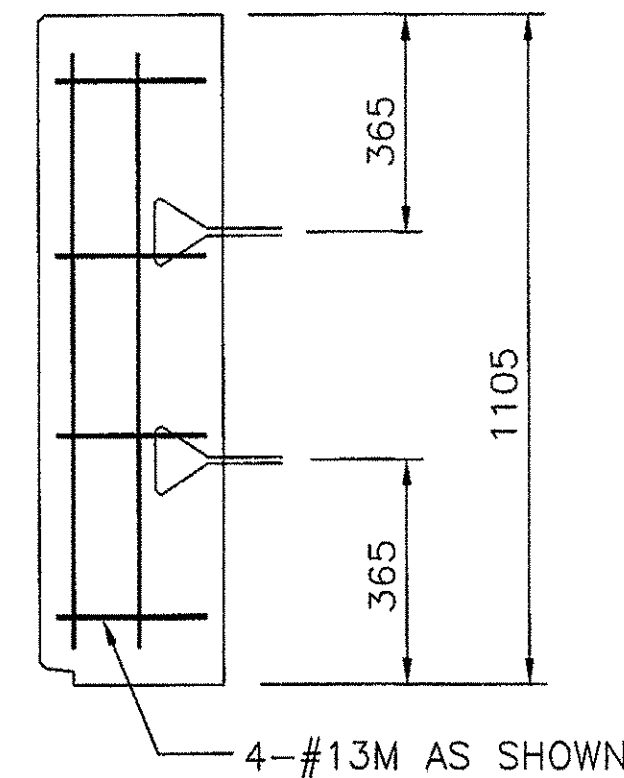
CE3A-2



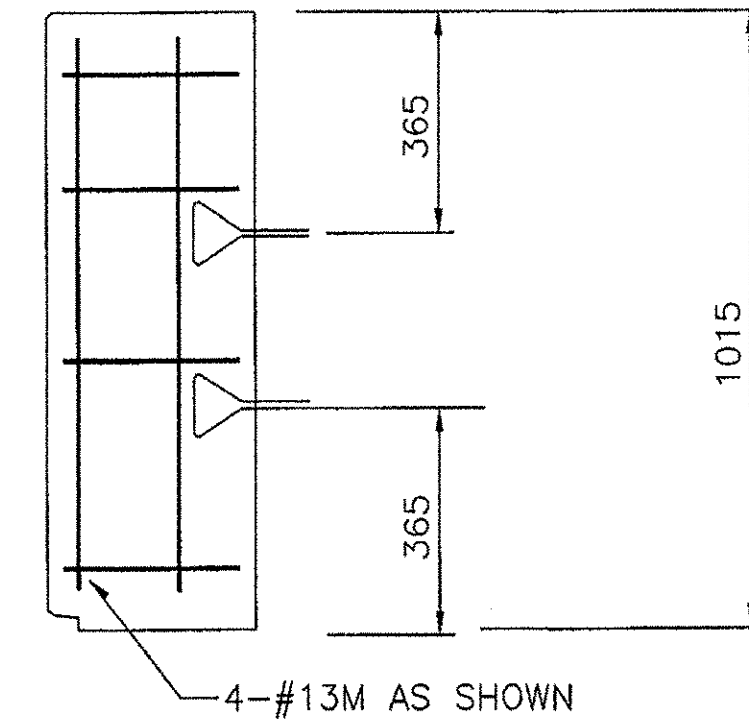
CE3B-1



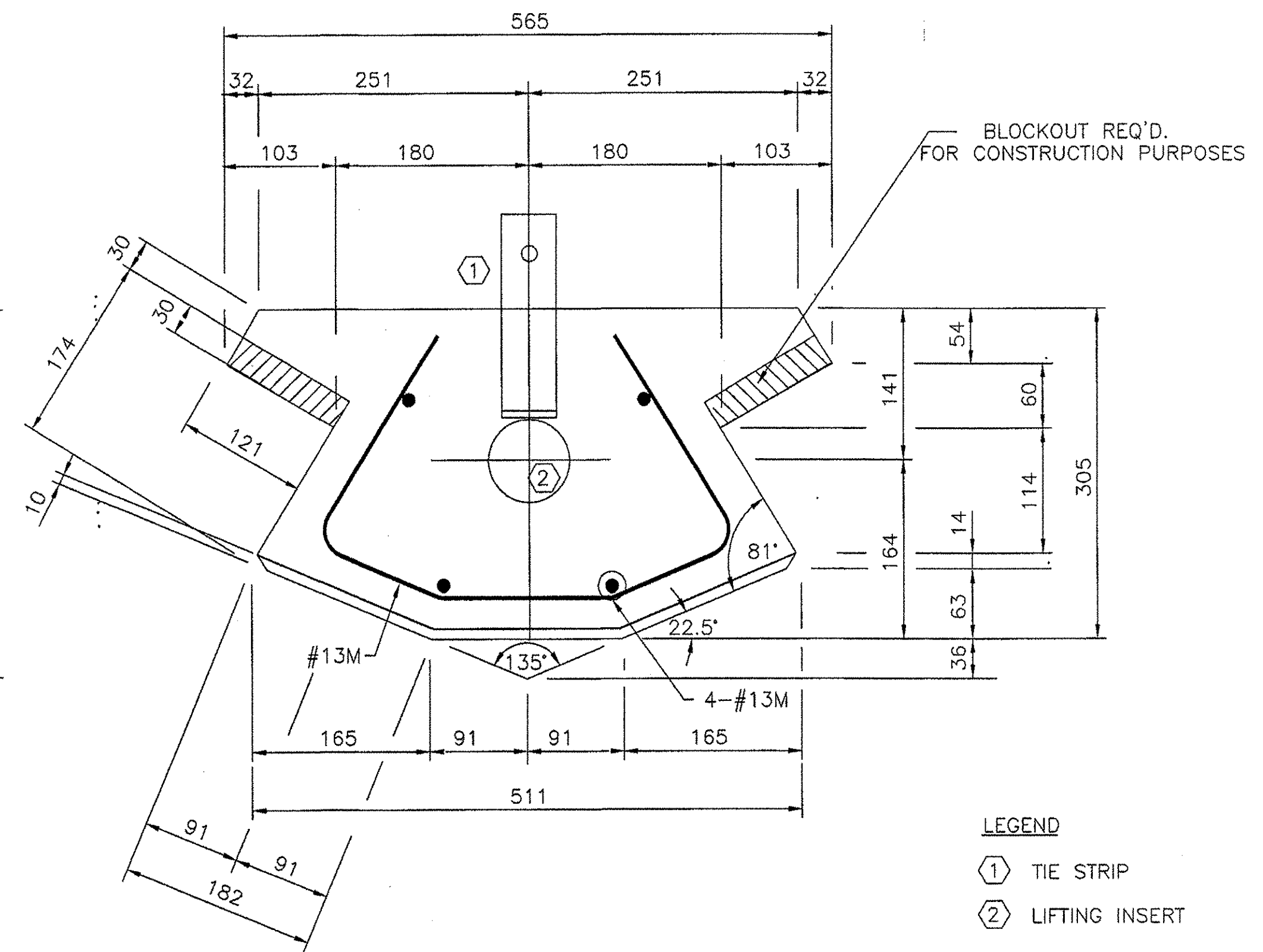
CE3E-1



CE3F-2



CE3FX-2

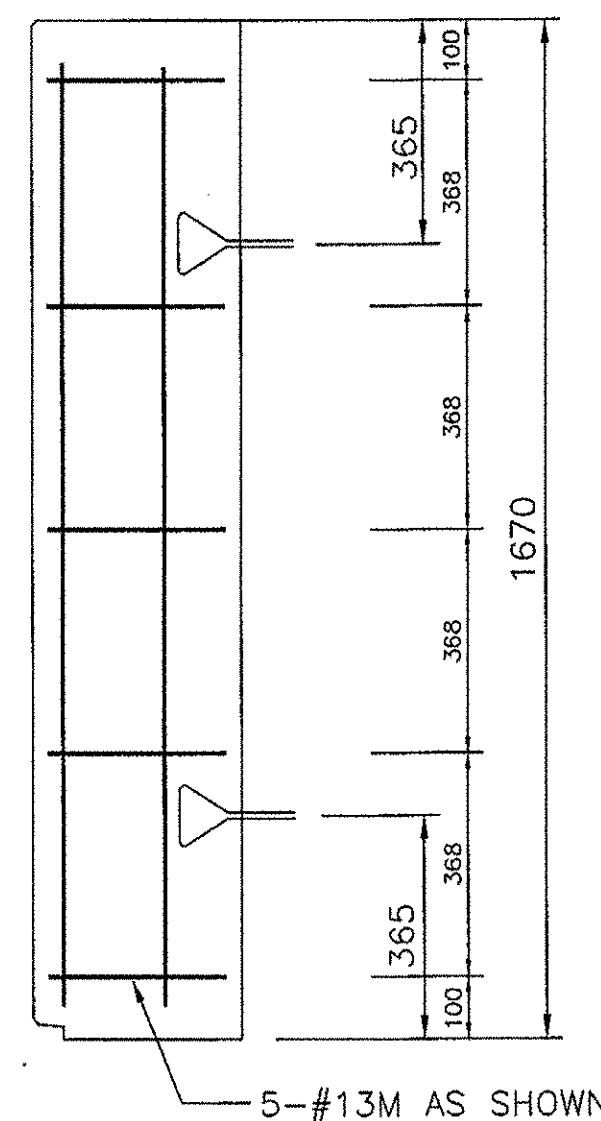


CORNER ELEMENT TYPE 3 118°± - 162°±  
SCALE: 1:5

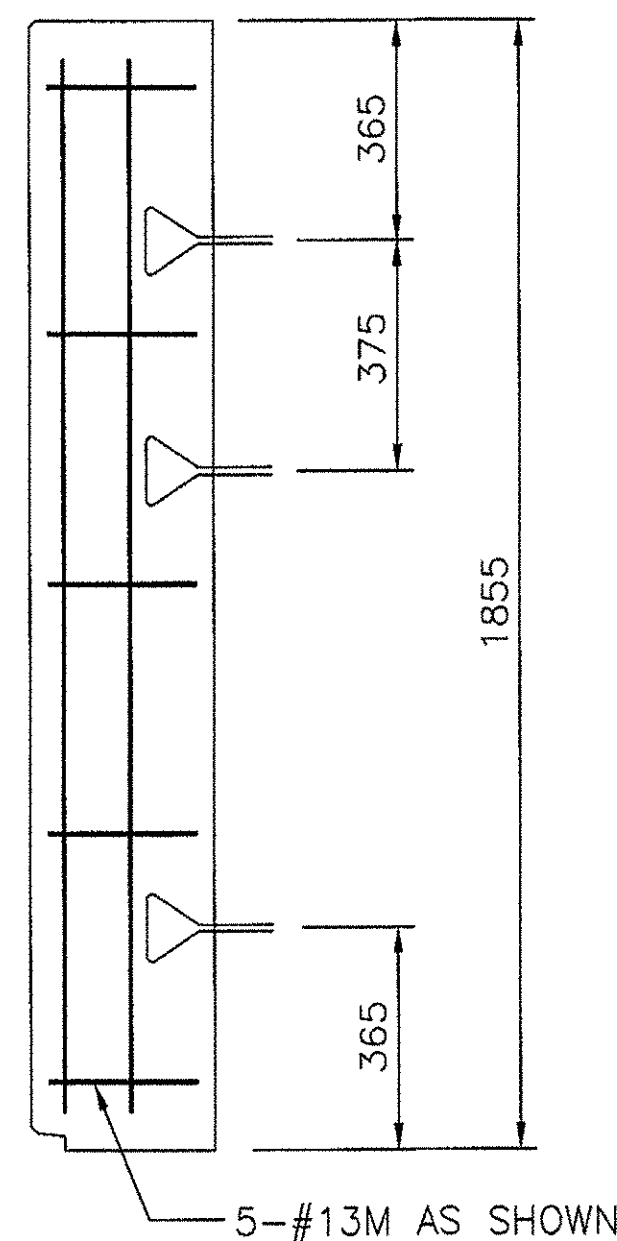
- LEGEND
- ① TIE STRIP
  - ② LIFTING INSERT

ALL DIMENSIONS ARE IN (mm) MILLIMETERS

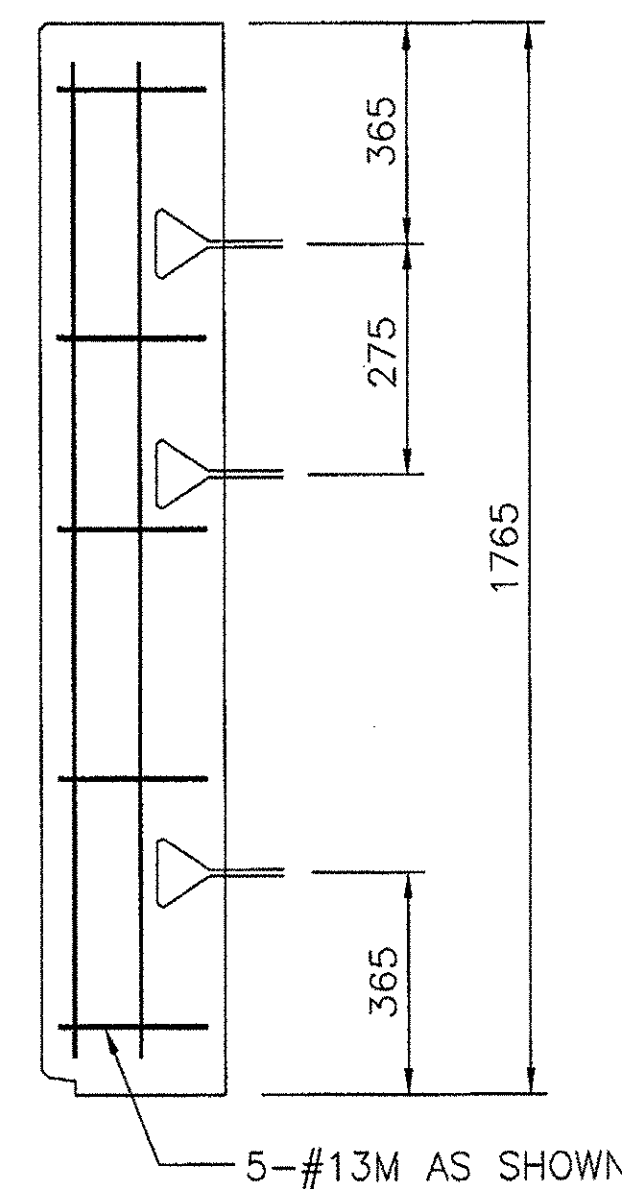
NOTE: 38 MIN. CLR. ON ALL REBAR.



CE3K-2

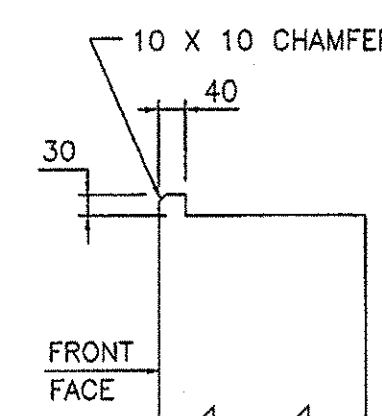


CE3L-3

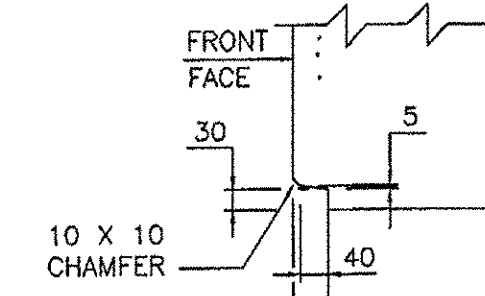


CE3LX-3

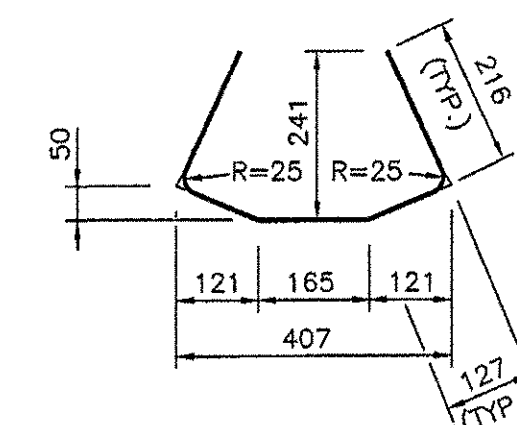
CORNER ELEMENT TYPICAL SECTIONS



DETAIL "A"  
SCALE: 1:20



DETAIL "B"  
SCALE: 1:20



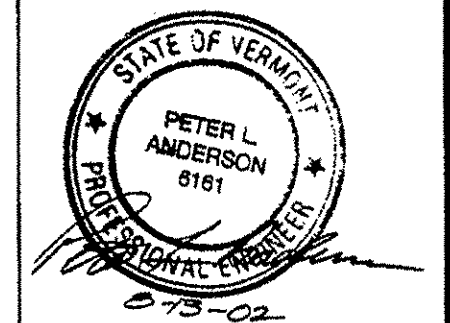
BAR DETAIL  
SCALE: 1:20  
(DIMENSIONS SHOWN ARE OUT TO OUT)

KEY TO PIECE MARK

- CE3A-2-R6
- PANEL REINFORCEMENT
- NO. OF TIE STRIPS
- PANEL HEIGHT
- TYPE
- CORNER ELEMENT

CERTIFIED WITH RESPECT TO THE INTERNAL STABILITY OF REINFORCED EARTH STRUCTURES ONLY

RECEIVED  
OK'D BY: \_\_\_\_\_ OK'D BY: *CPW*  
AUG 15 2002  
RESUBMIT APPROVED  
BY: *CPW* DATE: *8/15/02*



This drawing contains information proprietary to The Reinforced Earth Company, and is being furnished for the use of VT AOT only in connection with this project, and the information contained herein is not to be transmitted to any other organization unless specifically authorized in writing by The Reinforced Earth Company. The Reinforced Earth Company is exclusive licensee in the United States under patents issued to Henri Vidal, and the furnishing of this drawing does not constitute an expressed or implied license under the Vidal patents.

The design contained on these drawings is based on information provided by the owner. On the basis of this information, The Reinforced Earth Company has designed, and is responsible for the internal stability of the structure only. External stability, including foundation and slope stability, is the responsibility of the owner.



"REINFORCED EARTH" is the registered trademark of The Reinforced Earth Company.

|                      |         |   |                         |
|----------------------|---------|---|-------------------------|
| DESIGNED BY:<br>KPB  |         | PROJECT NAME<br>US ROUTE 5 - BARTON<br>PN STP 0113(58)S | DATE<br>6-11-02         |
| PROJECT ENGR:<br>KPB |         | LOCATION<br>COUNTY OF ORLEANS<br>VERMONT                | CONTRACT NO.<br>15765   |
| CHECKED BY:<br>PLA   | 8-12-02 | OWNER<br>VT AOT   | DRAWING NO.<br>S9 OF S9 |
| ENG. MANAGER<br>REV. | DATE    | DRAWING COVERS<br>CORNER ELEMENT DRAWINGS               | SCALE<br>AS SHOWN       |
|                      |         | DESCRIPTION   |                         |