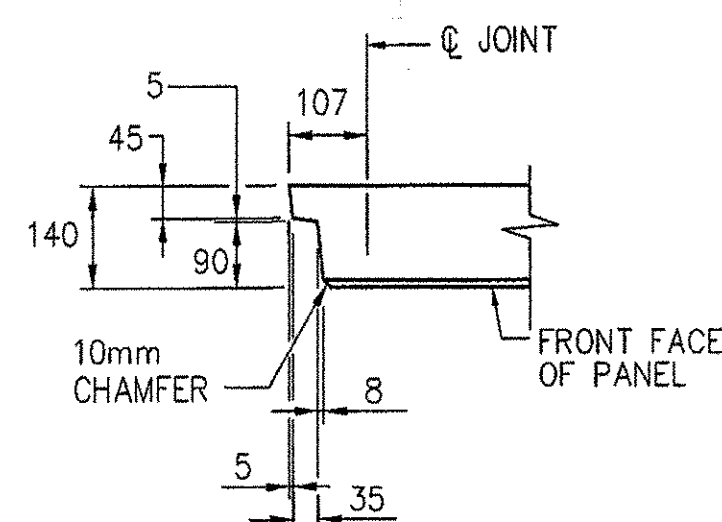
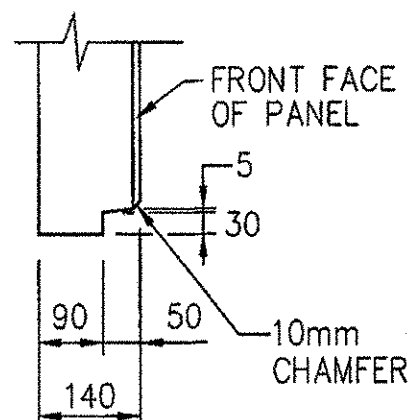


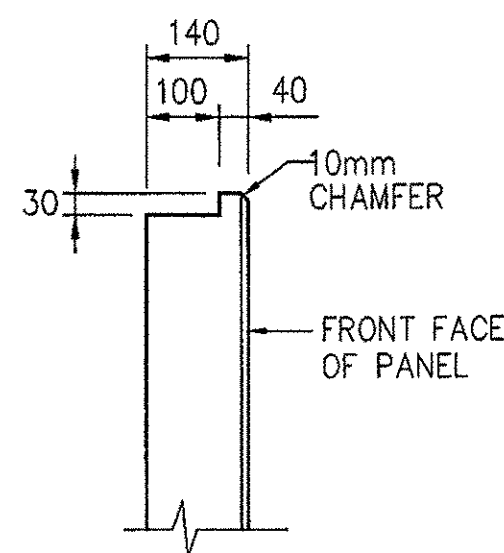
DETAIL "A"
SCALE: 1:10



DETAIL "B"
SCALE: 1:10

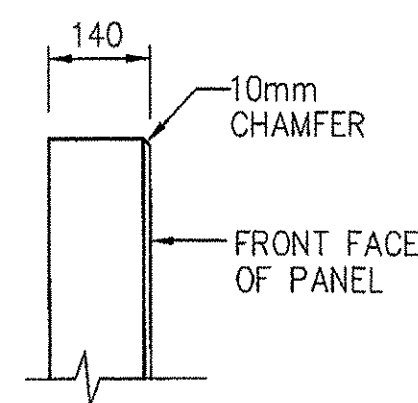


DETAIL "C"
SCALE: 1:10

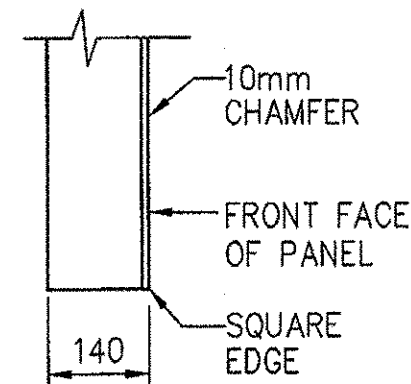


DETAIL "D"
SCALE: 1:10

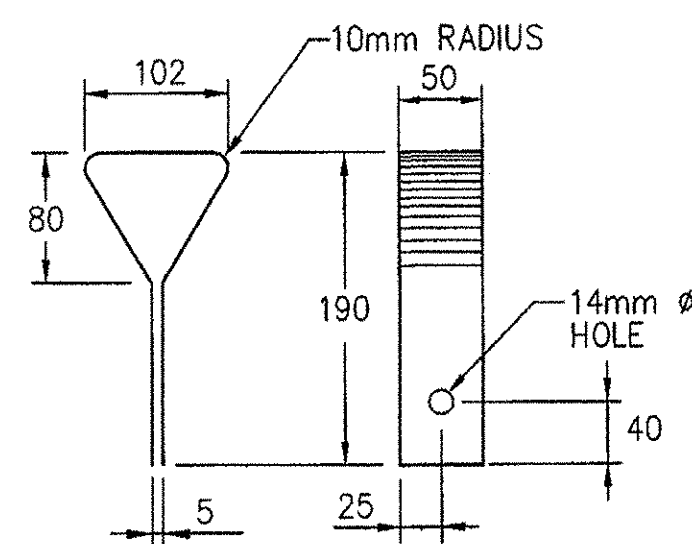
ALL DIMENSIONS ARE IN MILLIMETERS
UNLESS OTHERWISE NOTED



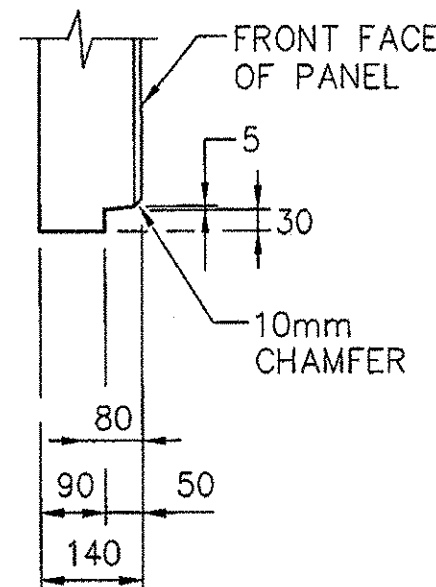
DETAIL "G"
SCALE: 1:10



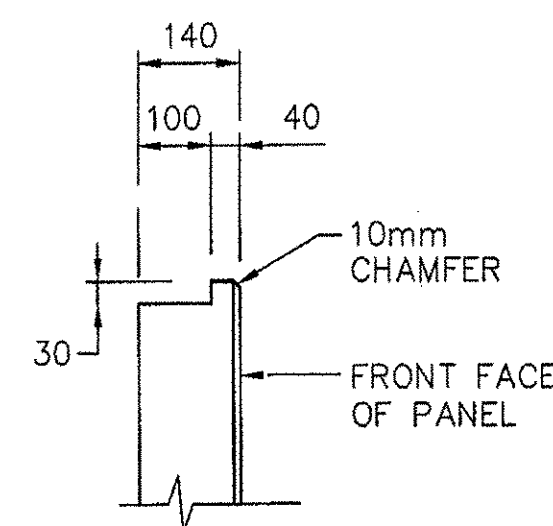
DETAIL "H"
SCALE: 1:10



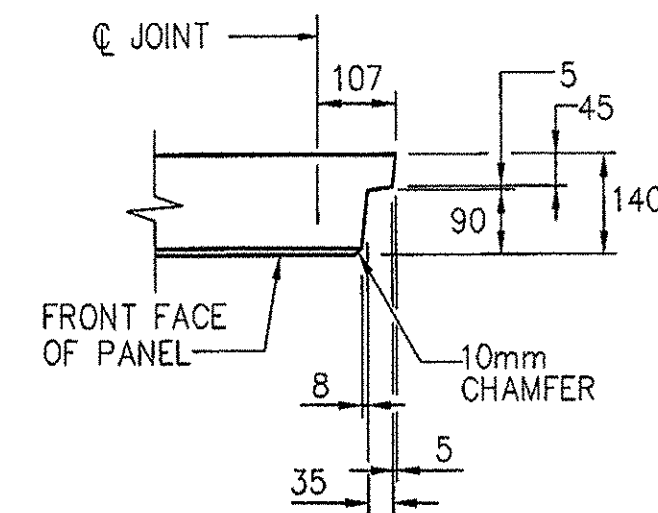
DETAIL "J"
SCALE: NONE
(GENERAL NOTE No. 5)
SHEET S1



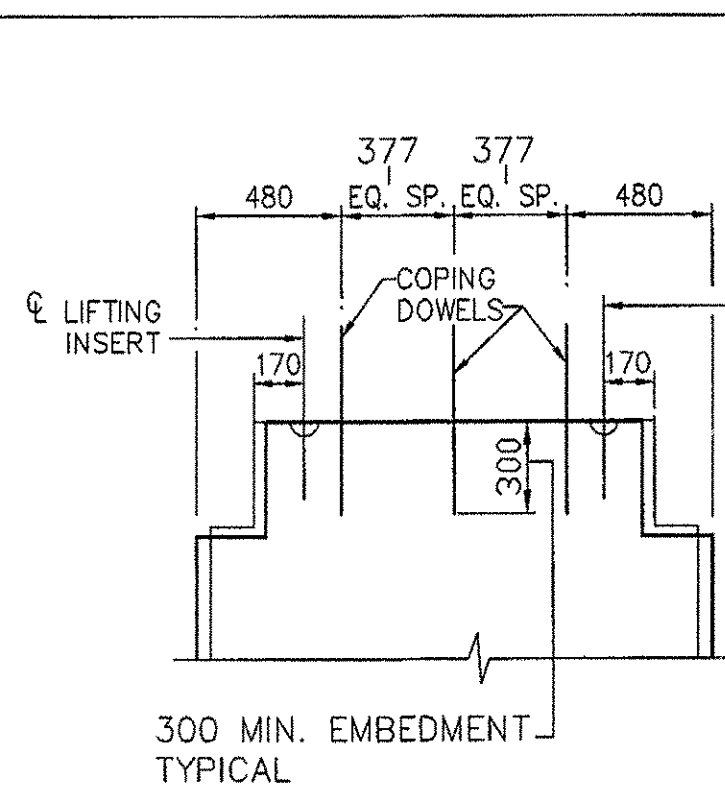
DETAIL "K"
SCALE: 1:10



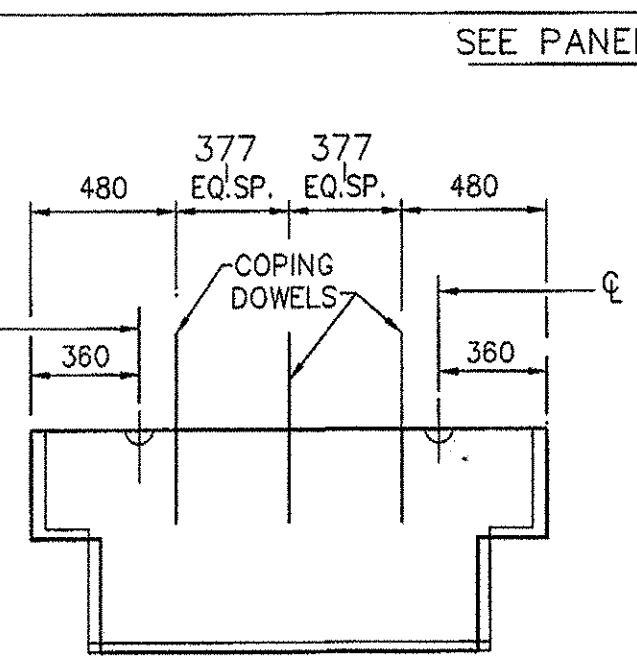
DETAIL "L"
SCALE: 1:10



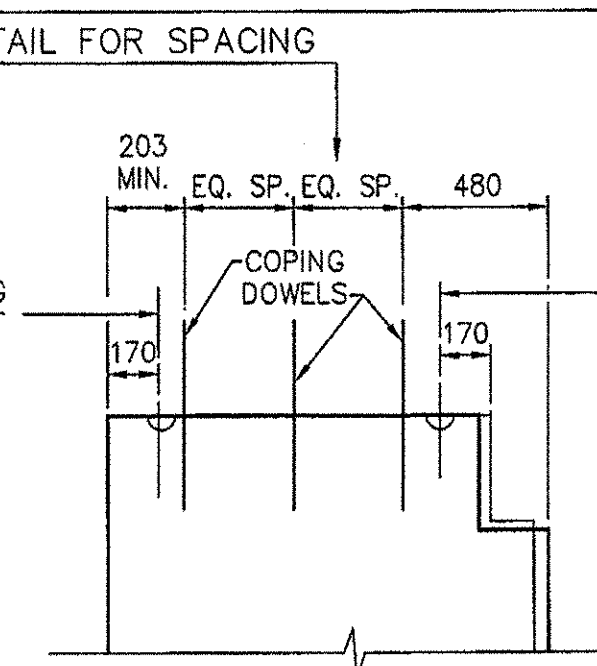
DETAIL "M"
SCALE: 1:10



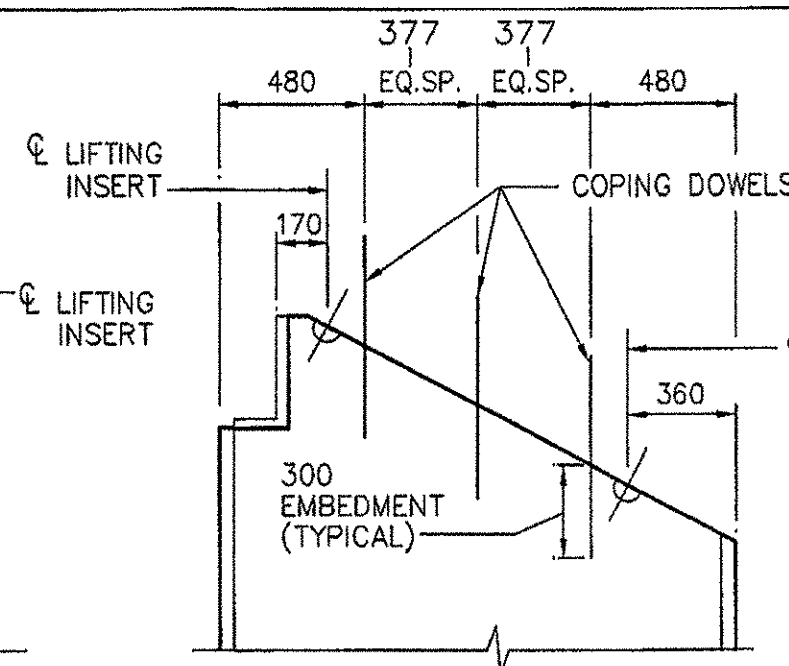
DETAIL "N"
SCALE: 1:20



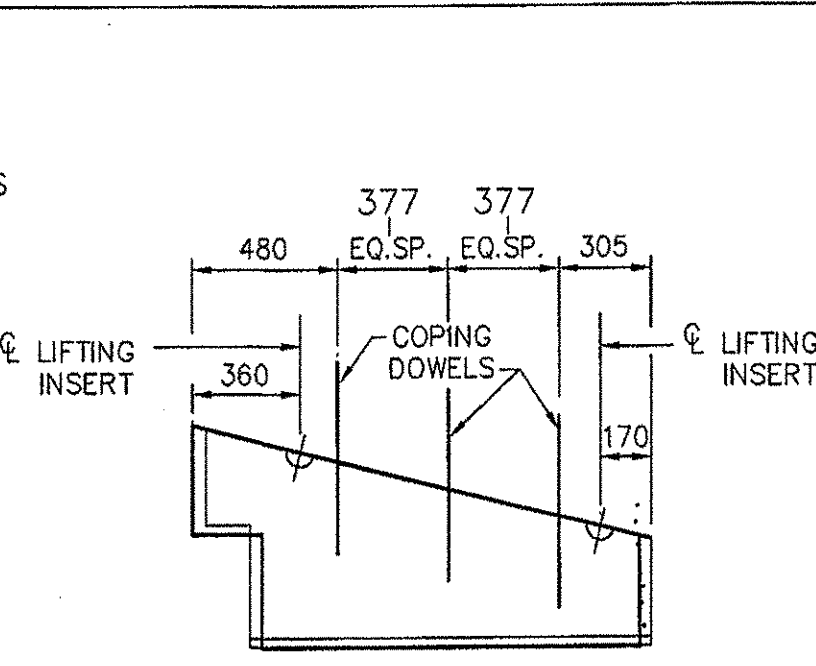
DETAIL "O"
SCALE: 1:20



DETAIL "P"
SCALE: 1:20



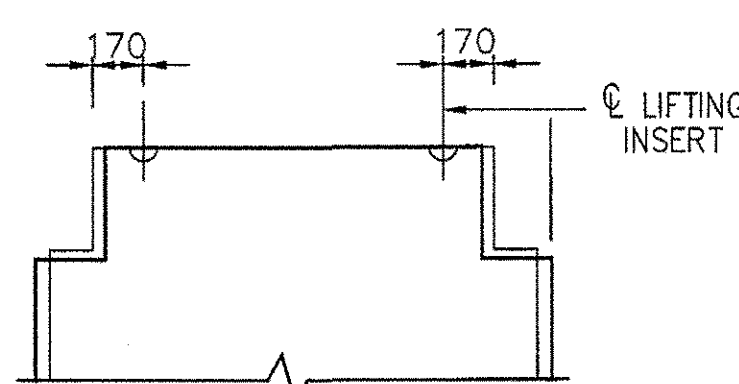
DETAIL "Q"
SCALE: 1:20



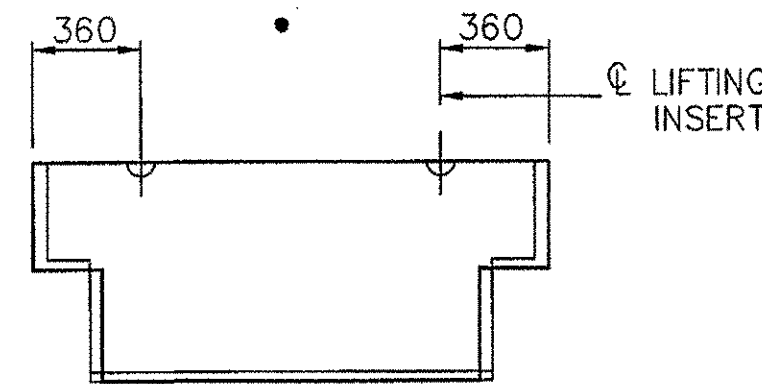
DETAIL "R"
SCALE: 1:20

NOTE: FOR PANELS WITH DOWELS

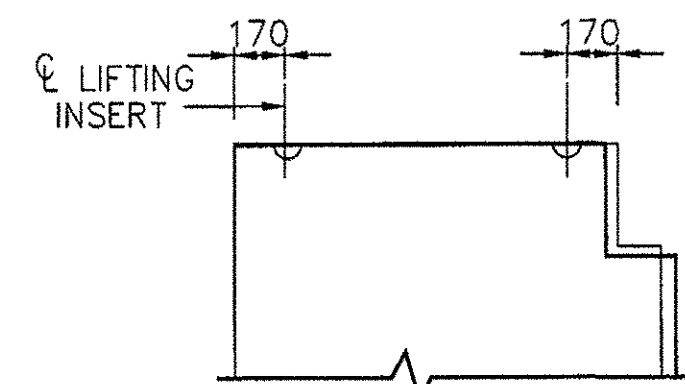
NOTE: COPING DOWELS SHALL BE 13M (#4) - EPOXY COATED
LENGTH = 600mm, EMBED 300mm INTO PANEL TYP.



DETAIL "N"
SCALE: 1:20



DETAIL "O"
SCALE: 1:20

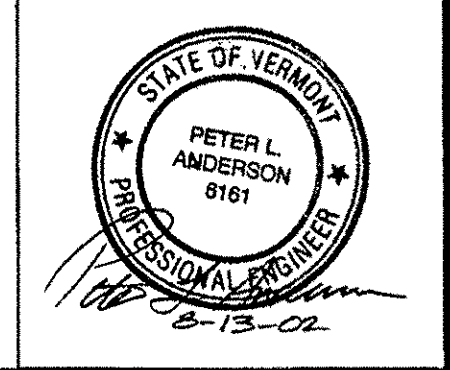


DETAIL "P"
SCALE: 1:20

NOTE: FOR PANELS WITHOUT DOWELS

CERTIFIED WITH RESPECT TO THE INTERNAL STABILITY OF REINFORCED EARTH STRUCTURES ONLY

RECEIVED
OK'D BY: *[Signature]*
AUG 15 2002
RESUBMIT: APPROVED:
BY: *CPW* DATE: *8/15/02*



This drawing contains information proprietary to The Reinforced Earth Company, and is being furnished for the use of VT AOT only in connection with this project, and the information contained herein is not to be transmitted to any other organization unless specifically authorized in writing by The Reinforced Earth Company. The Reinforced Earth Company is exclusive licensee in the United States under patents issued to Henri Vidal, and the furnishing of this drawing does not constitute an expressed or implied license under the Vidal patents.

The design contained on these drawings is based on information provided by the owner. On the basis of this information, The Reinforced Earth Company has designed, and is responsible for the internal stability of the structure only. External stability, including foundation and slope stability, is the responsibility of the owner.

The Reinforced Earth Company
8614 Westwood Center Drive Suite 1100, Vienna, Virginia 22182 (703) 821-1175

"REINFORCED EARTH" is the registered trademark of The Reinforced Earth Company.

DESIGNED BY: KPB	PROJECT ENGR: KPB	CHECKED BY: PLA	ENG. MANAGER: []	REV.:	DATE:	DESCRIPTION:	PROJECT NAME: US ROUTE 5 - BARTON PN STP 0113(58)S	DATE: 6-11-02
							LOCATION: COUNTY OF ORLEANS VERMONT	CONTRACT NO. 15765
							OWNER: VT AOT	DRAWING NO. S3 OF S9
							DRAWING COVERS: PANEL CASTING DETAILS	SCALE: AS SHOWN

C:\15765\FINAL\SHOP\15765_S03.DWG