

# The Reinforced Earth Company

8614 Westwood Center Drive Suite 1100, Vienna, Virginia 22182 (703) 821-1175

## PRECAST PANEL SHOP DRAWINGS

### PANEL GENERAL NOTES

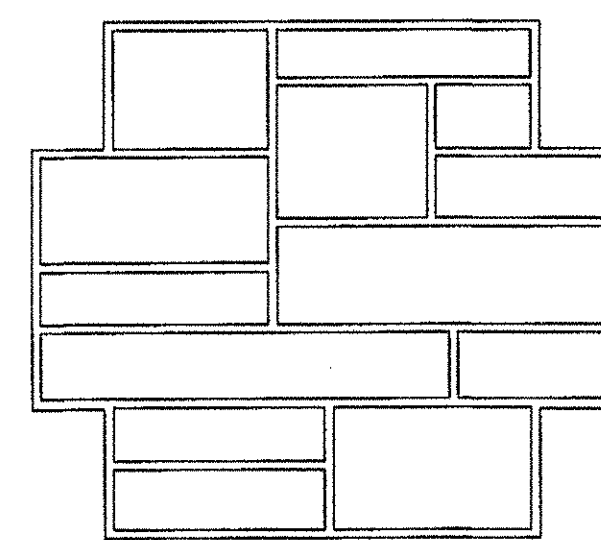
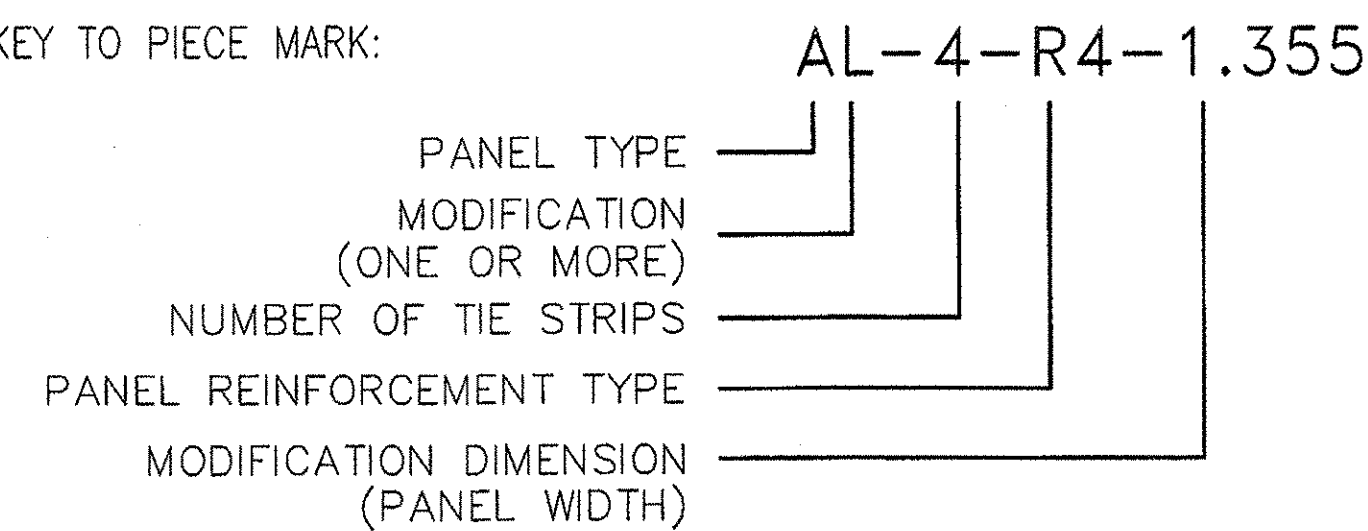
- REINFORCING BARS SHALL BE STEEL ASTM A615 GRADE 420, EPOXY COATED IN ACCORDANCE WITH SECTIONS 507 AND 713 OF VT AOT STANDARD SPECIFICATIONS.
- TIE STRIPS SHALL BE STEEL ASTM A570 GRADE 245 345 (GALVANIZED PER ASTM A-123). (610 g/m<sup>2</sup>)
- LIFTING INSERTS SHALL BE BURKE SPREAD ANCHOR 79050 (OR EQUAL) (GALVANIZED PER ASTM A-123). (610 g/m<sup>2</sup>)
- ALL FRONT EDGES OF PANELS, EXCEPT THE BOTTOM EDGE OF THE BOTTOM PANEL COURSE, SHALL HAVE A 10mm CHAMFER.
- TIE STRIPS SHALL BE PLACED WITHIN 25mm OF THE DIMENSIONS SHOWN ON THE FABRICATION DRAWINGS.
- PANEL DESIGN THICKNESS IS 140mm. THE OVERALL THICKNESS OF CONCRETE WILL INCREASE BY UP TO 38 mm FOR THE FORM LINER FINISH.
- DIMENSIONS SPECIFIED ON INDIVIDUAL FABRICATION DRAWINGS SUPERCEDE THOSE CALLED OUT ON THE STANDARD SECTIONS AND DETAILS.
- VERTICAL REINFORCING BARS SHALL BE PLACED 38 MIN. - 50 (TYP.) CLEAR FROM THE BACK FACE OF THE 140 PANEL.
- ALL REINFORCING BARS SHALL BE STOPPED 50 CLEAR FROM ANY EDGE OF PANEL UNLESS NOTED ON INDIVIDUAL FABRICATION DRAWING OR AS INDICATED IN NOTE #9. THE 28 DAY COMPRESSIVE STRENGTH OF CONCRETE SHALL BE 27.6 MPa MINIMUM.
- IN ALL SLOPED PANELS THE TWO (2) VERTICAL REINFORCING BARS ADJACENT TO A COMMON TIE STRIP SHALL BE OF THE SAME LENGTH.
- ALL INDIVIDUAL FABRICATION DRAWINGS ARE SHOWN BACK FACE.
- PRECAST FACING PANELS SHALL HAVE AN ASHLAR STONE FORM LINER FINISH. PANEL TYPES "B" & "CE" (CORNER ELEMENTS) SHALL HAVE A PLAIN STEEL FORM FINISH. ALL PRECAST PANELS SHALL BE COLORED WITH BAYFERROX 330 3.5% (HEAT STABLE) PIGMENT DYE. THE FINISHED PRODUCT SHALL BE DISPLAYED AS A TEST PANEL AND SHALL BE APPROVED BY VTRANS PRIOR TO COMMENCING PRECASTING OF THE PANELS TO BE USED IN THE WALL CONSTRUCTION. THE APPROVED TEST PANEL SHALL BE USED AS A BENCHMARK FOR THE CORRECT COLOR, SHADE THROUGHOUT THE PRECASTING OPERATION.
- REINFORCING BARS IN A STANDARD "A" PANEL SHALL BE AS FOLLOWS:

#### PANEL REINFORCEMENT

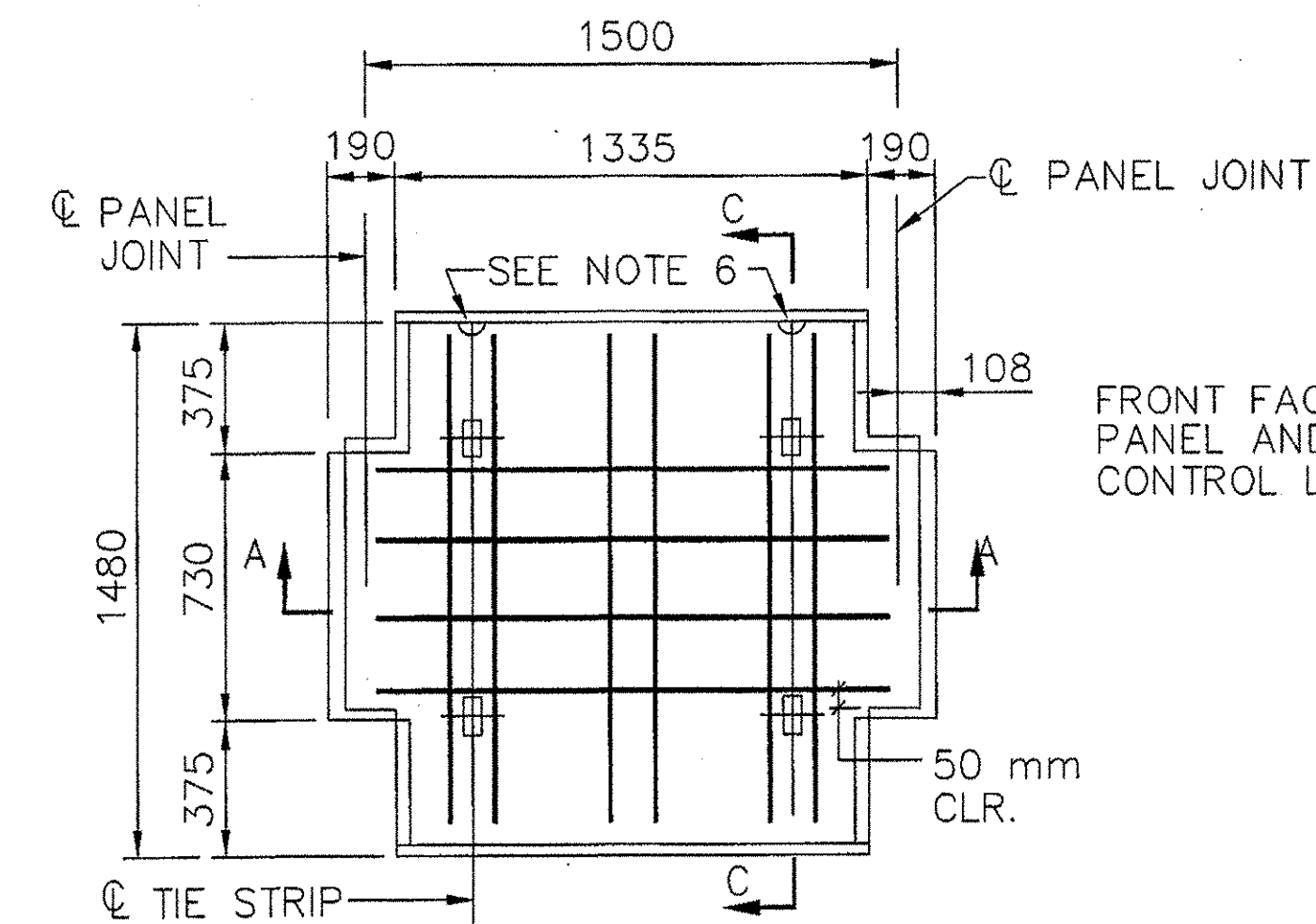
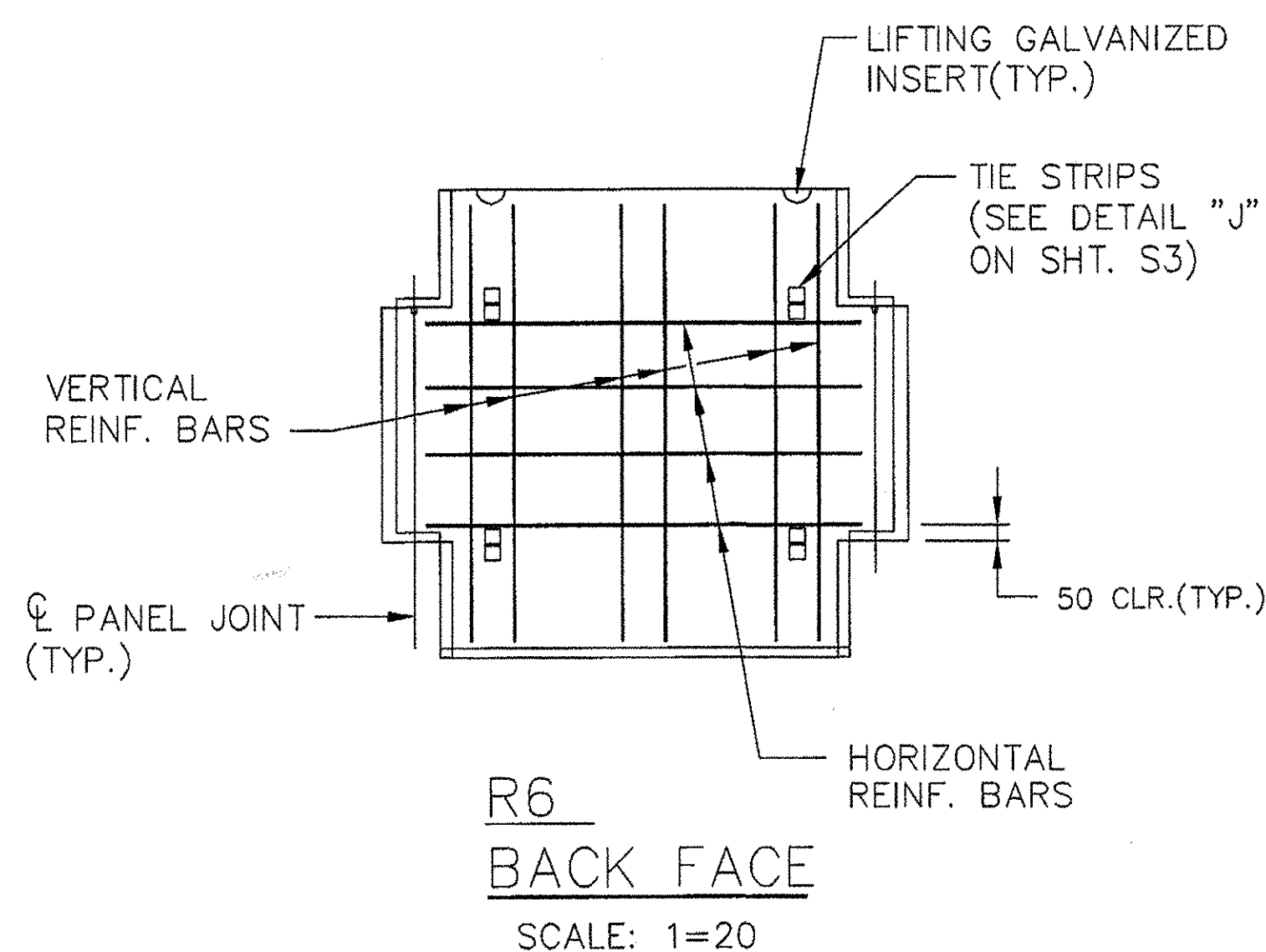
PIECE MARK	HORIZONTAL BARS	VERTICAL BARS
XX-XX-R6	4-#13 (#4 US)	6-#10 (#3 US)
XX-XX-R7	4-#20 (#6 US)	6-#13 (#4 US)

NUMBER OF HORIZONTAL REINFORCEMENT IN THE OTHER PANEL TYPES IS PROPORTIONAL TO THEIR RELATIVE HEIGHT.

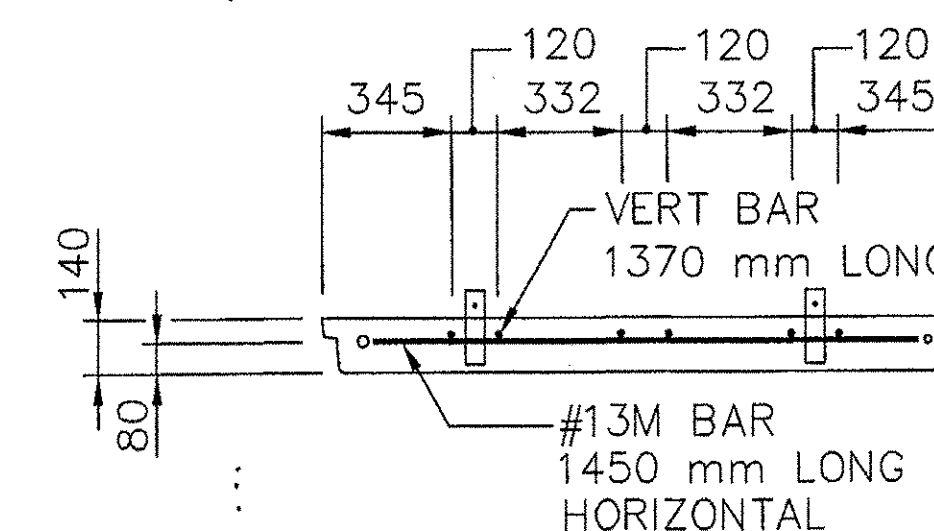
#### 13. KEY TO PIECE MARK:



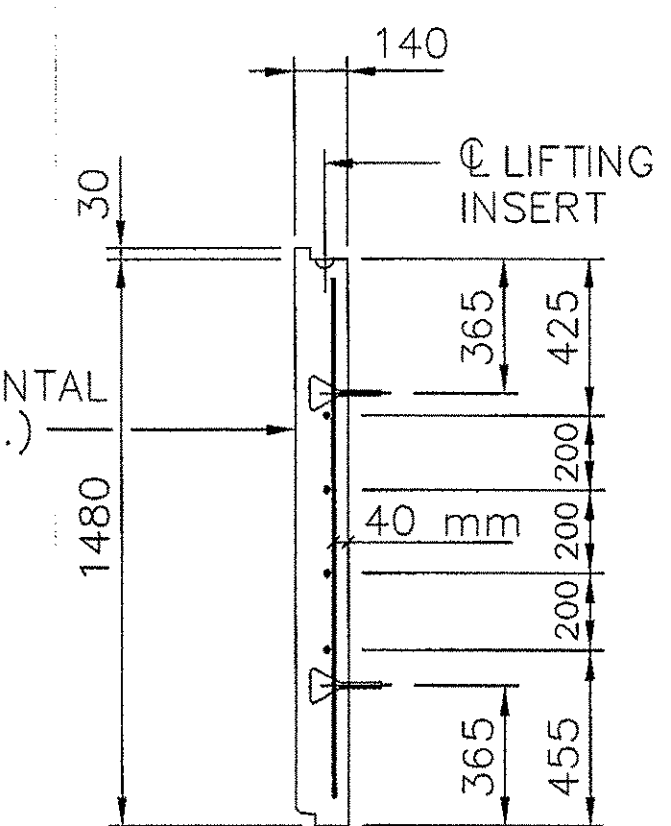
ASHLAR STONE PANEL FINISH  
PANEL TYPE "A"  
(LOOKING AT PANEL FACE)



PANEL TYPE "A"  
WITH R6 REINFORCEMENT  
FRONT VIEW  
SCALE 1:20



SECTION A-A  
SCALE 1:20



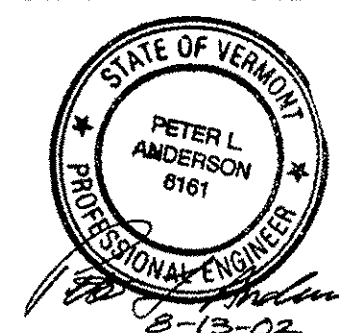
SECTION C-C  
SCALE 1:20

RECEIVED  
OK'D BY: \_\_\_\_\_ OK'D BY: *WJS*  
AUG 15 2002  
RESUBMIT: \_\_\_\_\_ APPROVED: *As Noted*  
BY: *CPW* DATE: *8/15/02*

**STRUCT  
COPY**

ALL DIMENSIONS ARE IN (mm) MILLIMETERS

CERTIFIED WITH RESPECT TO THE INTERNAL STABILITY OF REINFORCED EARTH STRUCTURES ONLY



This drawing contains information proprietary to The Reinforced Earth Company, and is being furnished for the use of VT AOT only in connection with this project, and the information contained herein is not to be transmitted to any other organization unless specifically authorized in writing by The Reinforced Earth Company. The Reinforced Earth Company is exclusive licensee in the United States under patents issued to Henri Vidal, and the furnishing of this drawing does not constitute an expressed or implied license under the Vidal patents.

The design contained on these drawings is based on information provided by the owner. On the basis of this information, The Reinforced Earth Company has designed, and is responsible for the internal stability of the structure only. External stability, including foundation and slope stability, is the responsibility of the owner.

**The Reinforced Earth Company**  
8614 Westwood Center Drive Suite 1100, Vienna, Virginia 22182 (703) 821-1175

"REINFORCED EARTH" is the registered trademark of The Reinforced Earth Company.

DESIGNED BY: KPB	PROJECT ENGR: KPB	CHECKED BY: PLA	1	8/12/02	REVISED PER VT AOT COMMENTS.	PROJECT NAME: US ROUTE 5 - BARTON PN STP 0113(58)S	DATE: 6-11-02
ENG. MANAGER	REV.	DATE	DESCRIPTION	DRAWING COVERS	PANEL CASTING NOTES	COUNTY OF ORLEANS VERMONT	CONTRACT NO. 15765
						OWNER: VT AOT	DRAWING NO. S1 OF S9
						SCALE AS SHOWN	