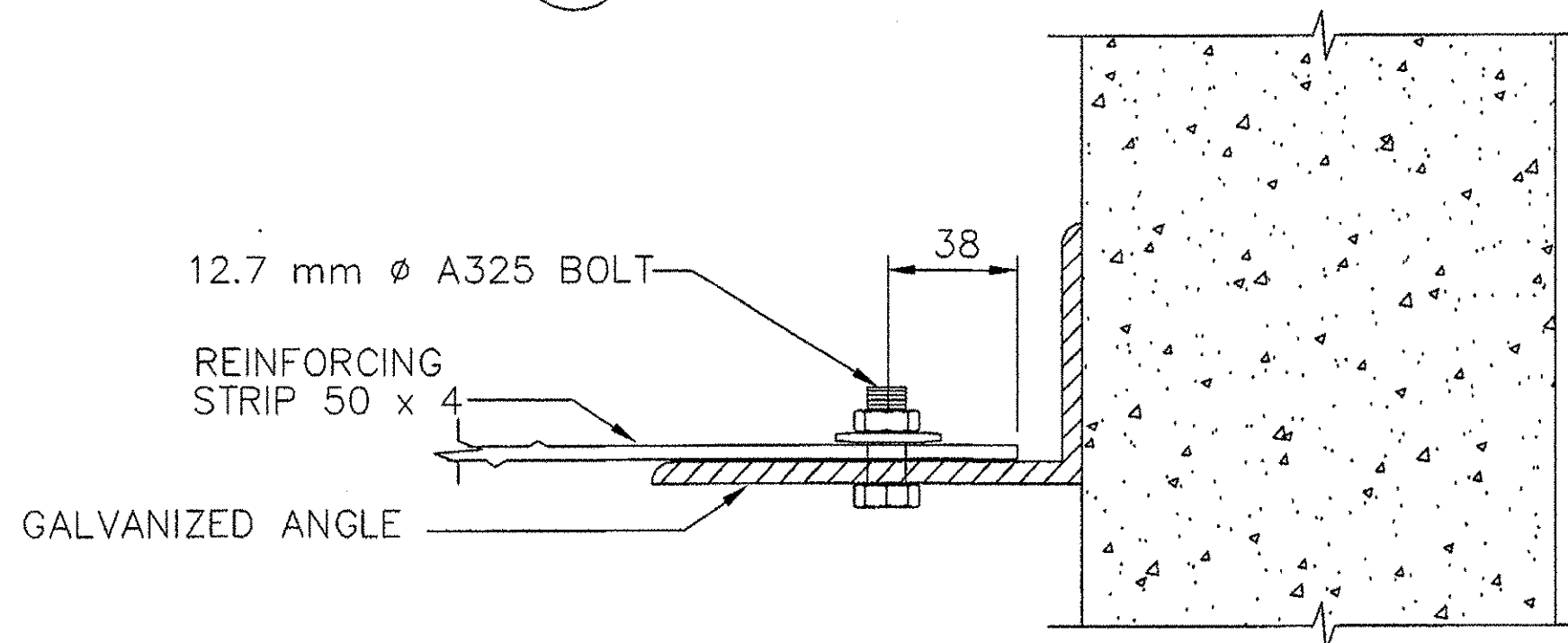
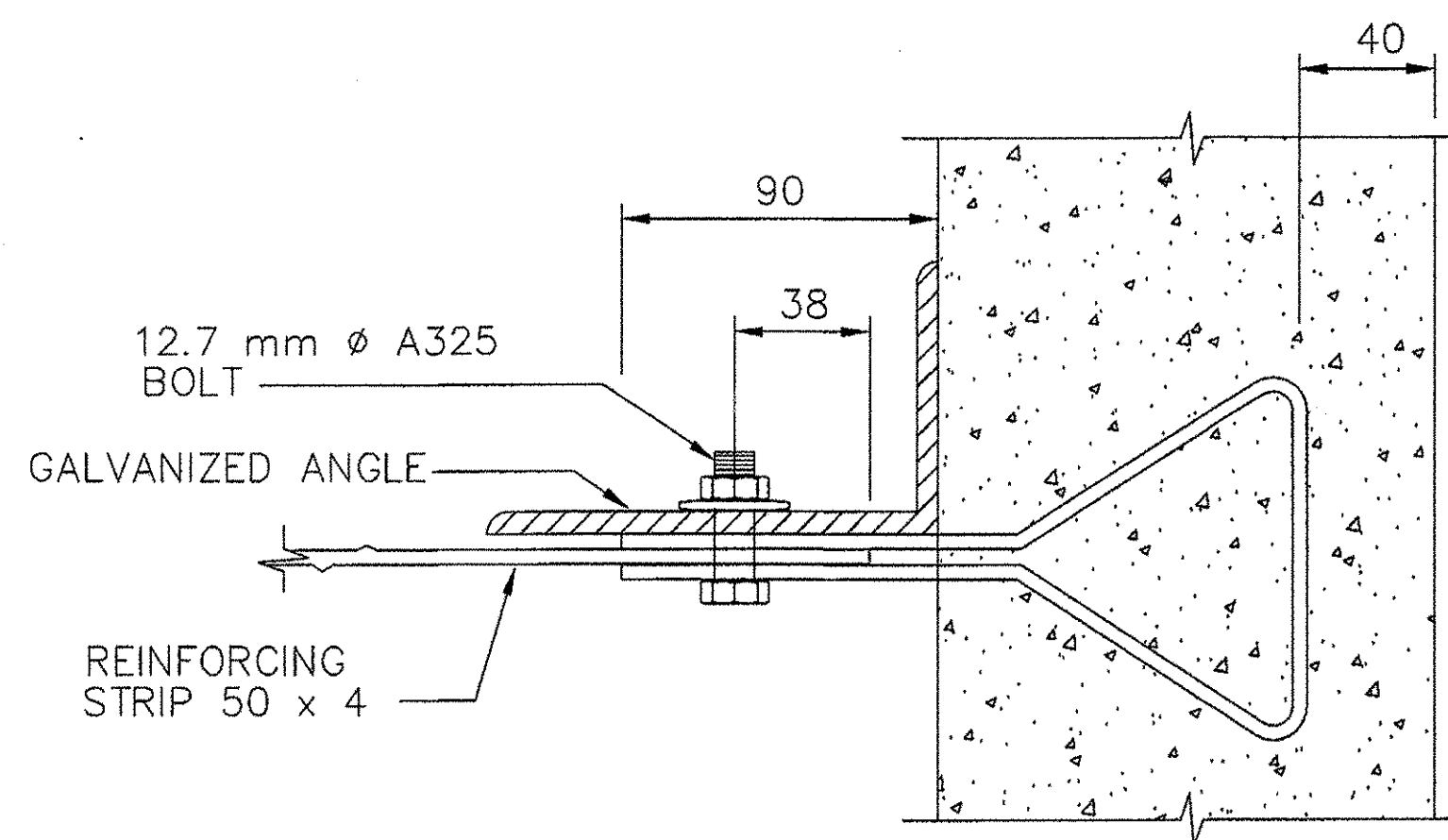


1 ANGLE BOLTED TO TIE STRIP

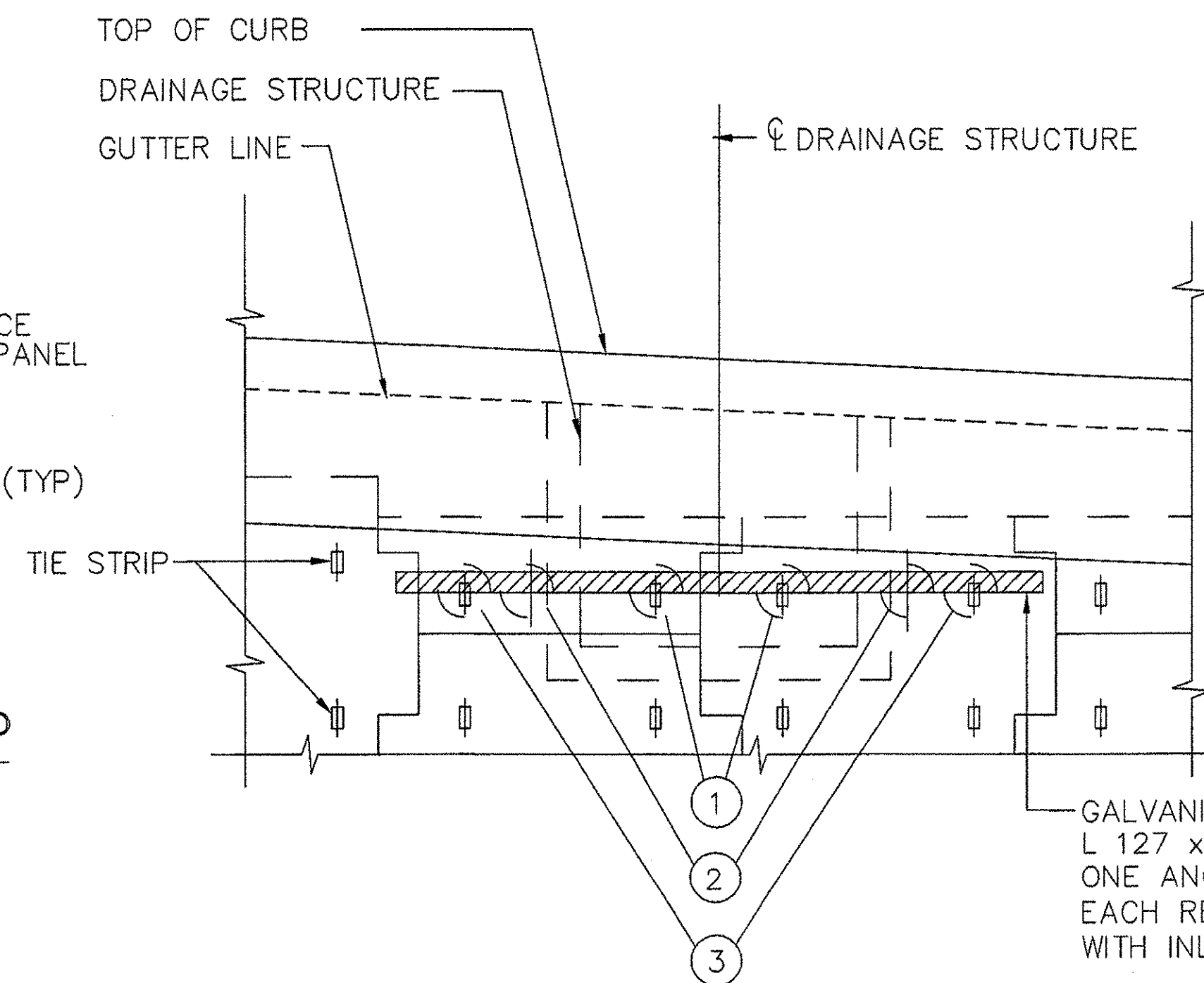


2 SHIFTED REINF. STRIP BOLTED TO ANGLE

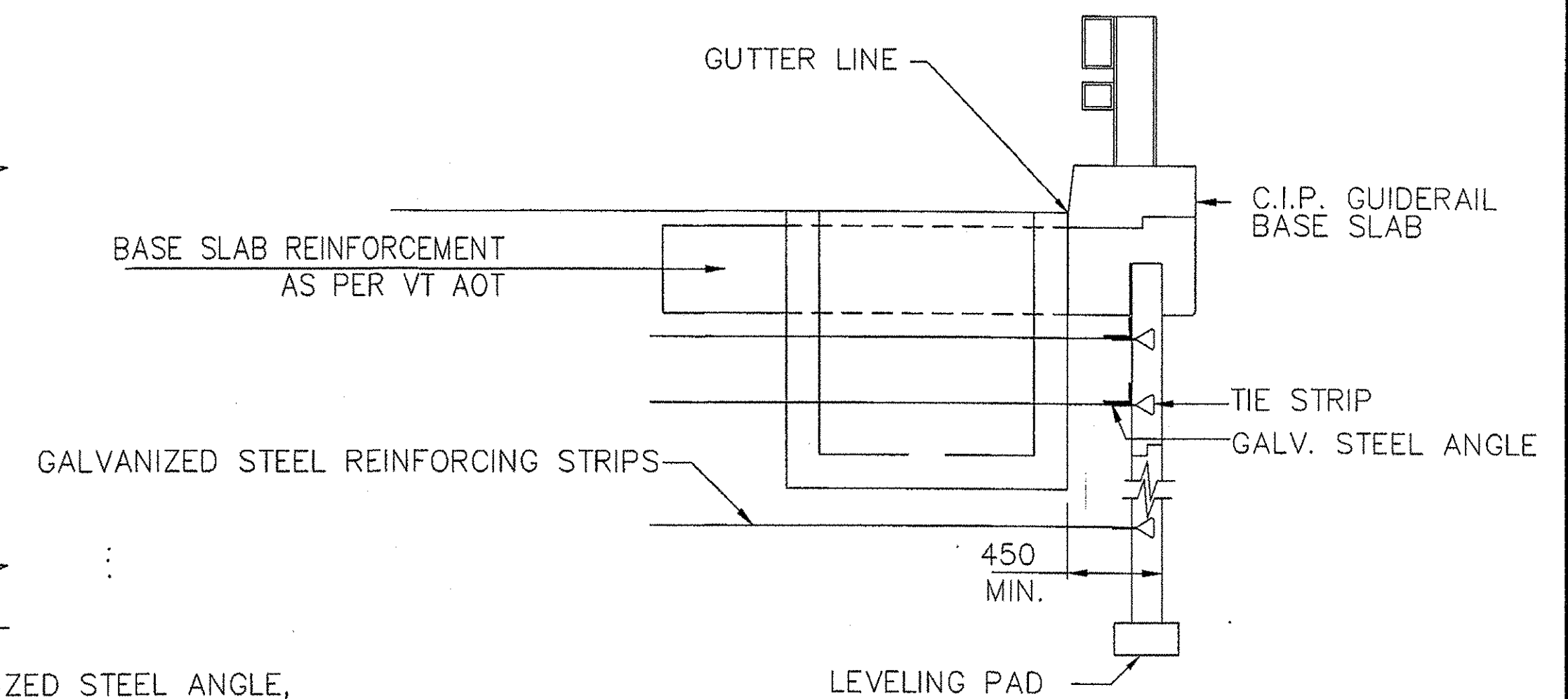


3 ANGLE BOLTED TO TIE STRIP WITH REINF. STRIP CONNECTION DETAILS ① THRU ③

SCALE 1:2

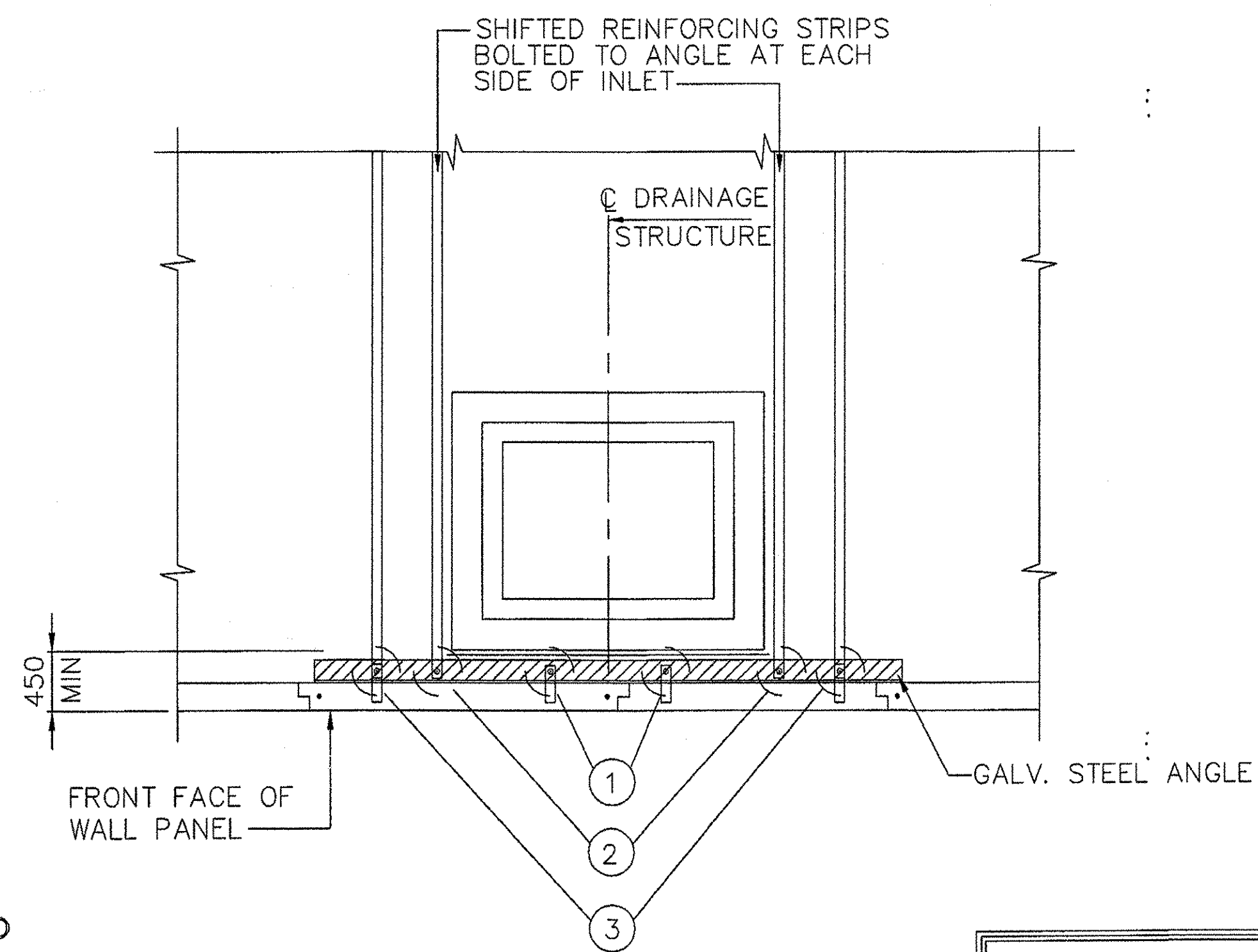


PARTIAL ELEVATION SCALE 1:25

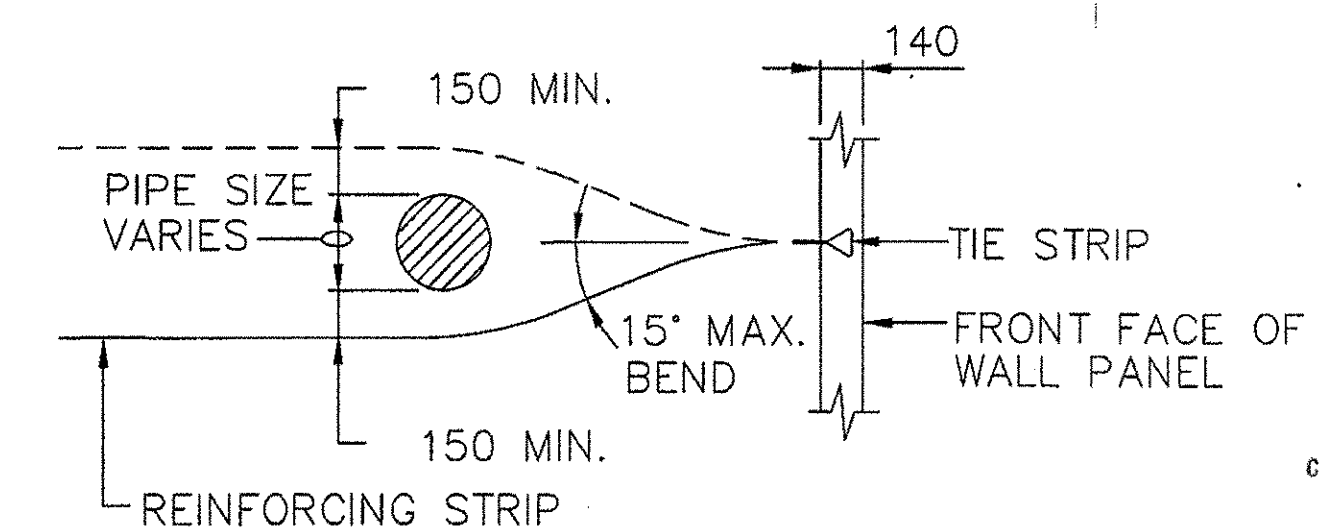


TYPICAL SECTION AT CATCH BASINS

STEEL ANGLES SHALL BE ASTM A709M GRADE 250. GALVANIZED PER ASTM A-123. FIELD DRILL 14mm HOLES IN ANGLE AT LOCATIONS REQUIRED FOR BOLTED CONNECTIONS. APPLY TWO COATS OF ZINC-RICH GALVANIZING PAINT TO FIELD DRILLED HOLES.



PARTIAL PLAN SCALE 1:25



NOTES : BEND TO BE AS GRADUAL AS POSSIBLE.

ONE REINFORCING STRIP SHALL BE PLACED EITHER ABOVE OR BELOW PIPE, WHICHEVER HAS THE LOWEST ANGLE OF DEFLECTION.

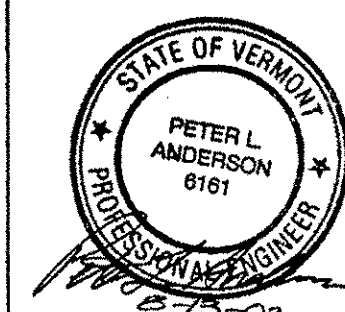
TYPICAL STRIP BENDING DETAIL AT ANY PROPOSED & EXISTING PIPES SCALE 1:25

ALL DIMENSIONS ON THIS SHEET ARE IN MILLIMETERS UNLESS NOTED OTHERWISE.

FOR EVERY TIE STRIP BLOCKED BY CATCH BASIN, SHIFT ASSOCIATED REINFORCING STRIP TO SIDE OF CATCH BASIN, BOLT REINFORCING STRIP TO ANGLE AND PLACE NORMAL TO WALL.

RECEIVED
OK'D BY: *[Signature]*
AUG 15 2002
RESUBMIT APPROVED *[Signature]* DATE 8/15/02

CERTIFIED WITH RESPECT TO THE INTERNAL STABILITY OF REINFORCED EARTH STRUCTURES ONLY



This drawing contains information proprietary to The Reinforced Earth Company, and is being furnished for the use of VT AOT only in connection with this project, and the information contained herein is not to be transmitted to any other organization unless specifically authorized in writing by The Reinforced Earth Company. The Reinforced Earth Company is exclusive licensee in the United States under patents issued to Henri Vidal, and the furnishing of this drawing does not constitute an expressed or implied license under the Vidal patents.

The design contained on these drawings is based on information provided by the owner. On the basis of this information, The Reinforced Earth Company has designed, and is responsible for the internal stability of the structure only. External stability, including foundation and slope stability, is the responsibility of the owner.

The Reinforced Earth Company
8614 Westwood Center Drive Suite 1100, Vienna, Virginia 22182 (703) 821-1175

"REINFORCED EARTH" is the registered trademark of The Reinforced Earth Company.

DESIGNED BY: KPB			PROJECT NAME US ROUTE 5 - BARTON PN STP 0113(58)S	DATE 6-11-02
PROJECT ENGR: KPB			LOCATION COUNTY OF ORLEANS VERMONT	CONTRACT NO. 15765
CHECKED BY: PLA	1	8/12/02	OWNER VT AOT	DRAWING NO. 7 OF 8
ENG. MANAGER REV.		DATE	DESCRIPTION	SCALE AS SHOWN
			DRAWING COVERS DETAILS AT DRAINAGE STRUCTURES	