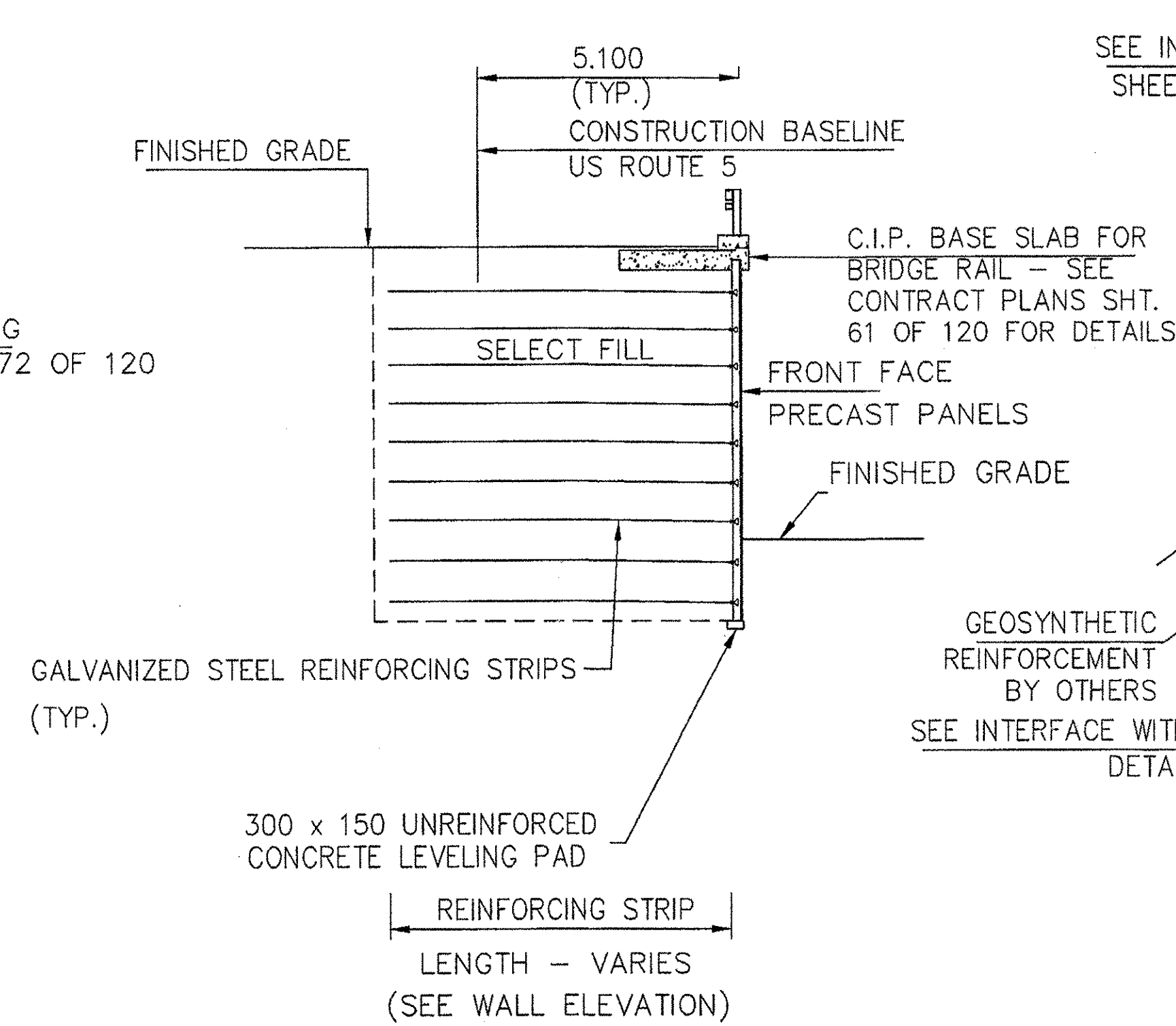


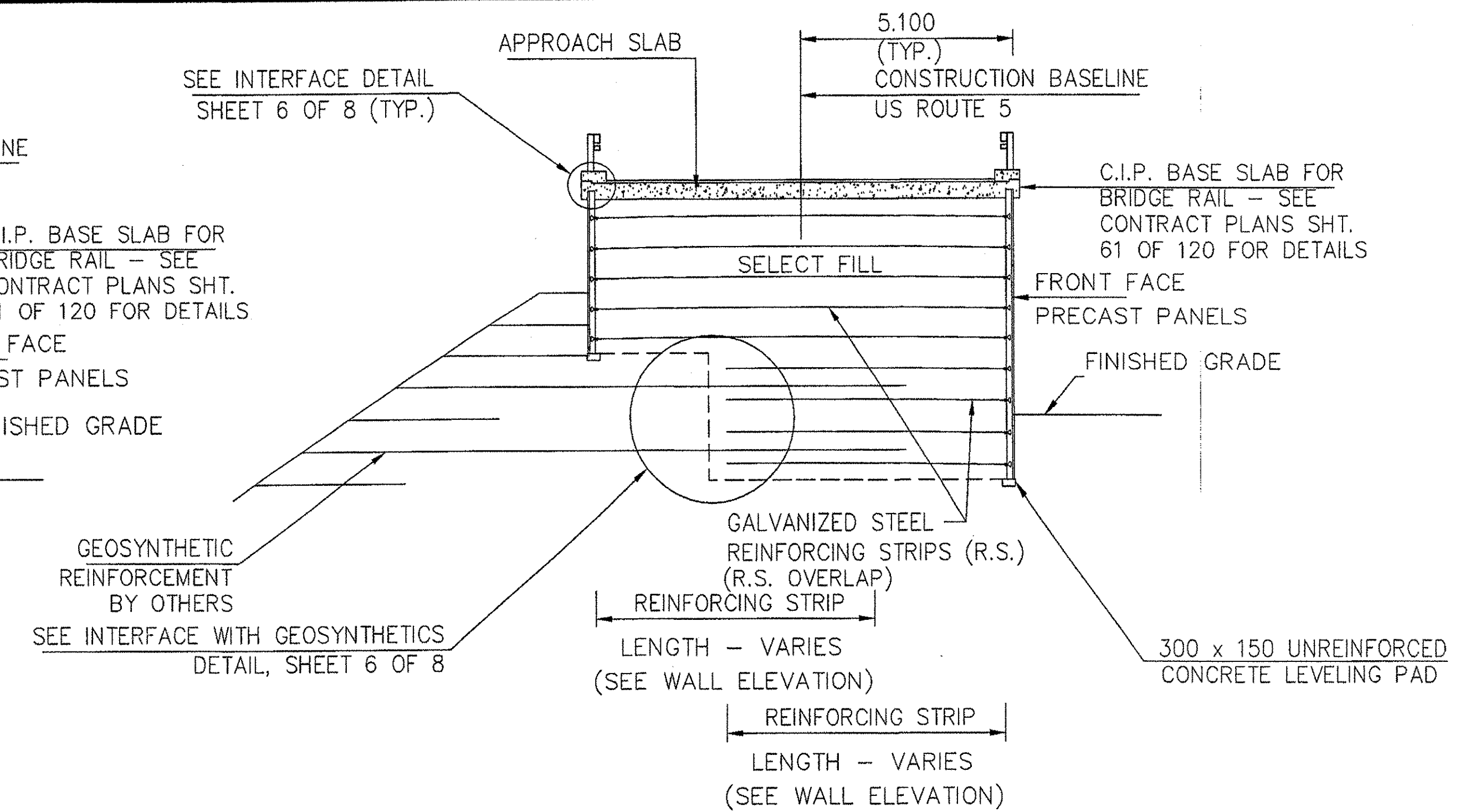
TYPICAL SECTION AT ABUTMENTS

SCALE: 1 : 100



TYPICAL SECTION BEYOND APPROACH SLAB

SCALE: 1 : 100

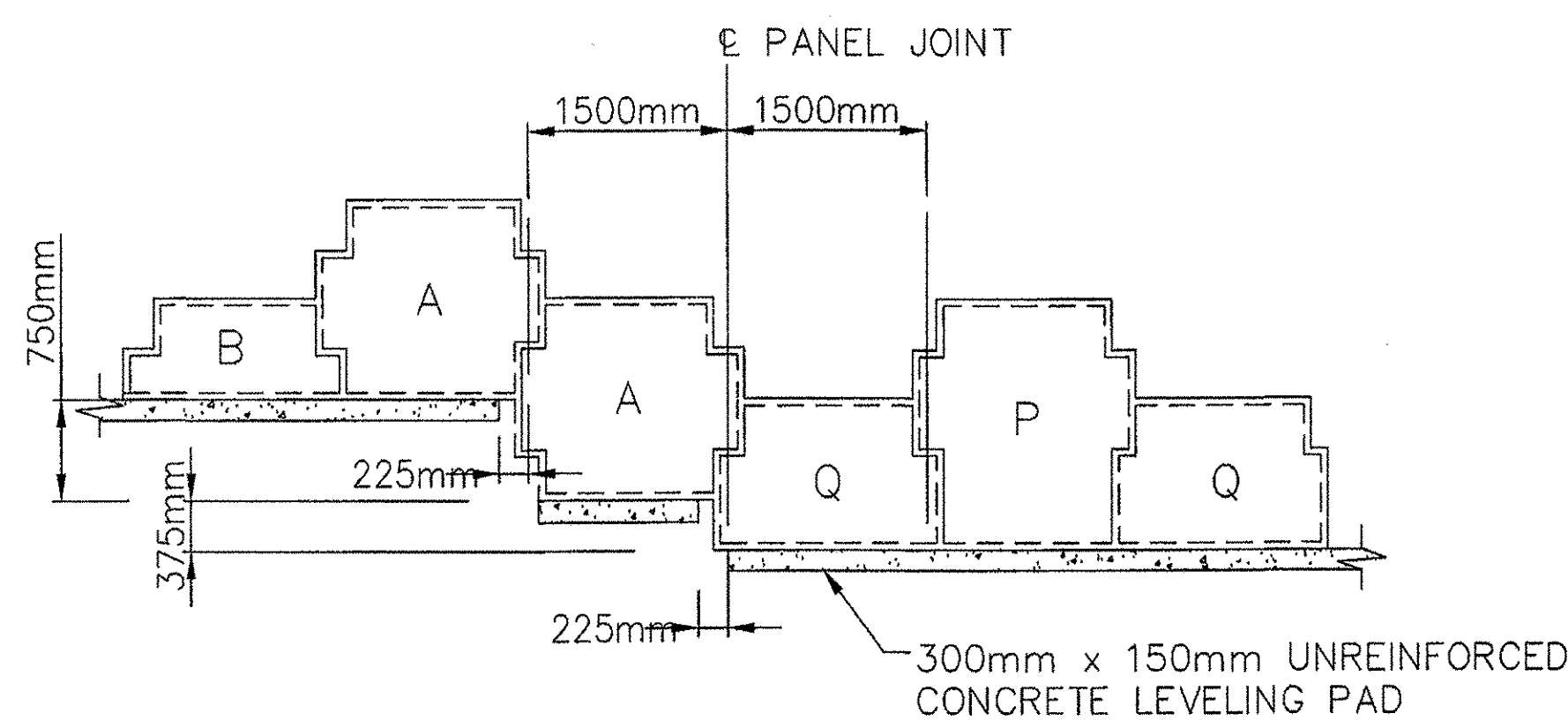


TYPICAL SECTION APPROACH WALLS AT APPROACH SLAB

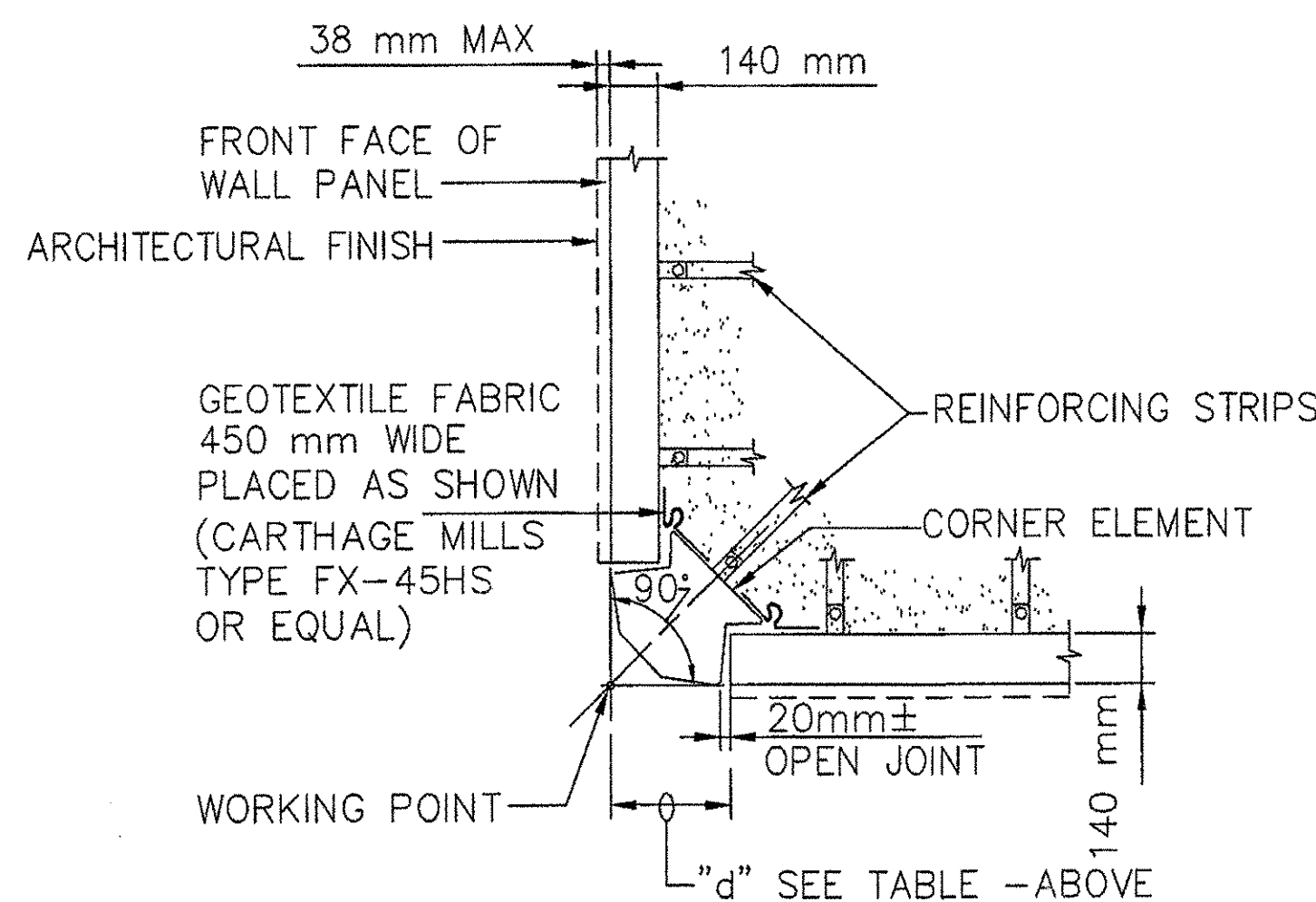
SCALE: 1 : 100

BEND ANGLE α	CORNER ELEMENT TYPE	WORKING DISTANCE "d"
90°	CE2	355 mm
120°	CE3	315 mm
150°	CE3	285 mm

DIMENSIONS ON THIS SHEET ARE IN METERS UNLESS NOTED OTHERWISE

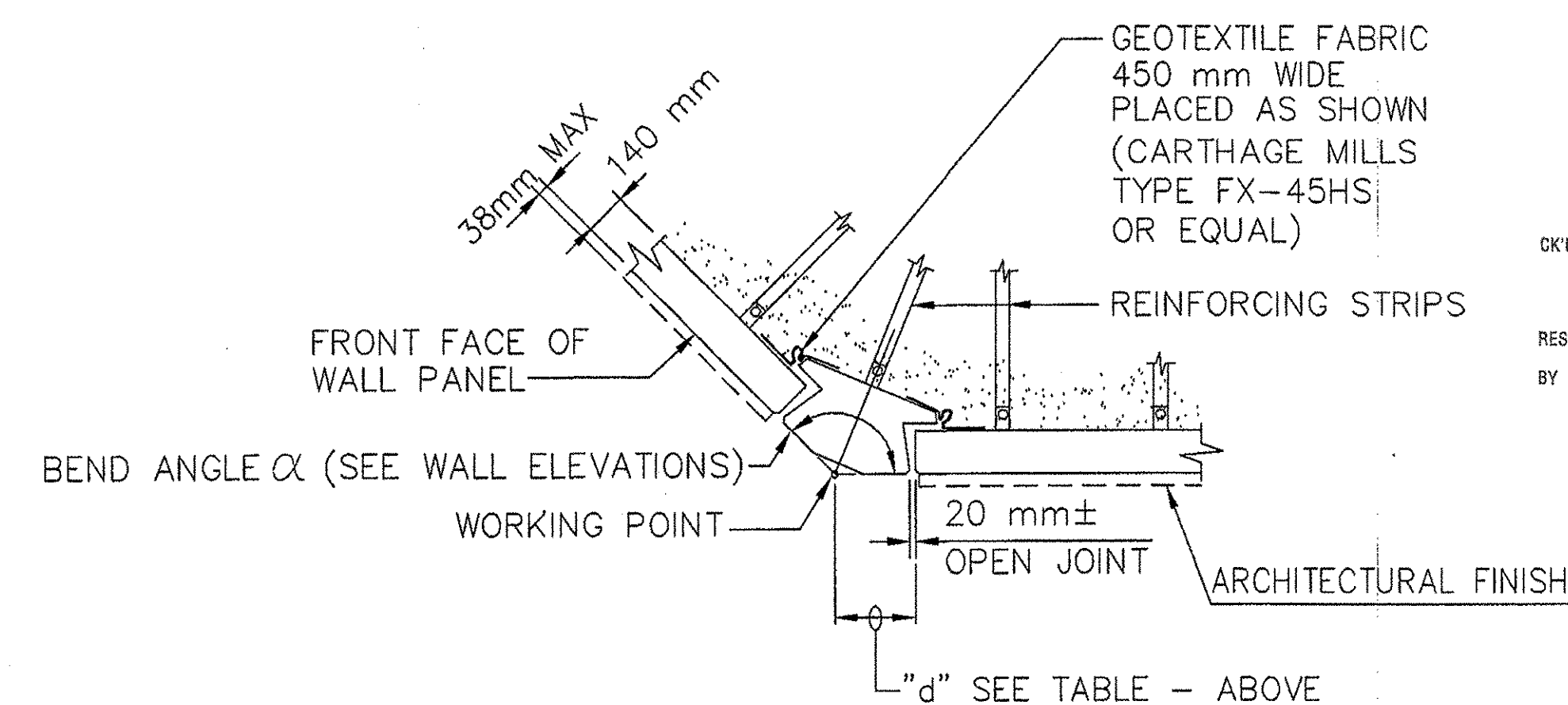


TYPICAL LEVELING PAD STEP DETAIL



90° CORNER ELEMENT DETAIL

SCALE 1:20

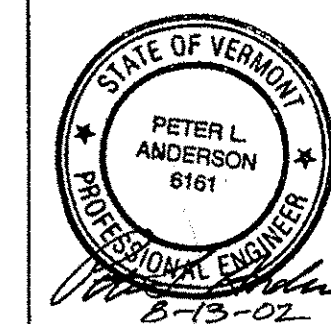


OBTUSE CORNER ELEMENT DETAIL

SCALE 1:20

RECEIVED
 OK'D BY: [Signature] DATE: 6/13/02
 AUG 15 2002
 RESUBMIT: [Signature] APPROVED: [Signature]
 BY: CPW DATE: 8/15/02

CERTIFIED WITH RESPECT TO THE INTERNAL STABILITY OF REINFORCED EARTH STRUCTURES ONLY



This drawing contains information proprietary to The Reinforced Earth Company, and is being furnished for the use of VT AOT only in connection with this project, and the information contained herein is not to be transmitted to any other organization unless specifically authorized in writing by The Reinforced Earth Company. The Reinforced Earth Company is exclusive licensee in the United States under patents issued to Henri Vidal, and the furnishing of this drawing does not constitute an expressed or implied license under the Vidal patents.

The design contained on these drawings is based on information provided by the owner. On the basis of this information, The Reinforced Earth Company has designed, and is responsible for the internal stability of the structure only. External stability, including foundation and slope stability, is the responsibility of the owner.

The Reinforced Earth Company
 8614 Westwood Center Drive Suite 1100, Vienna, Virginia 22182 (703) 821-1175

"REINFORCED EARTH" is the registered trademark of The Reinforced Earth Company.

DESIGNED BY: KPB	PROJECT ENGR: KPB	CHECKED BY: PLA	ENG. MANAGER: [Signature]	PROJECT NAME: US ROUTE 5 - BARTON PN STP 0113(58)S	DATE: 6-11-02
REV. 1	DATE: 8/12/02	DESCRIPTION: REVISED PER VT AOT COMMENTS.	DRAWING COVERS: DETAILS - RE WALLS	LOCATION: COUNTY OF ORLEANS VERMONT	CONTRACT NO.: 15765
				OWNER: VT AOT	DRAWING NO.: 5 OF 8
					SCALE: AS SHOWN

C:\15765\FINAL\15765.D1