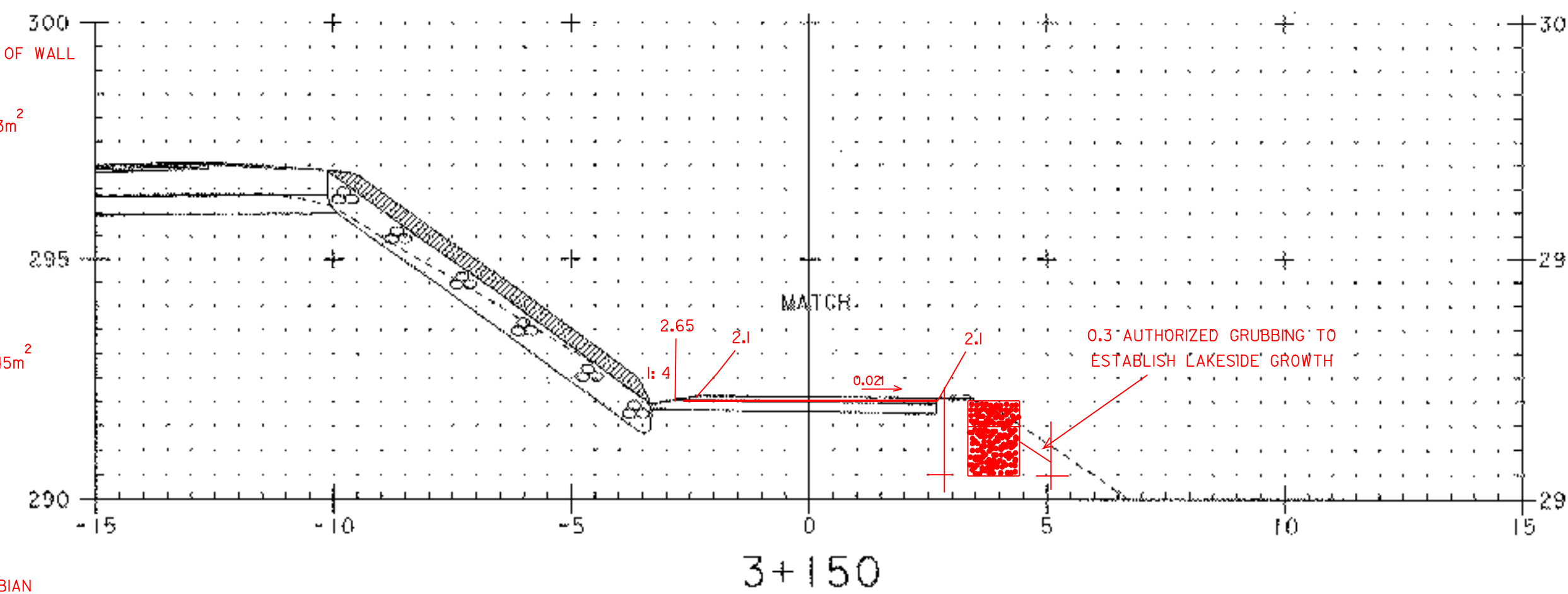
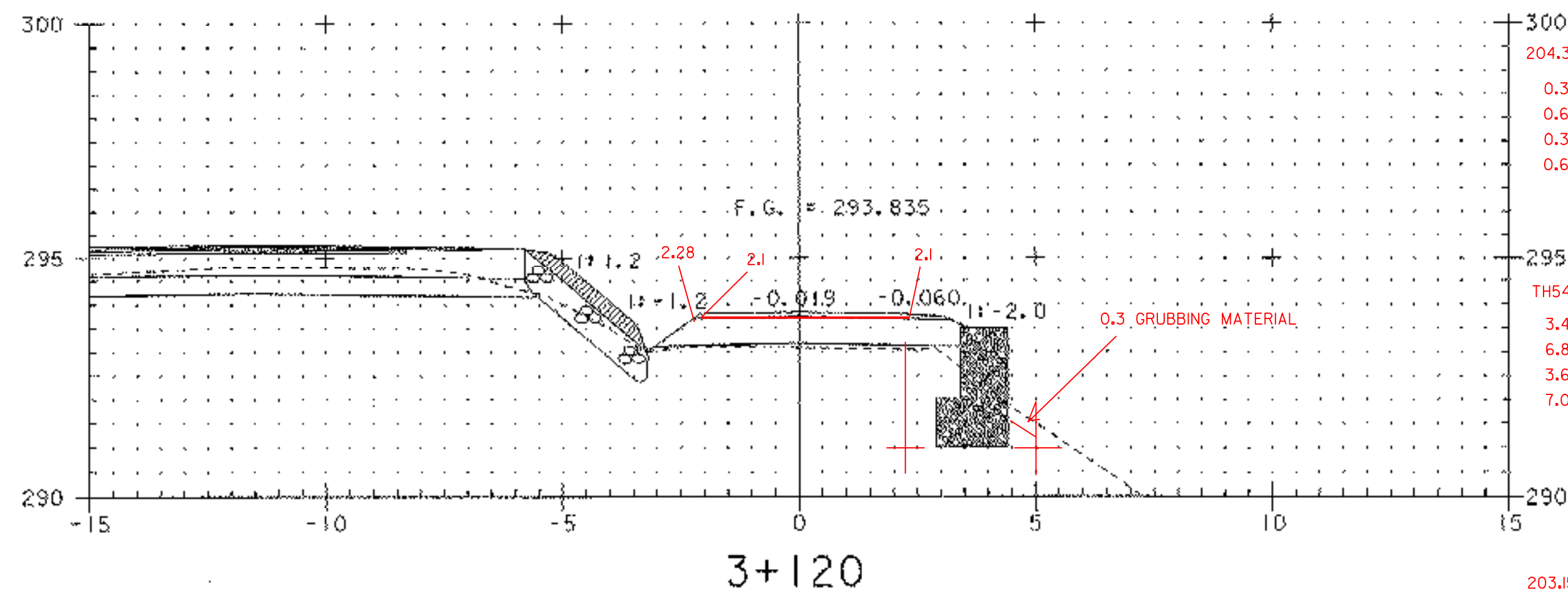


203.15 FOR GABIAN

4.0 4.0
8.0 3.9m²
3.8 3.8
7.6

203.15 FOR GABIAN

3.0 3.0
6.0 3.0m²
3.0 3.0
6.0



204.30 END OF GABION

2.4 2.4
4.8 2.4m²
2.3 2.4
4.8

204.30 FRONT OF WALL

0.4 0.4
0.8 0.4m²
0.4 0.4
0.8

TH54 30L25

1.2 1.15
2.3 1.2m²
1.3 1.25
2.5

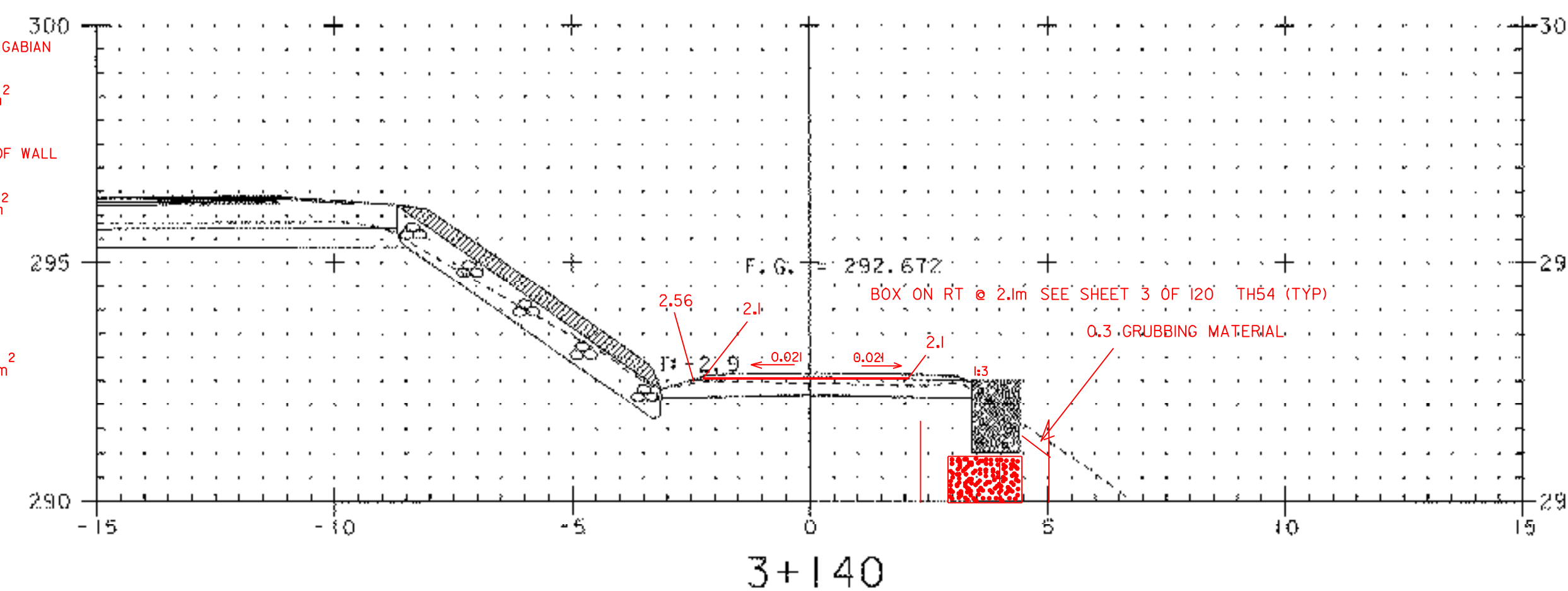
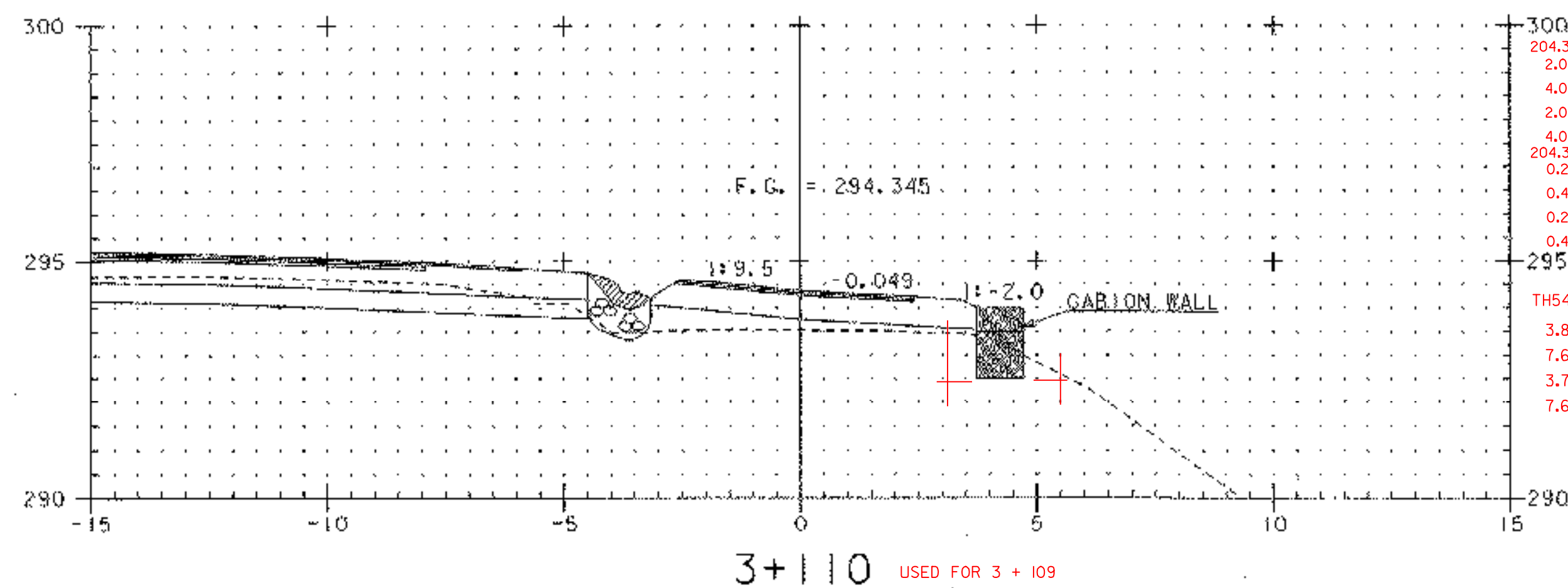
3 + 117 F.G. 293.988

203.15 FOR GABIAN

1.8 1.8
3.6 1.8m²
1.8 1.8
3.6

203.15 FOR GABIAN

5.5 5.5
11.0 5.55m²
5.5 5.6
11.2



204.30 FRONT OF WALL 1.5m HIGH SECTION

0.1 0.15
0.3 0.15m²
0.1 0.15
0.3

204.30 FRONT OF WALL 2.5m HIGH SECTION

0.8 0.8
1.6 0.8m²
0.8 0.8
1.6

TH54 30L25

2.7 2.7
5.4 2.7m²
2.7 2.7
5.4

3+110 USED FOR 3 + 109

3+140

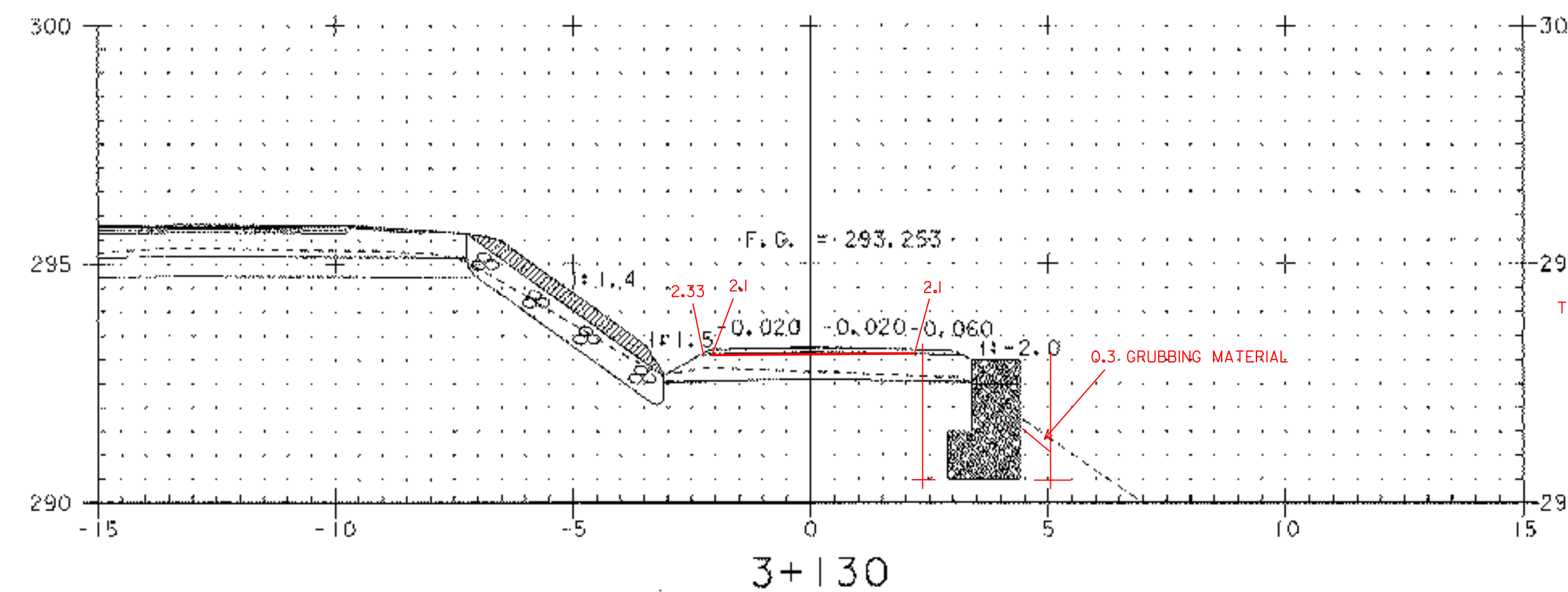
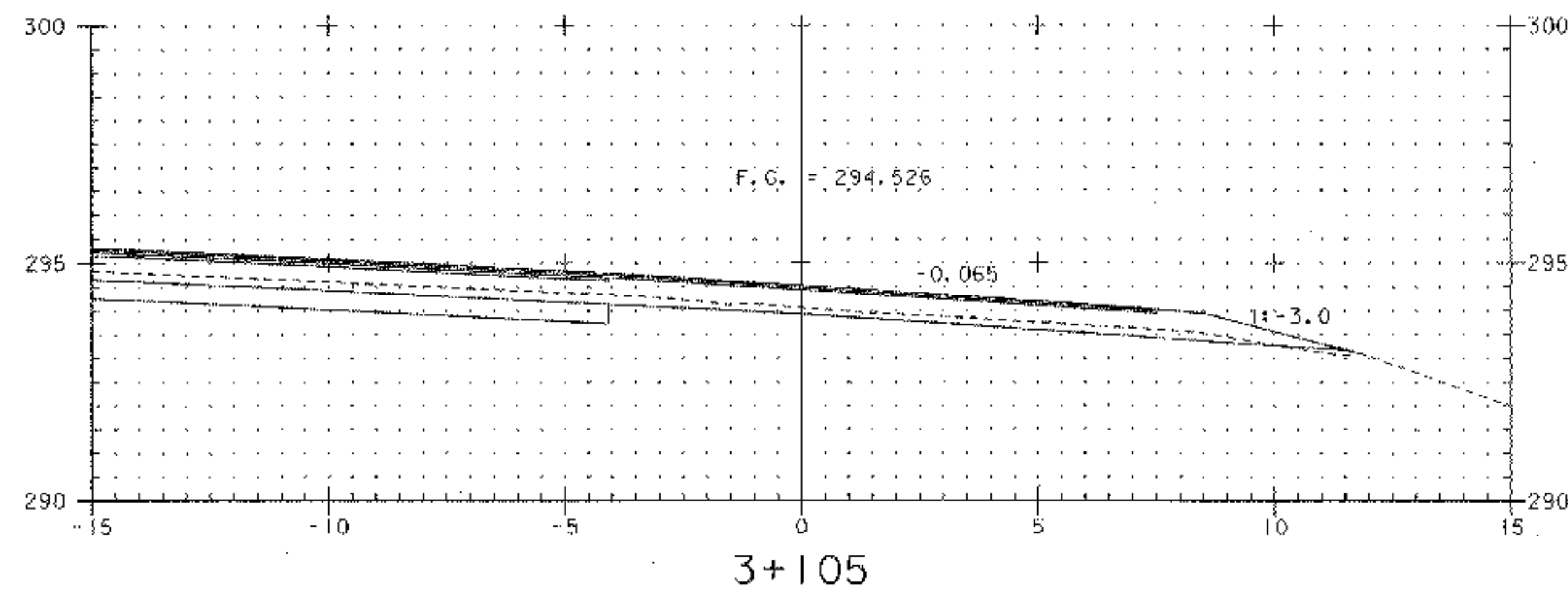
3 + 105 F.G. 294.526

203.15 FOR GABIAN

4.6 4.6
9.2 4.6m²
4.6 4.6
9.2

203.15 FOR GABIAN

4.6 4.6
9.2 4.6m²
4.6 4.6
9.2



204.30 FRONT OF WALL

0.5 0.5
1.0 0.45m²
0.4 0.4
0.8

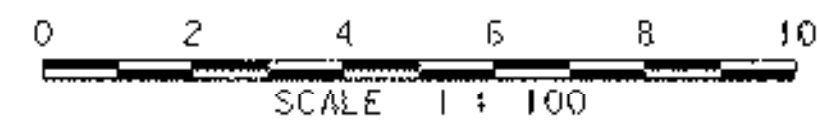
TH54 30L25

3.7 3.65
7.3 3.63m²
3.6 3.6
7.2

3+105

3+130

**ARCHIVED
ON CADD**



PLOTTED 03-JAN-2002

PROJECT:	BARTON	PROJECT NO. :	STP 0113 (58) S
DESIGN FILE NAME:	96c116/structures/sc116154.dgn	PLOT DATE:	03-JAN-2002
IPARM FILE NAME:	sc116tbl.i		
Town Highway 54 Cross Sections		SHEET: 120 OF 120	
Sta 3+105 Thru 3+150			