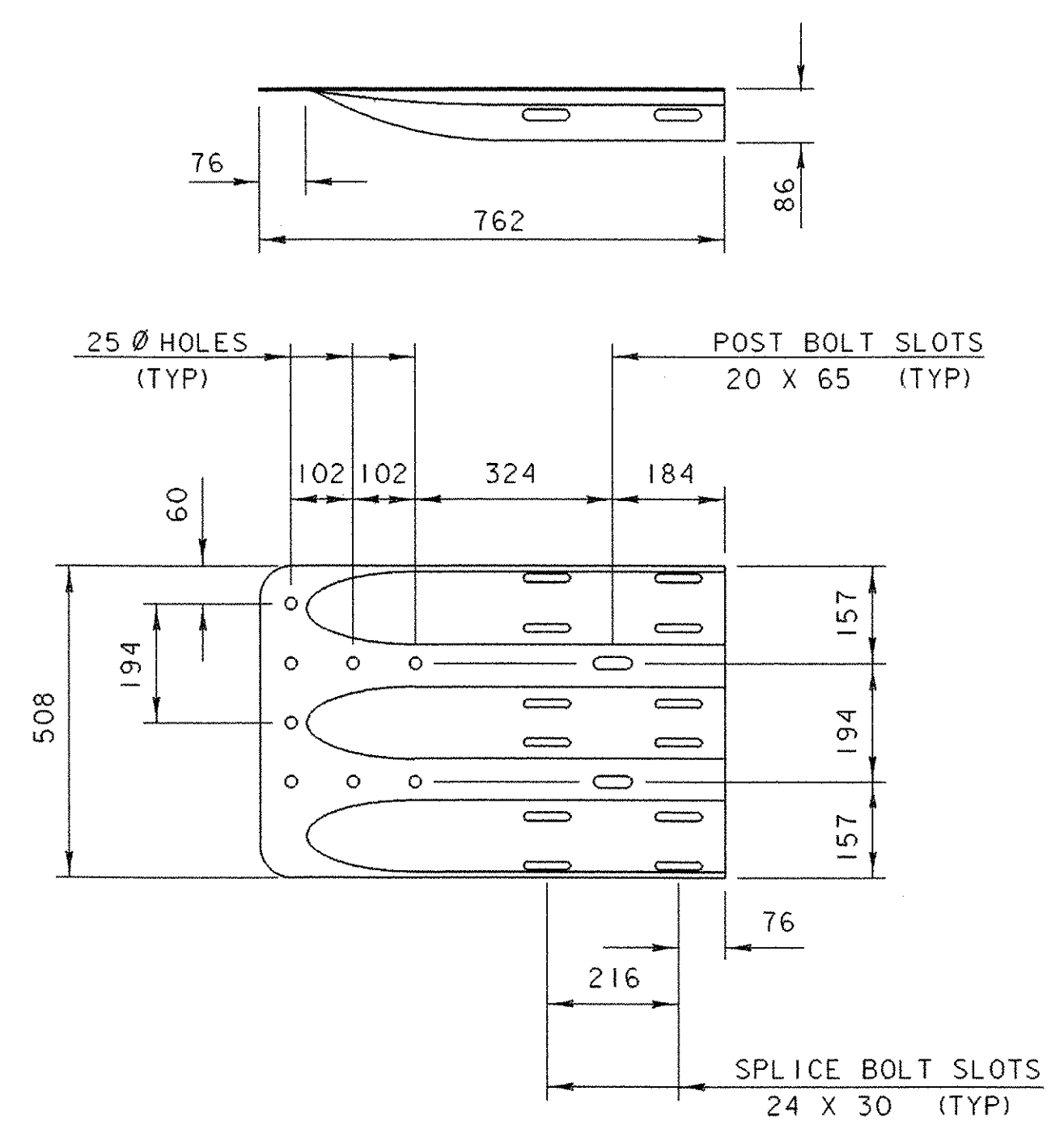
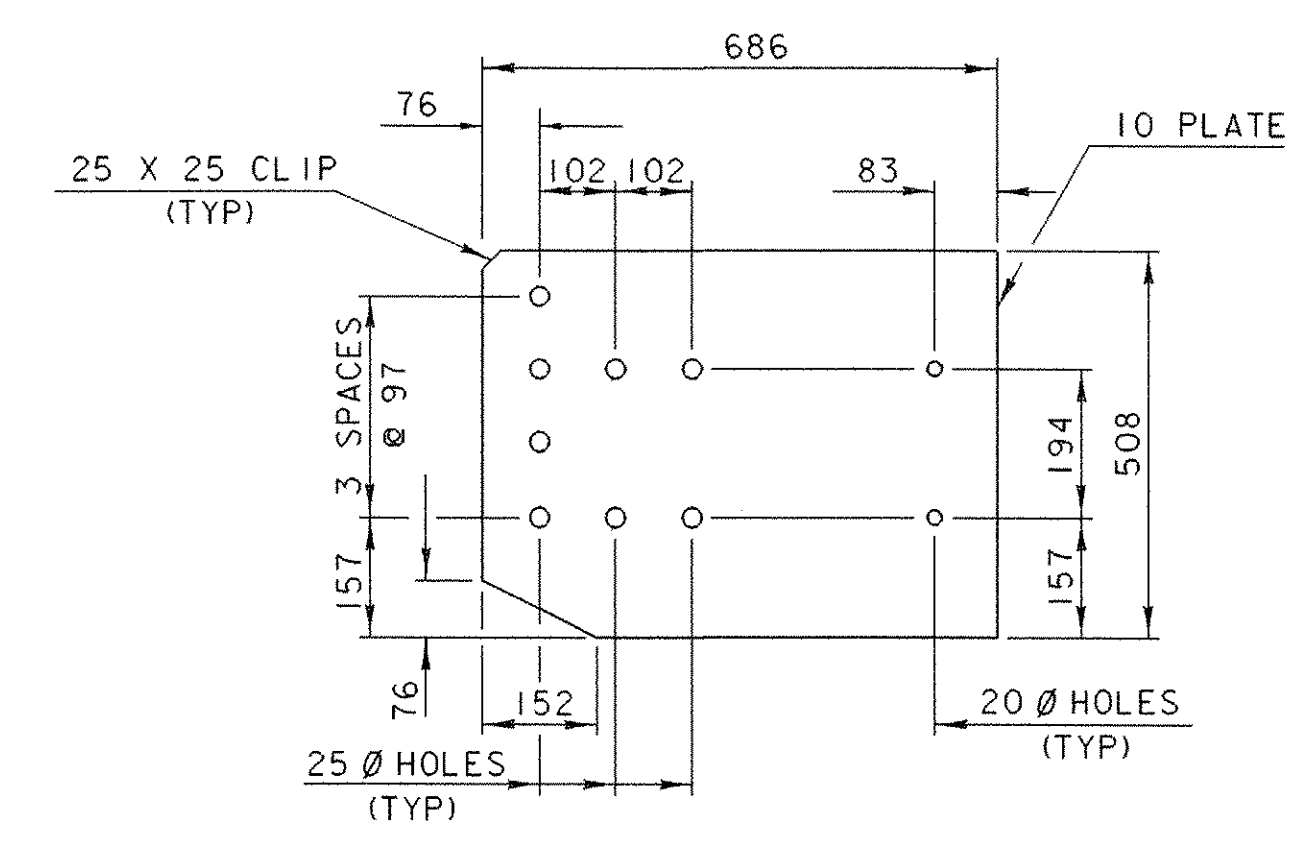


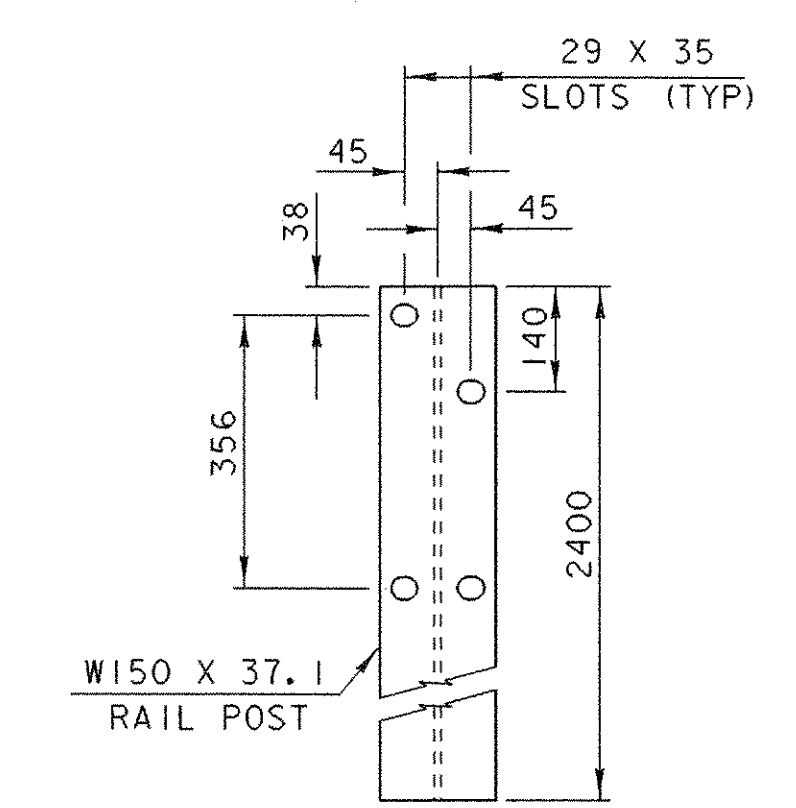
SECTION B-B
SCALE 1 : 10



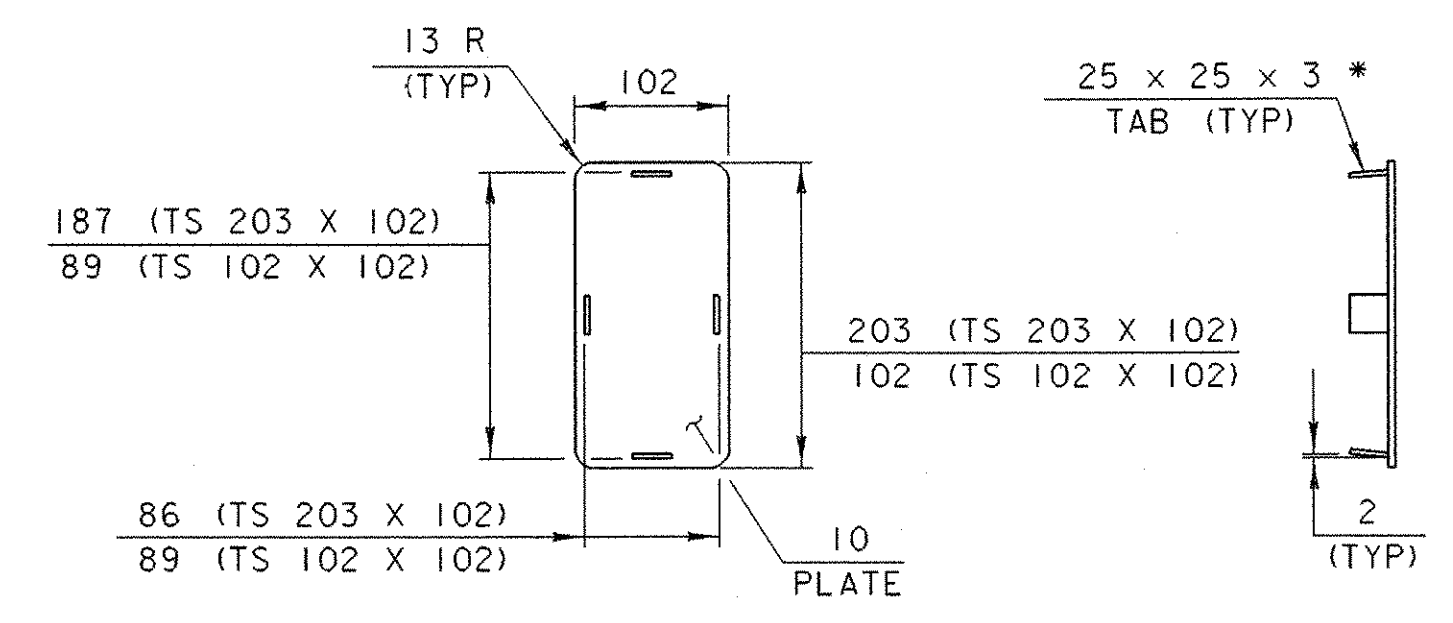
THRIE-BEAM TERMINAL CONNECTOR
SCALE 1 : 10



CONNECTION PLATE
SCALE 1 : 10

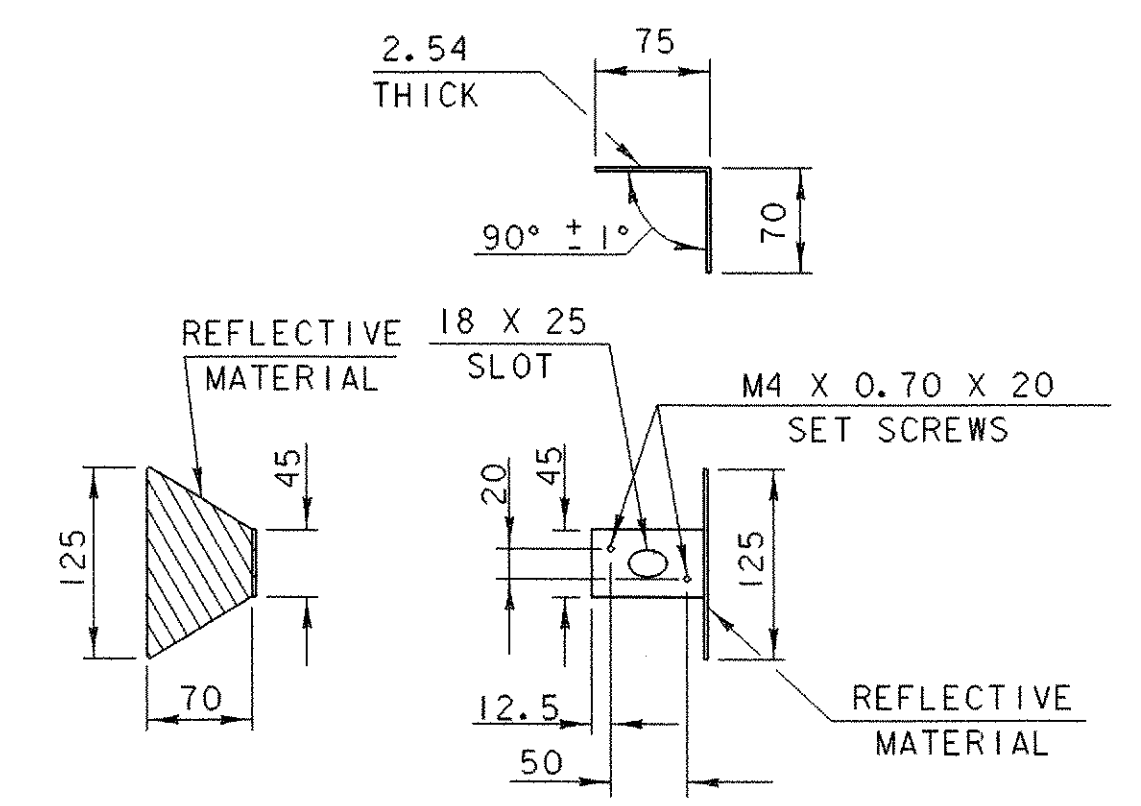


RAIL POST
SCALE 1 : 10

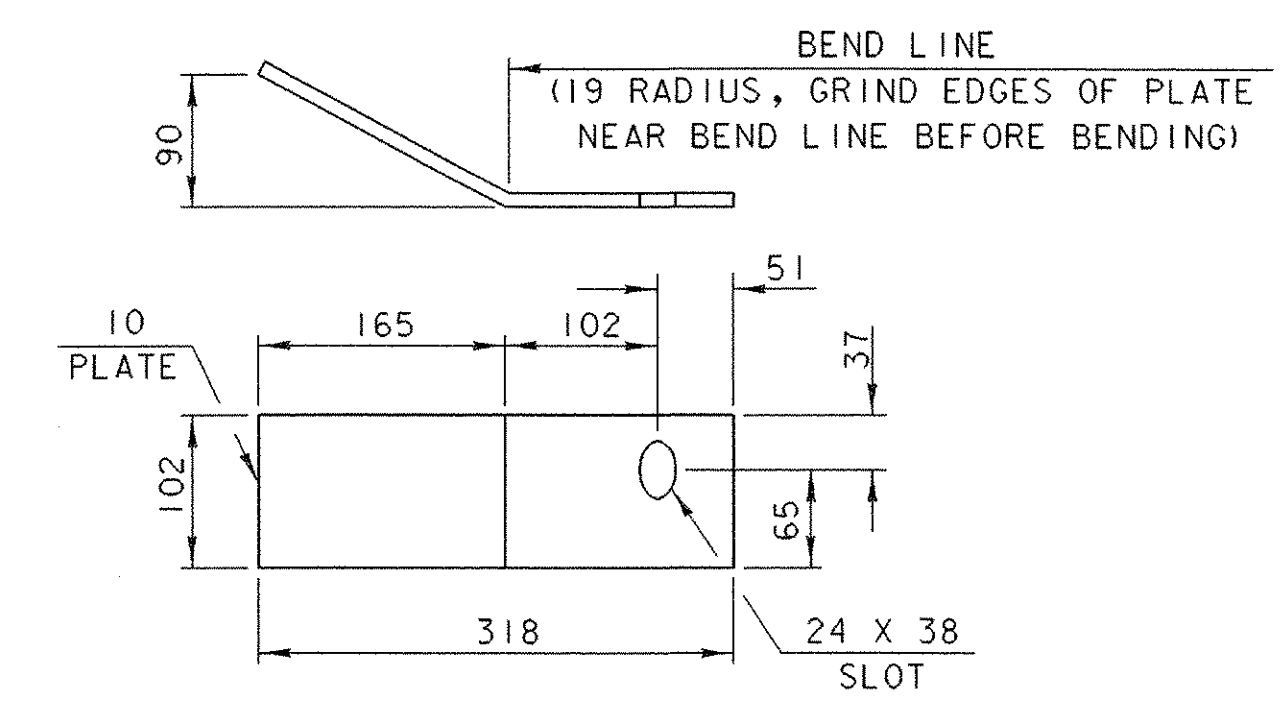


END CAP DETAIL
SCALE 1 : 5

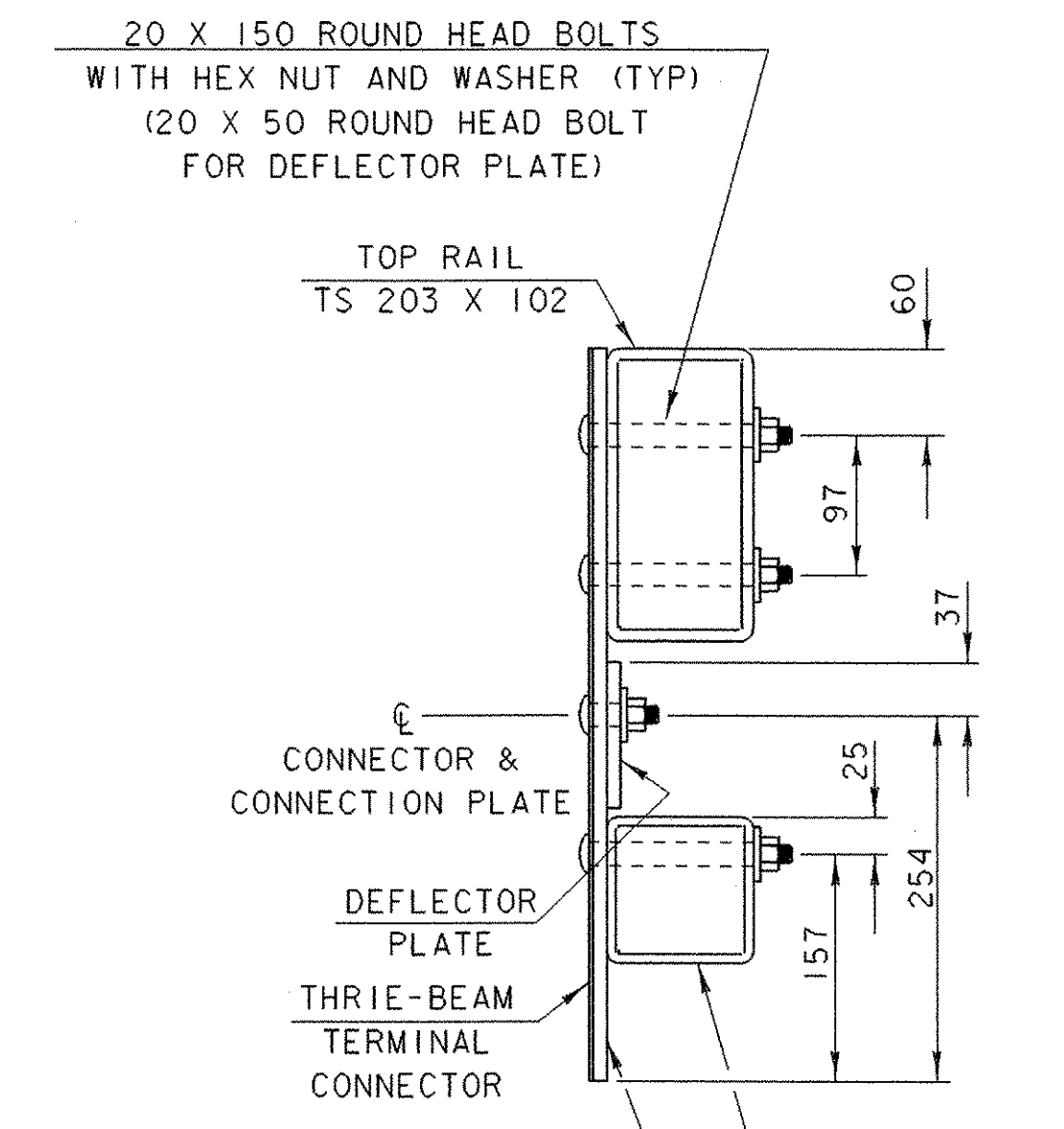
* WELD TABS TO END CAP PLATE IN TAPERED POSITION SO CAP CAN BE JAMMED INTO END OF RAIL TUBE.



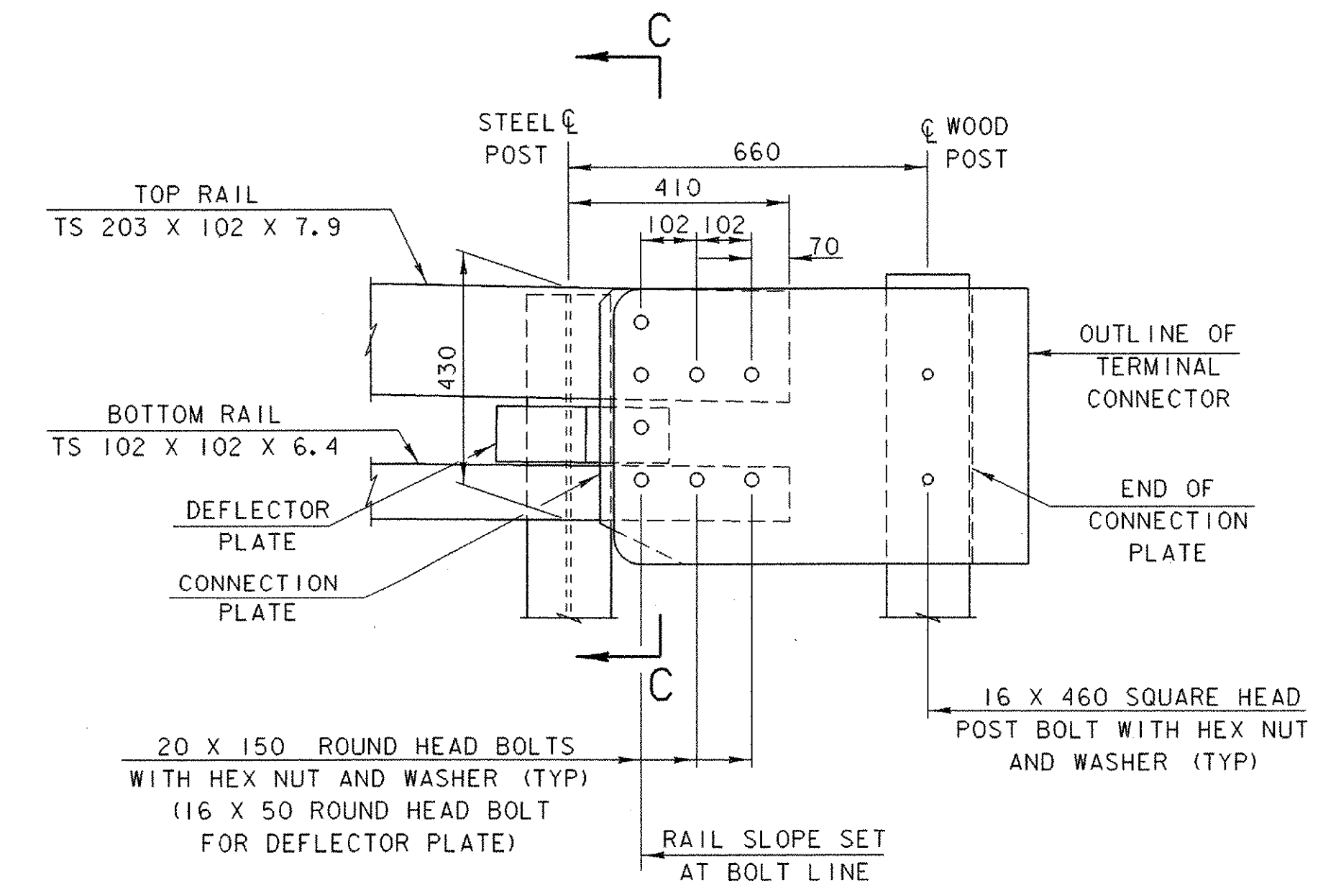
DELINEATION DEVICE DETAIL
SCALE 1 : 5



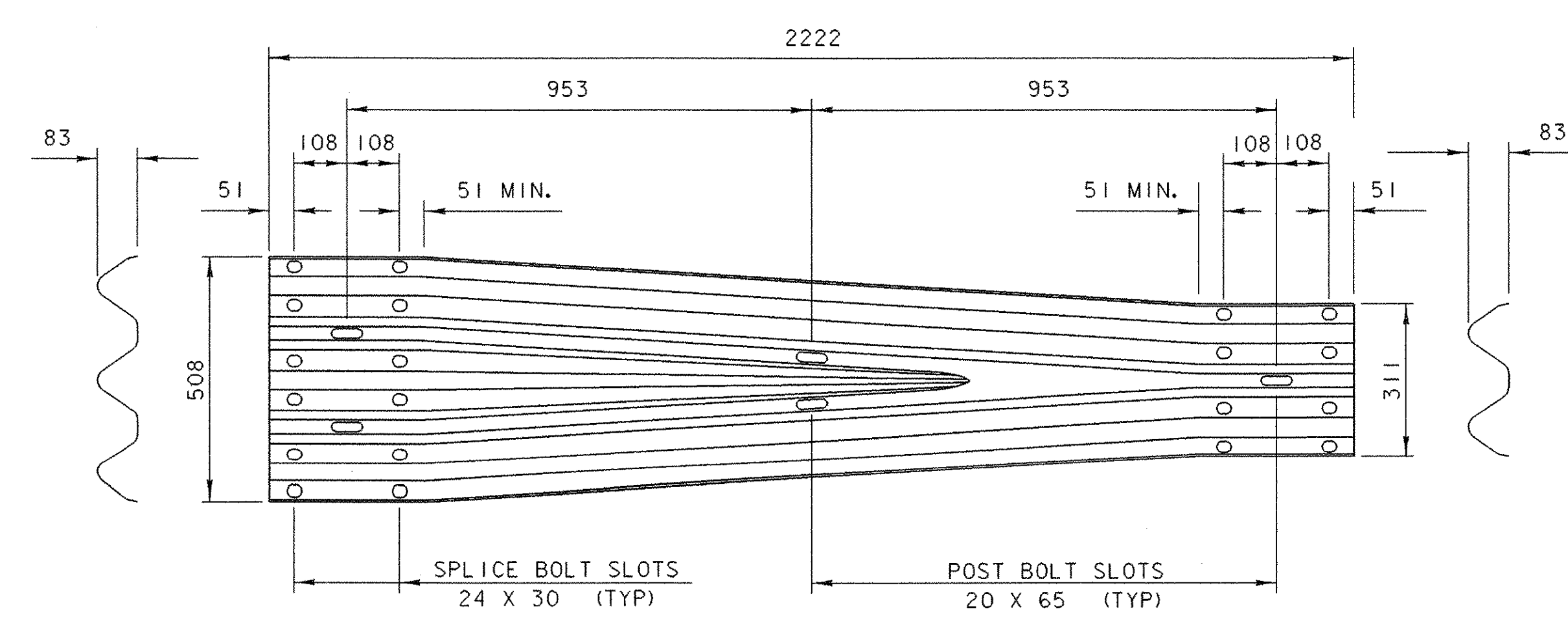
DEFLECTOR PLATE DETAIL
SCALE 1 : 5



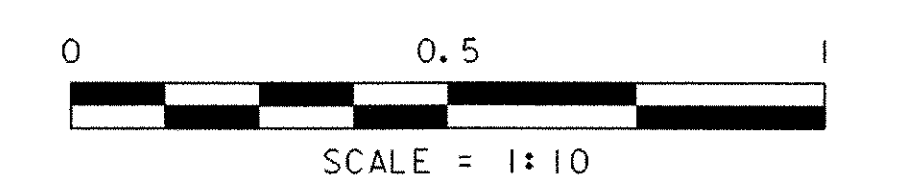
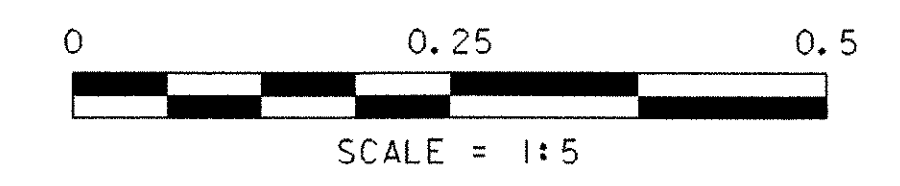
SECTION C-C
SCALE 1 : 5



DETAIL "C"
SCALE 1 : 10



THRIE-BEAM TO W-BEAM TRANSITION SECTION
SCALE 1 : 10



PROJECT NAME:	BARTON	PLOT DATE:	03-JAN-2002
PROJECT NUMBER:	STP 0113 (58) S	DRAWN BY:	T.G. ANDERSON
FILE NAME:	96c116/STRUCTURES/sc116rail.dgn	DESIGNED BY:	W.B. SYMONDS
IPARM NAME:	96c116/STRUCTURES/sc116rail2.i	CHECKED BY:	W.B. SYMONDS
PROJECT LEADER:	C.P. WILLIAMS	APPROACH RAIL DETAILS	SHEET 80 OF 120